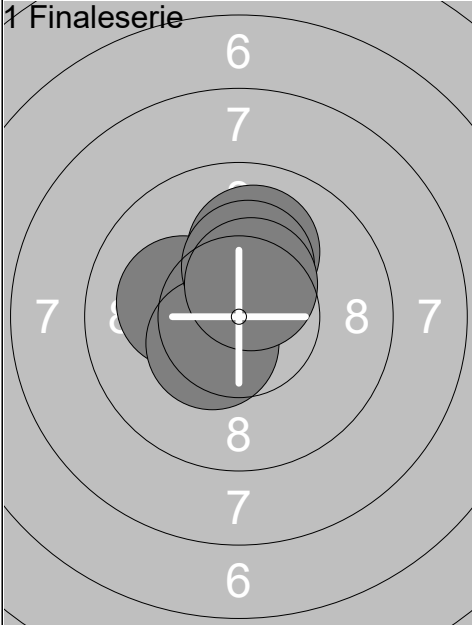
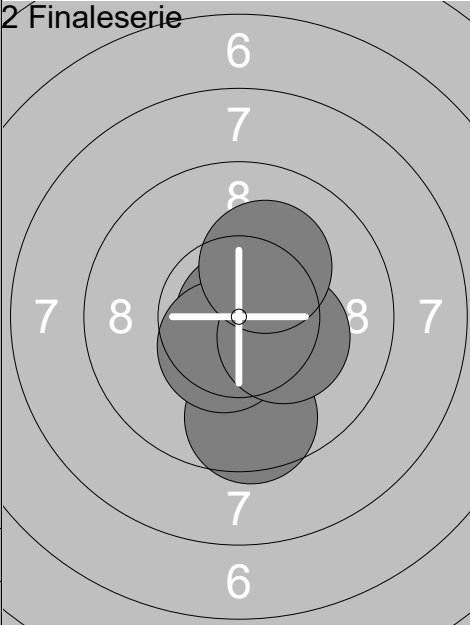

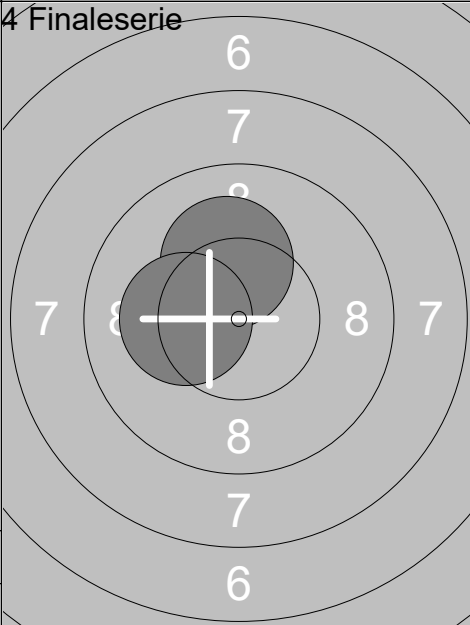

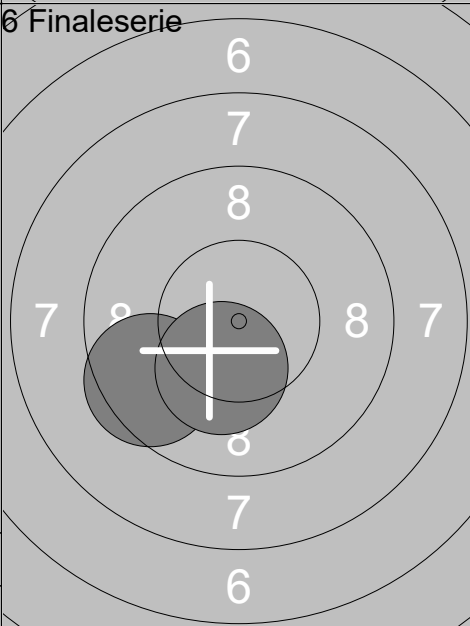
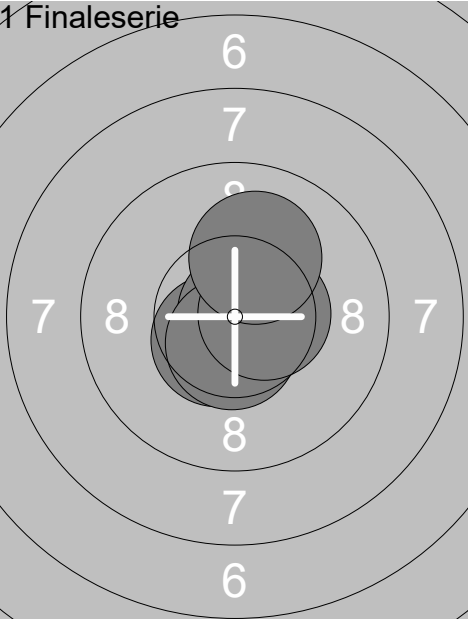
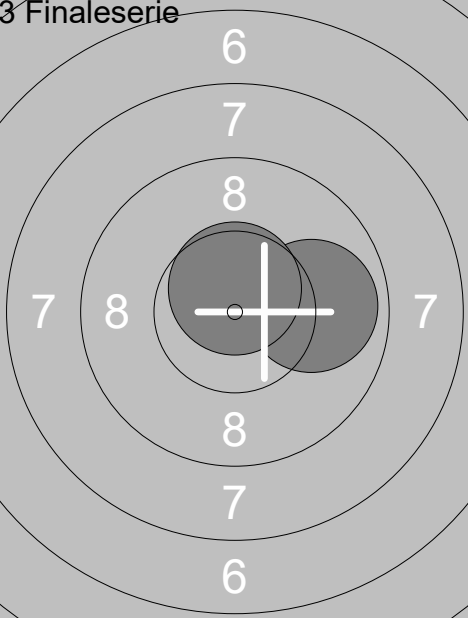



Relay	Lane	Natasja Buchholdt			
Day 2 Final		Ølstykke Skytteforening	W		
23.01.2021		GMO2021 Day 2	Gundsøllille OPEN 2021		
1 Finaleserie		1: 10.1 ← 2: 10.4x ↙ 3: 10.0 ↑ 4: 10.2x ↑ 5: 10.5x ↑	2 Finaleserie		1: 9.6 ↓ 2: 10.9x → 3: 10.5x ↙ 4: 10.3x → 5: 10.2x ↑
	Series 51.2		Series 51.5		
	51.2		102.7		
3 Finaleserie		1: 10.5x → 2: 10.7x ↑	4 Finaleserie		1: 10.2x ↑ 2: 10.2x ←
	Series 21.2		Series 20.4		
	123.9		144.3		
5 Finaleserie		1: 10.5x ↙ 2: 10.8x ↑	6 Finaleserie		1: 9.5 ↙ 2: 10.2x ↙
	Series 21.3		Series 19.7		
	165.6		185.3		

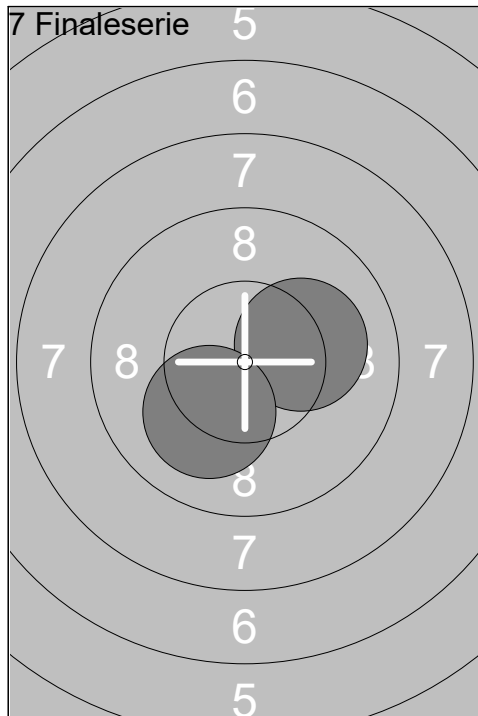
Gundsøllille Megalink Open 2021

Relay	Lane	Stine Holtze Nielsen			
Day 2 Final		Sørslev Skytteforening	W		
23.01.2021		GMO2021 Day 2	Gundsøllille OPEN 2021		
1 Finaleserie		1: 10.6x ↘	2 Finaleserie		1: 10.3x ↗
		2: 10.4x ↘			2: 10.6x ↑
		3: 10.3x →			3: 9.8 →
		4: 10.4x ↓		4: 10.5x ←	
		5: 10.2x →		5: 10.6x ↖	
		Series 51.9		Series 51.8	
		51.9		103.7	
3 Finaleserie		1: 10.2x ←	4 Finaleserie		1: 9.9 →
		2: 10.4x ↗			2: 10.5x ↘
		Series 20.6			Series 20.4
		124.3		144.7	
5 Finaleserie		1: 10.3x ↑	6 Finaleserie		1: 10.5x ↓
		2: 10.2x ←			2: 10.1 →
		Series 20.5			Series 20.6
		165.2		185.8	
7 Finaleserie		1: 10.7x ↖	8 Finaleserie		1: 10.1 ↓
		2: 10.6x ↘			2: 10.4x →
		Series 21.3			Series 20.5
		207.1		227.6	

Gundsøllille Megalink Open 2021

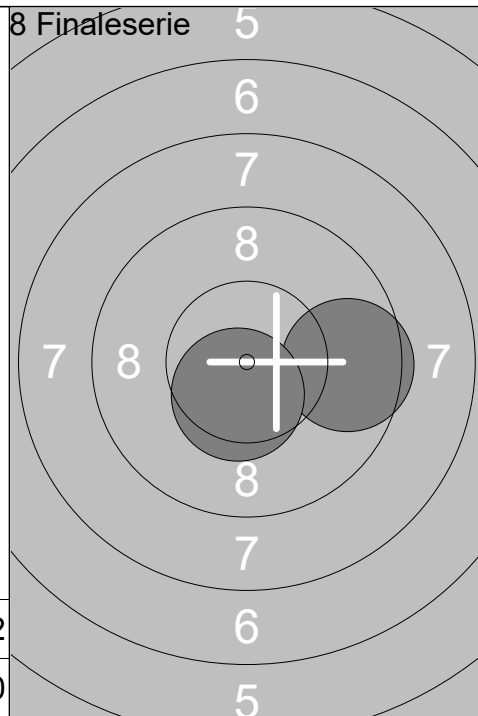
Relay	Lane	Rikke Mæng Ibsen	
Day 2 Final		Trehøje Skytteforening	W
23.01.2021		GMO2021 Day 2	Gundsøllille OPEN 2021
1 Finaleserie		1: 10.5x ↘ 2: 10.8x → 3: 10.6x ↓ 4: 10.5x → 5: 10.1 ↑	2 Finaleserie 1: 10.4x ↑ 2: 10.3x ↖ 3: 10.3x ↓ 4: 10.7x ↘ 5: 10.5x ↘
		Series 52.5	Series 52.2
		52.5	104.7
3 Finaleserie		1: 9.9 → 2: 10.6x ↑	4 Finaleserie 1: 10.8x ↘ 2: 10.5x ↗
		Series 20.5	Series 21.3
		125.2	146.5
5 Finaleserie		1: 10.6x ↓ 2: 10.4x ↓	6 Finaleserie 1: 10.7x ↖ 2: 10.6x ←
		Series 21.0	Series 21.3
		167.5	188.8

Gundsøllille Megalink Open 2021



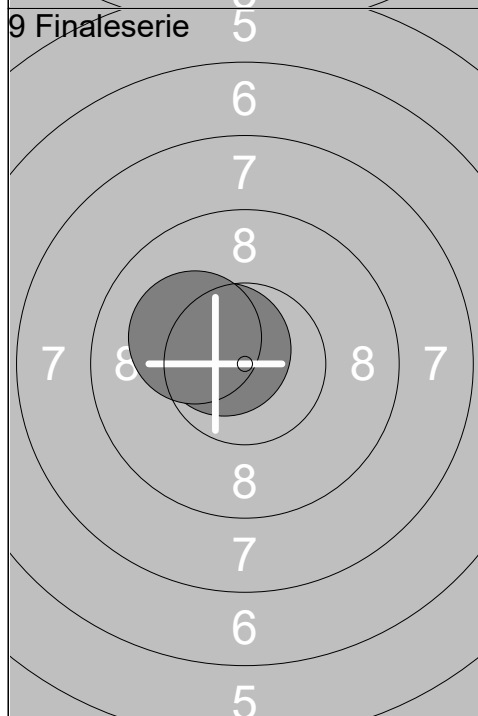
1: 10.1 →  
2: 10.1 ↙

Series 20.2  
209.0



1: 9.6 →  
2: 10.5x ↙

Series 20.1  
229.1



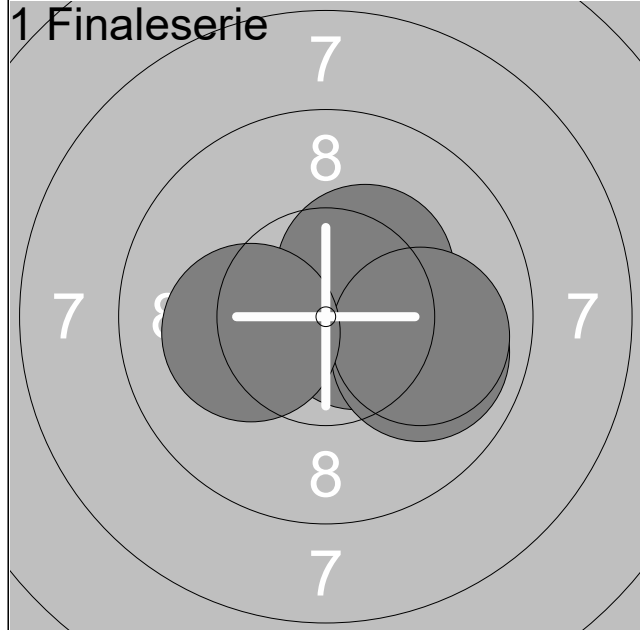
1: 10.6x ↙  
2: 10.2x ↙

Series 20.8  
249.9

Relay <b>1</b>	Lane <b>4</b>	<b>Betina Ljunggren Petersen</b>
-------------------	------------------	----------------------------------

Day 2 Final	Ølstykke Skytteforening	W
-------------	-------------------------	---

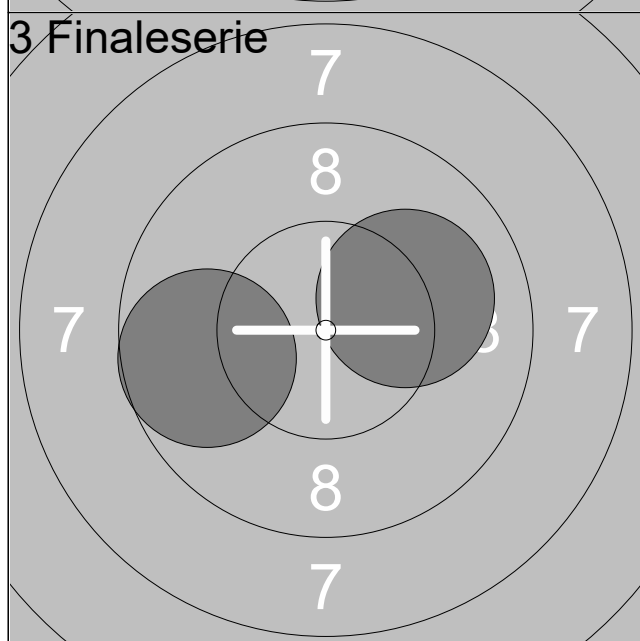
23.01.2021	GMO2021 Day 2	Gundsøllille OPEN 2021
------------	---------------	------------------------



1:	10.6x	→
2:	10.3x	↗
3:	9.9	→
4:	9.9	→
5:	10.1	←
<b>Series</b>		<b>50.8</b>
		<b>50.8</b>

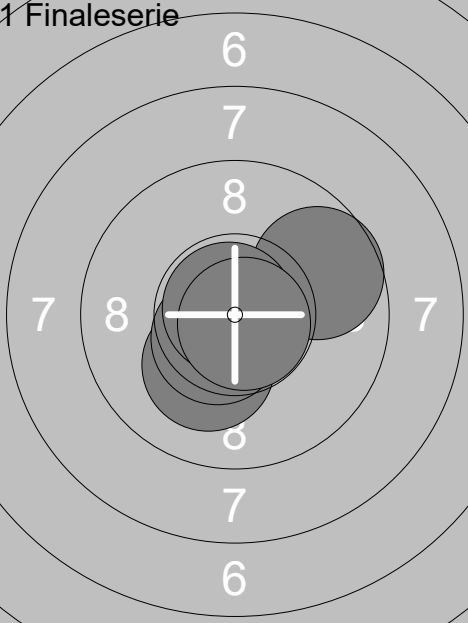




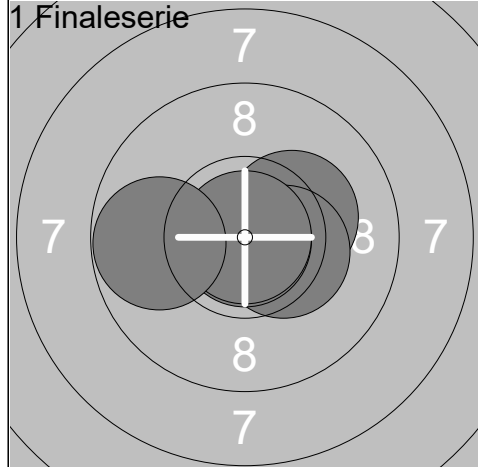
1:	10.4x	←
2:	10.1	↗
3:	10.1	→
4:	10.7x	↘
5:	9.8	↗
<b>Series</b>		<b>51.1</b>
		<b>101.9</b>



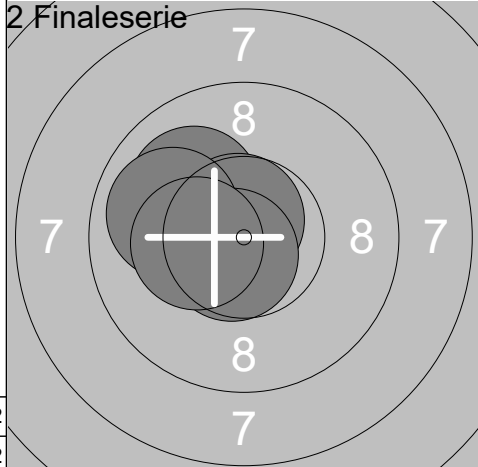
1:	10.0	↗
2:	9.7	←
<b>Series</b>		<b>19.7</b>
		<b>121.6</b>

**Gundsøllille Megalink Open 2021**

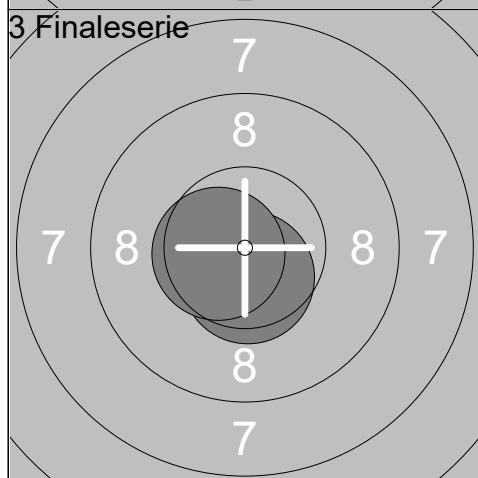
Relay <b>1</b>	Lane <b>5</b>	<b>Anna Skade Nielsen</b>	
Day 2 Final		Sørslev Skytteforening	W
23.01.2021		GMO2021 Day 2	Gundsøllille OPEN 2021
1 Finaleserie		1: 10.2x ↘ 2: 9.7 → 3: 10.5x ↘ 4: 10.8x ↖ 5: 10.7x ↘	2 Finaleserie 1: 10.1 ↗ 2: 9.7 → 3: 10.5x ↓ 4: 10.1 → 5: 10.2x ↗
		Series 51.9	Series 50.6
		51.9	102.5
3 Finaleserie		1: 10.5x → 2: 10.8x ↘	4 Finaleserie 1: 10.6x ↖ 2: 10.2x ↗
		Series 21.3	Series 20.8
		123.8	144.6
5 Finaleserie		1: 10.5x ↘ 2: 10.0 ↘	
		Series 20.5	
		165.1	



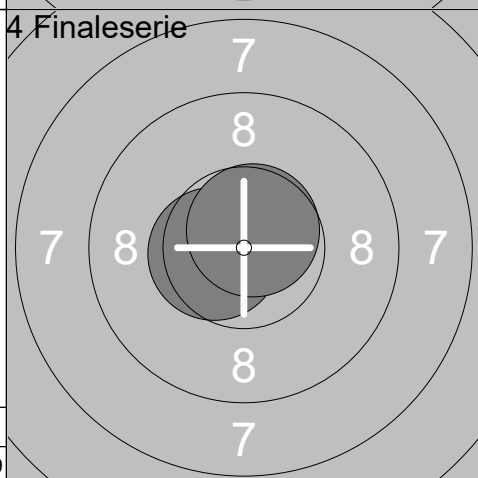
1:	10.2x	➔
2:	10.4x	➔
3:	10.9x	↓
4:	10.9x	
5:	9.8	←
<b>Series</b>		52.2
		52.2



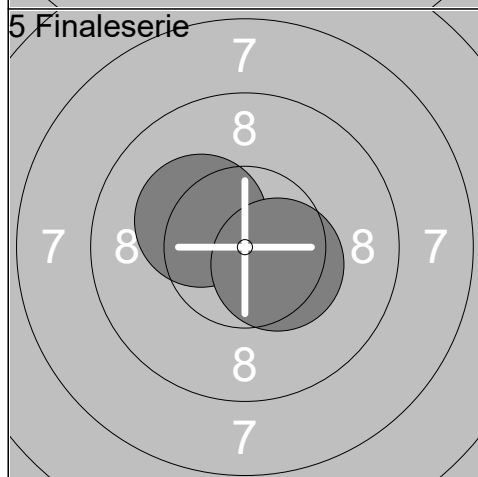
1:	10.0	↖
2:	10.7x	↑
3:	10.7x	↓
4:	9.9	←
5:	10.3x	←
<b>Series</b>		51.6
		103.8



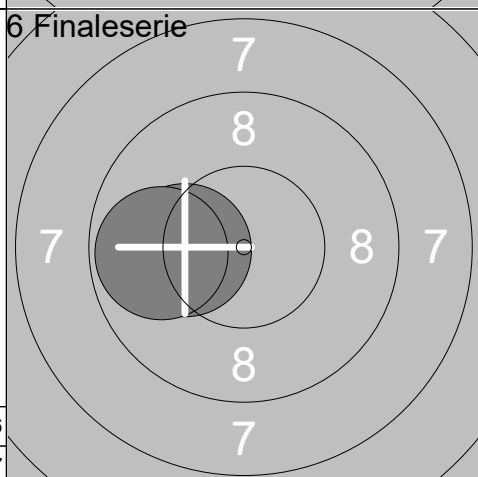
1:	10.5x	↓
2:	10.6x	←
<b>Series</b>		21.1
		124.9



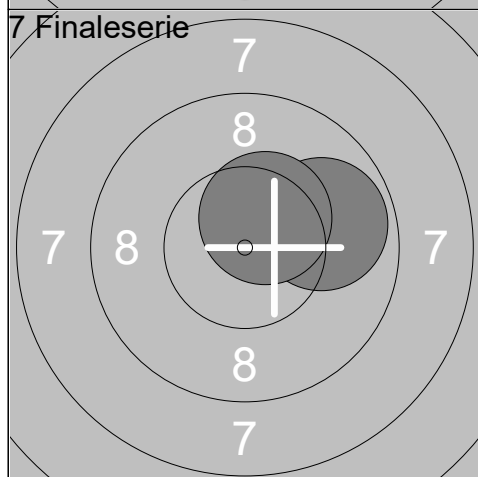
1:	10.5x	←
2:	10.7x	↗
<b>Series</b>		21.2
		146.1



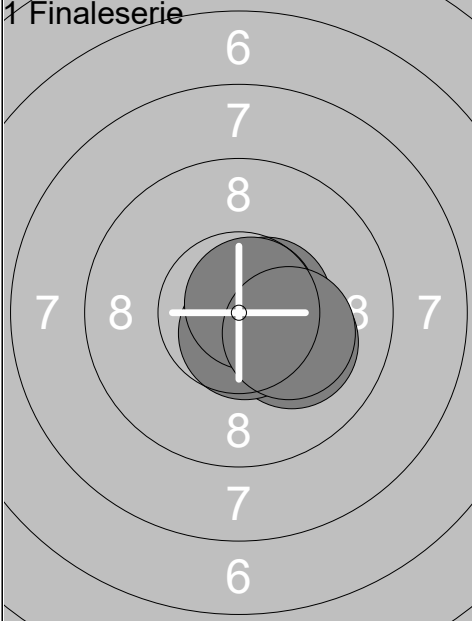

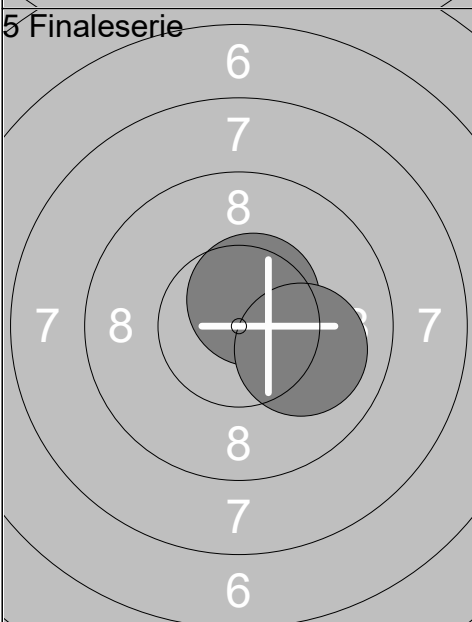
1:	10.2x	↖
2:	10.4x	➔
<b>Series</b>		20.6
		166.7



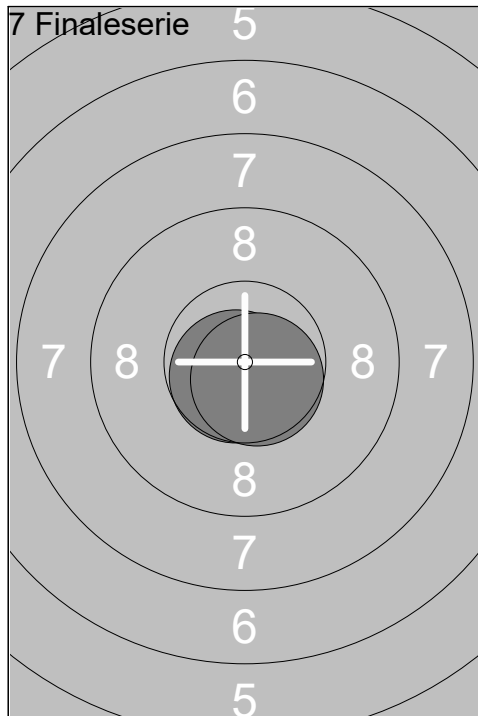
1:	10.1	←
2:	9.8	←
<b>Series</b>		19.9
		186.6



1:	9.8	➔
2:	10.4x	↗
<b>Series</b>		20.2
		206.8

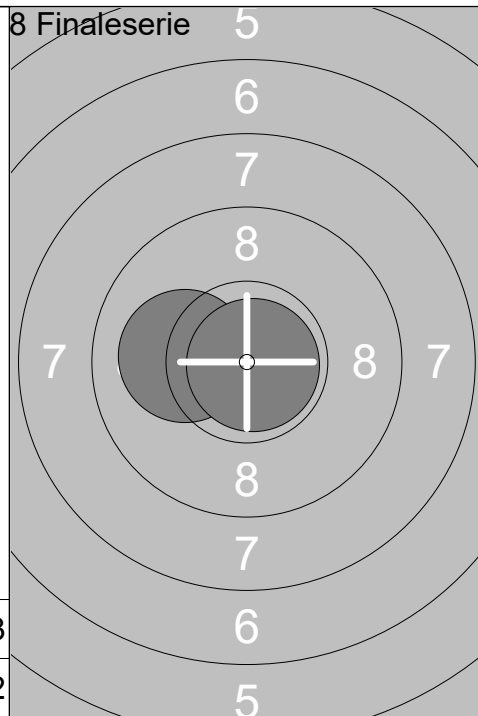
Relay <b>1</b>	Lane <b>7</b>	<b>Steffen H. Olsen</b>	
Day 2 Final		Ballerup skytteforening	M
23.01.2021		GMO2021 Day 2	Gundsøllille OPEN 2021
1 Finaleserie		1: 10.1 ➤ 2: 10.6x ↓ 3: 10.5x ➔ 4: 10.7x ↗ 5: 10.2x ➤	2 Finaleserie 1: 9.8 ← 2: 10.6x ➤ 3: 10.6x ↑ 4: 10.4x ↑ 5: 10.6x ➔
		Series 52.1	Series 52.0
		52.1	104.1
3 Finaleserie		1: 10.7x ↗ 2: 10.6x ➤	4 Finaleserie 1: 10.7x ➔ 2: 10.2x ←
		Series 21.3	Series 20.9
		125.4	146.3
5 Finaleserie		1: 10.5x ↗ 2: 10.0 ➤	6 Finaleserie 1: 10.7x ➔ 2: 10.4x ↖
		Series 20.5	Series 21.1
		166.8	187.9





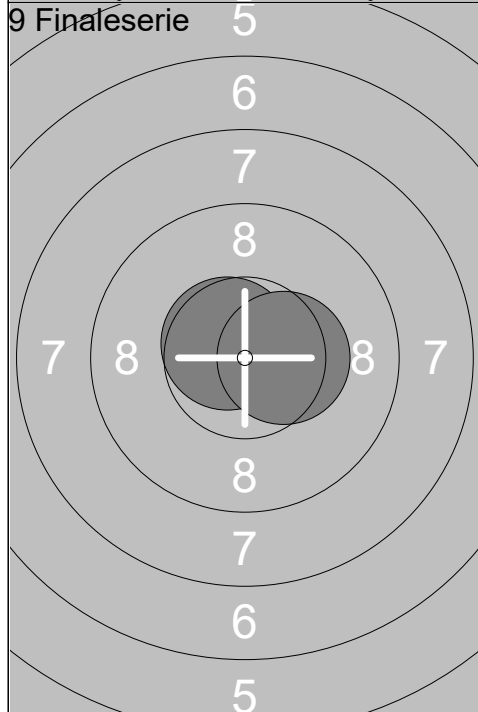
1: 10.7x ↙  
2: 10.6x ↘

Series 21.3  
209.2



1: 10.1 ←  
2: 10.8x ↘

Series 20.9  
230.1



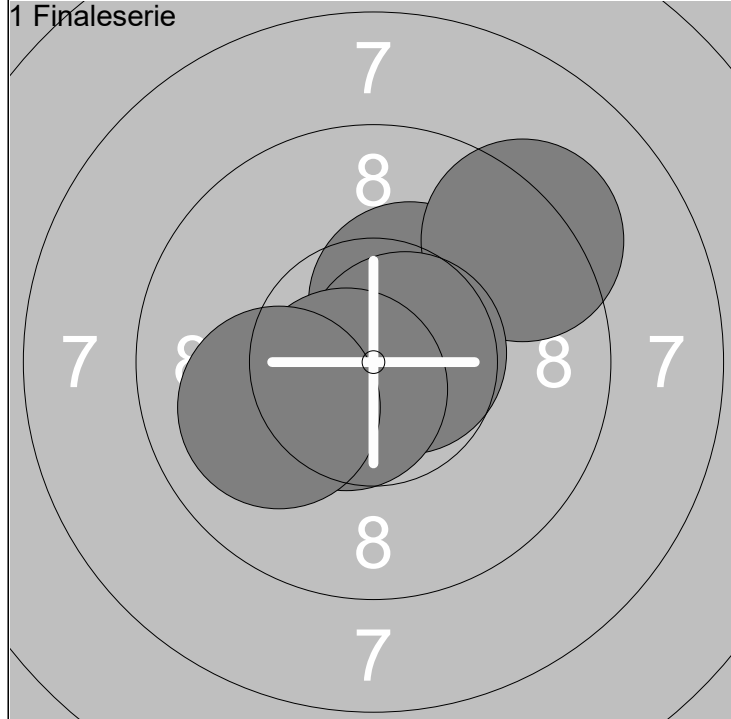
1: 10.6x ↖  
2: 10.4x →

Series 21.0  
251.1

Relay <b>1</b>	Lane <b>8</b>	<b>Niels H. Overgaard</b>
-------------------	------------------	---------------------------

Day 2 Final	Trehøje Skytteforening	M
-------------	------------------------	---

23.01.2021	GMO2021 Day 2	Gundsøllille OPEN 2021
------------	---------------	------------------------



1: 10.3x ↗	Series	50.7
2: 9.2 ↗		
3: 10.6x →	Series	50.7
4: 10.6x ↘		
5: 10.0 ←		

1: 10.0 ↓	Series	51.5
2: 10.1 ↘		
3: 10.4x ←	Series	102.2
4: 10.5x ↗		
5: 10.5x ←		



1: 10.7x ←	Series	21.0
2: 10.3x →		
	Series	123.2

1: 10.7x ↓	Series	20.8
2: 10.1 ↗		
	Series	144.0

Gundsøllille Megalink Open 2021