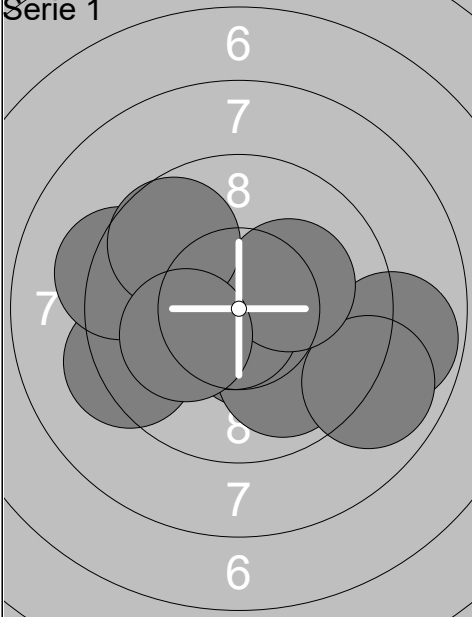
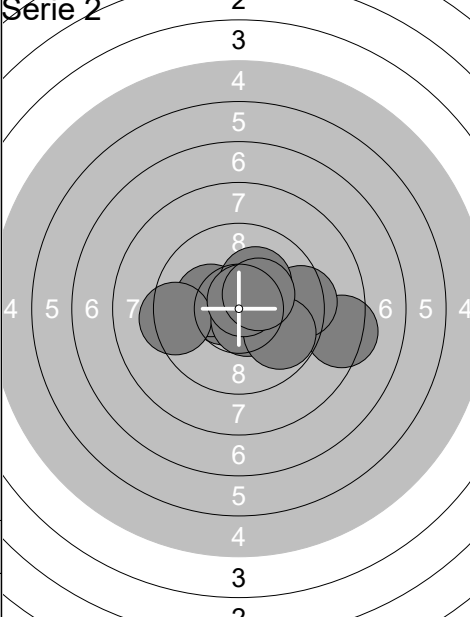
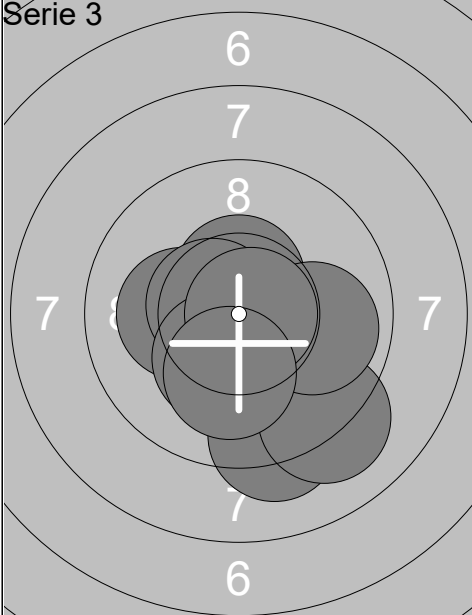
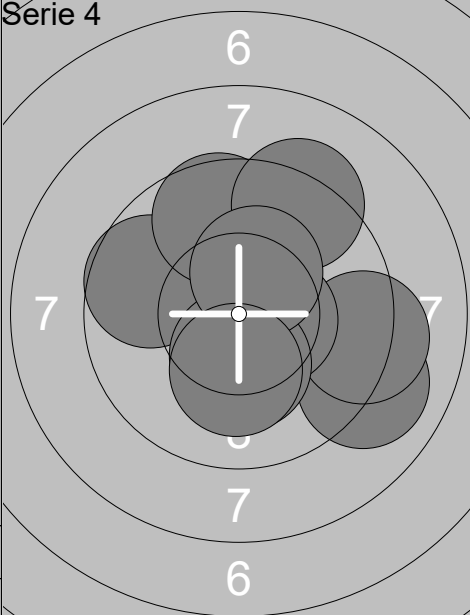
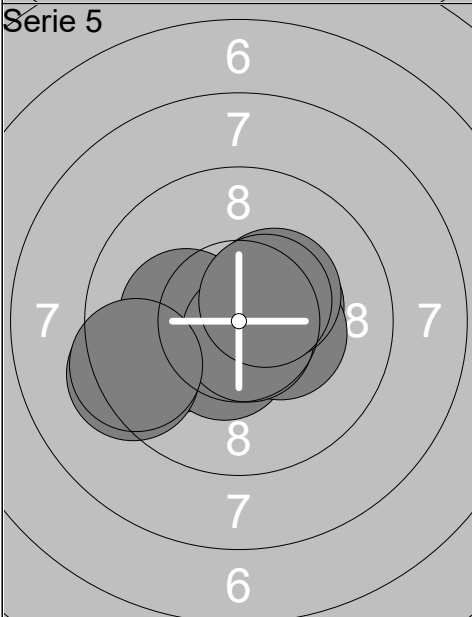
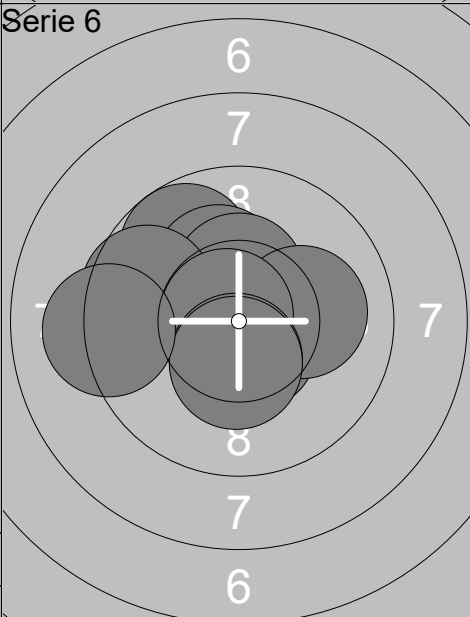


Relay	Lane	Maria Dahl	
Gundsøllille Megalink OPE	FHSS	WJ	
1.01.2020	GMO2020 Day 3	Gundsøllille OPEN 2020	
Serie 1	1: 10.1 ↙ 2: 10.3x← 3: 9.9 ↓ 4: 8.9 ↗ 5: 10.6x→ 6: 9.7 ↑ 7: 9.6 ➤ 8: 10.2x↘ 9: 10.0 ↑ 10: 10.0 ↗ Series 99.3 99.3	Serie 2	1: 9.4 → 2: 10.4x↙ 3: 10.0 ↗ 4: 10.5x↘ 5: 10.3x← 6: 9.8 ↘ 7: 9.8 ← 8: 10.4x↗ 9: 9.9 ← 10: 10.3x↗ Series 100.8 200.1
Serie 3	1: 10.0 ↓ 2: 9.3 ← 3: 9.2 ↗ 4: 9.7 ↑ 5: 9.6 ↑ 6: 9.0 ← 7: 10.3x↘ 8: 10.0 → 9: 10.7x↙ 10: 10.3x↘ Series 98.1 298.2	Serie 4	1: 10.4x↙ 2: 10.2x→ 3: 9.9 ↘ 4: 7.3 ➤ 5: 10.4x↗ 6: 10.3x→ 7: 9.5 ➤ 8: 9.8 ← 9: 10.5x↗ 10: 9.9 ↘ Series 98.2 396.4
Serie 5	1: 9.0 → 2: 10.6x↗ 3: 10.1 ↘ 4: 10.2x↘ 5: 10.3x↙ 6: 9.4 → 7: 9.1 → 8: 10.1 → 9: 10.2x↗ 10: 10.4x↗ Series 99.4 495.8	Serie 6	1: 10.2x↗ 2: 10.5x↗ 3: 10.7x→ 4: 10.0 → 5: 10.6x← 6: 9.8 ↗ 7: 7.4 ← 8: 9.7 ➤ 9: 10.5x↘ 10: 10.2x→ Series 99.6 595.4

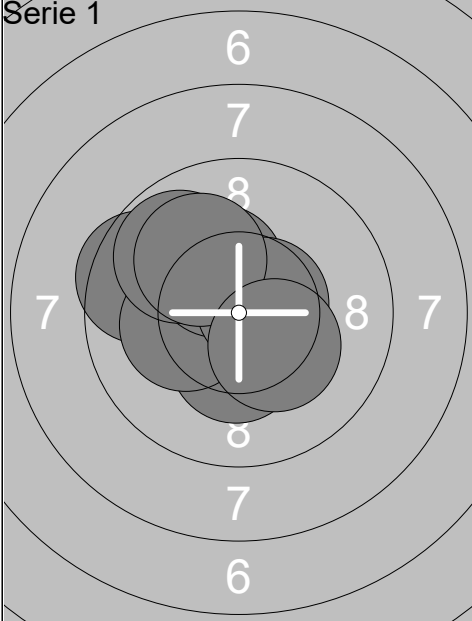
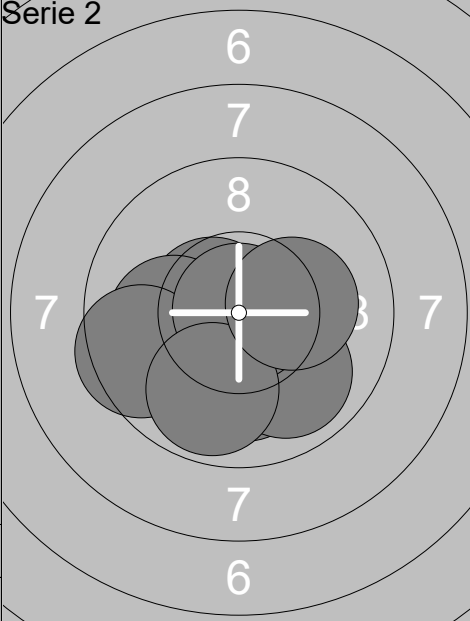
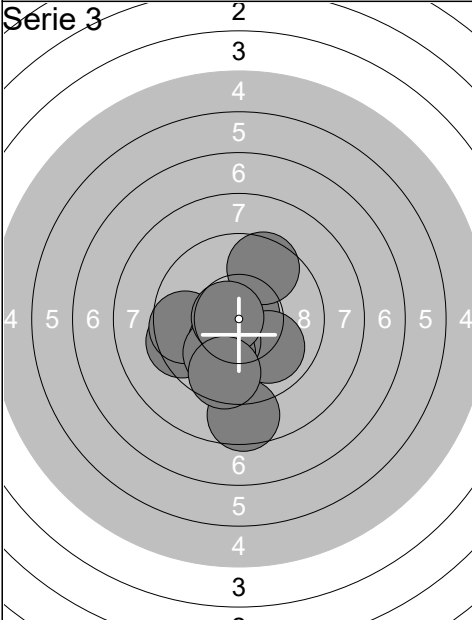
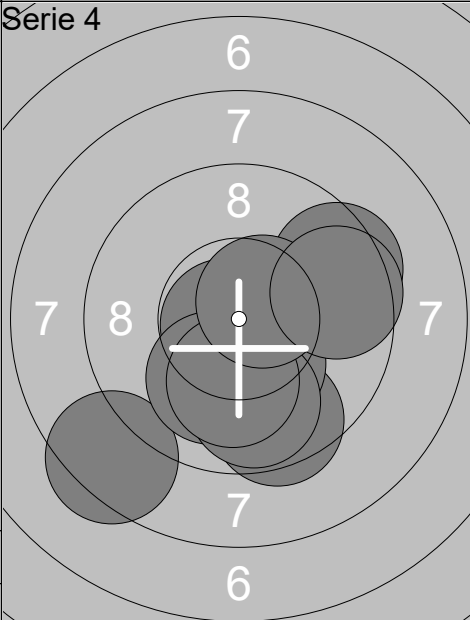
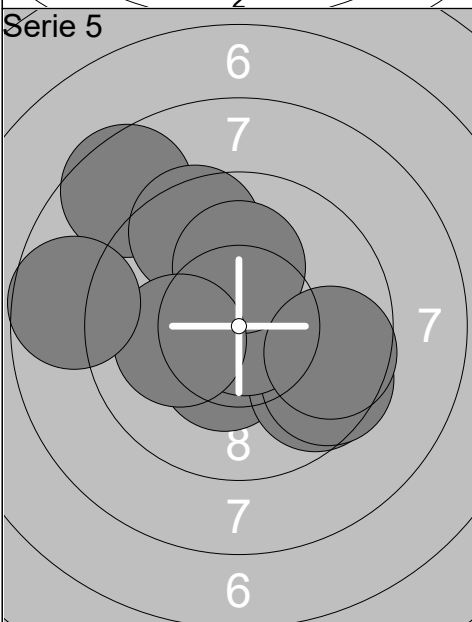
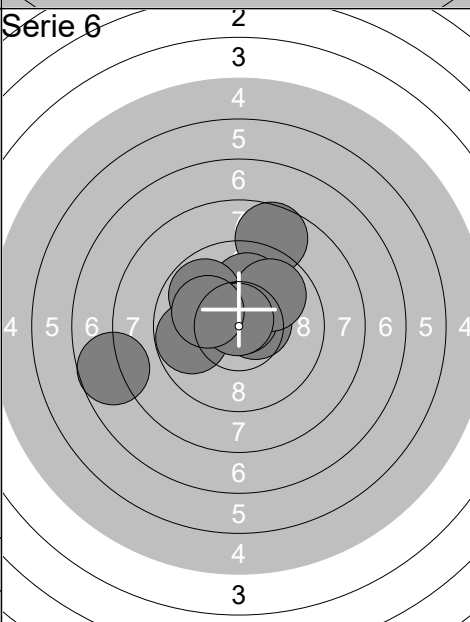
Relay	Lane	Kamilla Schlippe Jakobsen	
1	10	Gundsøllille Megalink OPE	Tingsted Skytteforening
1.01.2020	GMO2020 Day 3	Gundsøllille OPEN 2020	
Serie 1		1: 9.5 → 2: 9.9 ← 3: 10.0 ↘ 4: 10.0 → 5: 9.7 → 6: 10.5x ↘ 7: 10.6x ← 8: 10.2x ↗ 9: 10.0 ↗ 10: 10.1 ↘ Series 100.5 100.5	Serie 2 1: 10.7x ← 2: 10.5x → 3: 10.7x → 4: 10.2x → 5: 10.9x ↑ 6: 10.2x ↘ 7: 9.4 ↘ 8: 10.4x → 9: 9.2 → 10: 10.3x ← Series 102.5 203.0
Serie 3		1: 8.8 ← 2: 9.3 ↗ 3: 10.2x ↗ 4: 9.8 ← 5: 10.1 ↘ 6: 10.1 ↘ 7: 10.1 ↗ 8: 10.3x ← 9: 10.2x → 10: 10.2x ↑ Series 99.1 302.1	Serie 4 1: 9.7 ↘ 2: 10.8x ↘ 3: 10.3x ← 4: 10.1 ↘ 5: 10.4x ↘ 6: 10.2x ← 7: 10.7x ↘ 8: 10.0 ↗ 9: 9.2 ↘ 10: 10.0 ↘ Series 101.4 403.5
Serie 5		1: 10.1 ↗ 2: 10.2x → 3: 10.5x ↑ 4: 9.4 → 5: 9.6 ↑ 6: 10.5x ↘ 7: 10.7x ↗ 8: 9.9 → 9: 9.9 → 10: 10.5x → Series 101.3 504.8	Serie 6 1: 10.0 ↗ 2: 10.0 ↘ 3: 10.2x ↘ 4: 9.7 ↑ 5: 10.8x ↗ 6: 9.5 ← 7: 8.9 ↘ 8: 10.4x ← 9: 9.6 ↘ 10: 9.6 ↘ Series 98.7 603.5

Relay	Lane	Emma Klinck		
Gundsøllille Megalink OPE	BPI	WJ		
1.01.2020	GMO2020 Day 3	Gundsøllille OPEN 2020		
Serie 1		1: 10.4x ↓ 2: 9.9 ↓ 3: 8.8 → 4: 8.9 → 5: 9.3 ← 6: 10.7x ↓ 7: 9.3 ← 8: 10.2x → 9: 9.7 ↖ 10: 10.1 ← Series 97.3 97.3	Serie 2 	1: 10.6x ← 2: 10.2x ← 3: 9.4 ← 4: 8.3 → 5: 9.4 → 6: 10.2x ↗ 7: 10.6x ↓ 8: 9.8 → 9: 10.7x ↗ 10: 10.3x ↗ Series 99.5 196.8
Serie 3		1: 10.5x ↓ 2: 9.2 ↓ 3: 10.5x ↑ 4: 10.2x ← 5: 10.6x ← 6: 10.3x ↓ 7: 9.1 ↓ 8: 9.9 → 9: 10.8x → 10: 10.1 ↓ Series 101.2 298.0	Serie 4 	1: 9.0 → 2: 9.7 ← 3: 10.4x ↓ 4: 9.2 → 5: 10.5x → 6: 10.3x ↓ 7: 9.6 ↑ 8: 9.2 ↗ 9: 10.3x ↗ 10: 10.2x ↓ Series 98.4 396.4
Serie 5		1: 10.4x → 2: 9.9 ← 3: 10.5x ↓ 4: 10.2x ← 5: 10.4x → 6: 10.7x ↓ 7: 10.3x ↗ 8: 10.5x ↗ 9: 9.3 ← 10: 9.4 ← Series 101.6 498.0	Serie 6 	1: 9.7 ↖ 2: 10.6x ↓ 3: 10.2x ↗ 4: 10.4x ↑ 5: 9.6 ← 6: 10.1 → 7: 10.7x ← 8: 10.4x ↓ 9: 10.4x ↓ 10: 9.2 ← Series 101.3 599.3

Relay	Lane	Emma Nørholm Koch	
Gundsøllille Megalink OPE	Ballerup skytteforening	WJ	
1.01.2020	GMO2020 Day 3	Gundsøllille OPEN 2020	
Serie 1	1: 10.1 ↗ 2: 10.1 → 3: 10.1 ↗ 4: 10.2x↙ 5: 10.3x↙ 6: 10.1 ↓ 7: 10.3x ↑ 8: 10.2x→ 9: 10.7x→ 10: 10.6x↙ Series 102.7 102.7	Serie 2	1: 10.9x↙ 2: 10.5x ↓ 3: 10.5x ↑ 4: 10.6x ↗ 5: 10.7x↙ 6: 10.6x ↑ 7: 10.4x ↑ 8: 10.7x→ 9: 10.6x↙ 10: 10.6x↙ Series 106.1 208.8
Serie 3	1: 10.1 ↑ 2: 10.0 → 3: 10.1 ↖ 4: 10.3x ↓ 5: 10.2x ↓ 6: 10.4x ↑ 7: 10.7x ↓ 8: 10.3x ↗ 9: 10.2x↗ 10: 10.7x ↑ Series 103.0 311.8	Serie 4	1: 10.4x↙ 2: 10.6x ↗ 3: 10.3x ↖ 4: 10.4x ↓ 5: 10.2x→ 6: 10.5x↙ 7: 10.5x→ 8: 10.3x ↓ 9: 10.5x↗ 10: 10.1 ↓ Series 103.8 415.6
Serie 5	1: 10.6x→ 2: 10.1 ↓ 3: 10.2x ↓ 4: 10.5x→ 5: 10.4x↙ 6: 10.6x↗ 7: 10.3x→ 8: 10.6x↗ 9: 10.1 ← 10: 10.2x↙ Series 103.6 519.2	Serie 6	1: 10.7x ↓ 2: 10.5x↙ 3: 10.8x ↑ 4: 10.7x ↓ 5: 10.7x ↑ 6: 10.5x↙ 7: 9.8 ↙ 8: 10.3x→ 9: 10.4x↙ 10: 10.5x↙ Series 104.9 624.1

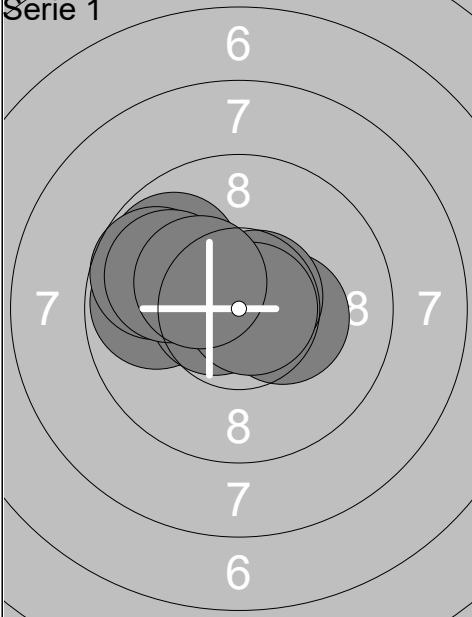
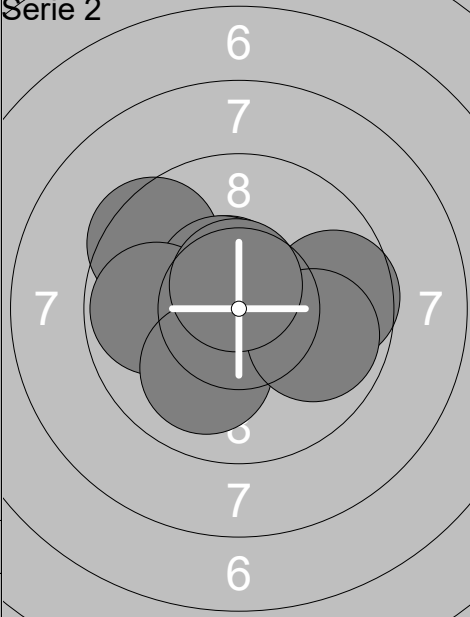
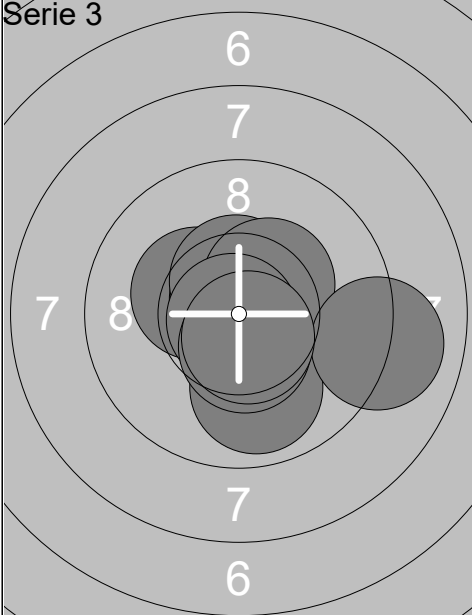
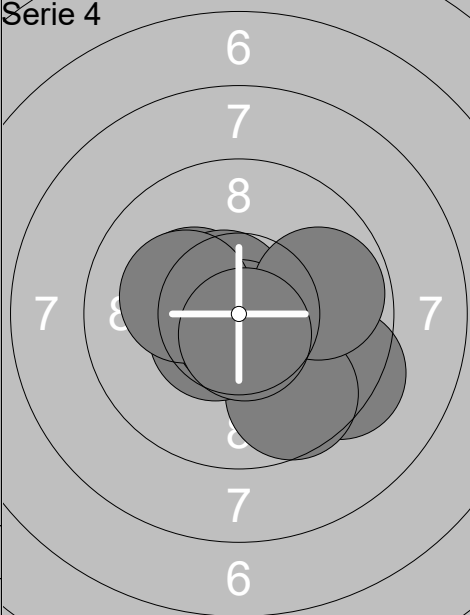
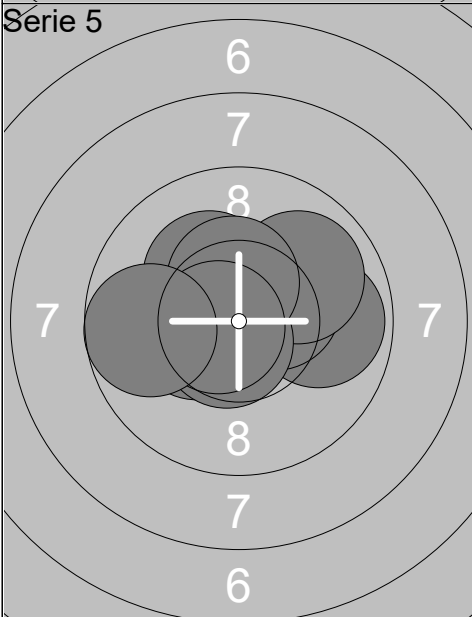
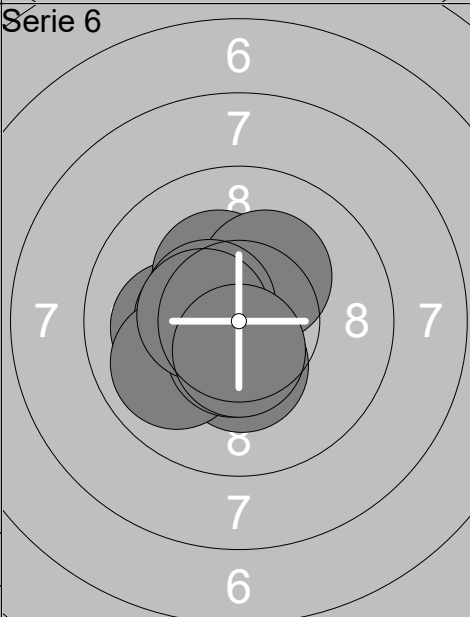
Relay	Lane	Helle Bertelsen	
1	13	Gundsøllille Megalink OPE	Viborg Skytte Forening
1.01.2020	GMO2020 Day 3	Gundsøllille OPEN 2020	
Serie 1		1: 10.3x ← 2: 10.3x ← 3: 9.7 ↓ 4: 10.4x ↑ 5: 10.3x ↖ 6: 10.2x → 7: 10.4x ↗ 8: 10.4x → 9: 10.9x 10: 10.7x ↘ Series 103.6 103.6	Serie 2 1: 10.5x ↙ 2: 10.4x → 3: 10.6x ↑ 4: 9.7 ↗ 5: 10.2x ↖ 6: 10.6x ↓ 7: 10.7x → 8: 10.8x ← 9: 9.9 ↗ 10: 10.4x ↖ Series 103.8 207.4
Serie 3		1: 10.0 ↑ 2: 10.5x ← 3: 10.2x ↑ 4: 10.0 ↑ 5: 9.6 ↙ 6: 10.6x ↑ 7: 10.2x → 8: 9.7 → 9: 10.4x ← 10: 10.5x → Series 101.7 309.1	Serie 4 1: 10.6x ← 2: 9.9 ↓ 3: 10.1 ↓ 4: 10.4x ← 5: 10.0 ↓ 6: 10.6x ↖ 7: 10.0 ↖ 8: 10.2x ↖ 9: 10.8x ↑ 10: 10.3x → Series 102.9 412.0
Serie 5		1: 10.0 ↑ 2: 9.9 ↖ 3: 10.3x → 4: 10.5x ↙ 5: 10.8x ↙ 6: 10.5x ↑ 7: 9.8 ↘ 8: 9.7 → 9: 10.0 ↑ 10: 10.7x ↑ Series 102.2 514.2	Serie 6 1: 10.0 ↓ 2: 9.8 ↓ 3: 9.7 → 4: 9.4 → 5: 10.4x → 6: 10.4x → 7: 10.3x ↓ 8: 10.0 ↖ 9: 9.5 ↗ 10: 10.2x → Series 99.7 613.9

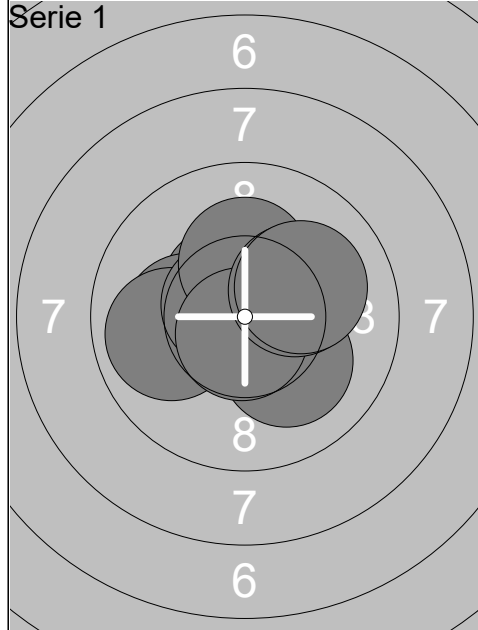
Relay	Lane	Karina Stette	
Gundsøllille Megalink OPE	Norges Skytterforbund	WJ	
1.01.2020	GMO2020 Day 3	Gundsøllille OPEN 2020	
Serie 1	1: 10.5x ↓ 2: 10.3x ↘ 3: 10.6x ↗ 4: 10.3x ↗ 5: 10.2x ↑ 6: 10.6x ↙ 7: 10.4x ↑ 8: 10.3x → 9: 10.7x ↑ 10: 9.8 ↗ Series 103.7 103.7	Serie 2	1: 10.8x ↓ 2: 10.0 ← 3: 10.5x ← 4: 10.4x ↓ 5: 10.6x ↓ 6: 10.1 ← 7: 10.3x ← 8: 10.1 ↓ 9: 10.2x ↑ 10: 10.2x ↙ Series 103.2 206.9
Serie 3	1: 10.6x ← 2: 10.4x ↗ 3: 10.8x → 4: 10.4x → 5: 9.9 → 6: 10.2x ↗ 7: 10.7x ↙ 8: 10.1 ↑ 9: 9.8 ↑ 10: 10.5x ↙ Series 103.4 310.3	Serie 4	1: 10.8x ← 2: 10.0 ↗ 3: 10.3x ↗ 4: 10.6x → 5: 10.6x ↓ 6: 10.4x ↑ 7: 10.8x ↙ 8: 10.2x ↑ 9: 10.7x ← 10: 10.1 ↗ Series 104.5 414.8
Serie 5	1: 10.2x ↗ 2: 10.3x ← 3: 10.2x ↓ 4: 10.5x ↗ 5: 10.5x ↓ 6: 10.3x ← 7: 10.5x ↑ 8: 10.5x ↓ 9: 10.4x ↓ 10: 10.1 ↗ Series 103.5 518.3	Serie 6	1: 10.5x → 2: 10.6x → 3: 10.4x ↘ 4: 8.1 → 5: 9.6 ↗ 6: 10.8x ← 7: 10.5x ↓ 8: 10.3x ↑ 9: 9.6 ↘ 10: 10.6x → Series 101.0 619.3

Relay	Lane	Rikke Bertelsen		
Gundsøllille Megalink OPE	Viborg Skytte Forening	WJ		
1.01.2020	GMO2020 Day 3	Gundsøllille OPEN 2020		
Serie 1		1: 10.4x ↘ 2: 10.3x ↓ 3: 9.5 ← 4: 10.5x ↘ 5: 10.2x ← 6: 10.3x ↗ 7: 10.6x → 8: 9.8 ↗ 9: 10.0 ↗ 10: 10.3x ↘ Series 101.9 101.9	Serie 2 	1: 10.4x ↘ 2: 10.6x ← 3: 10.1 ↓ 4: 9.9 ↘ 5: 10.0 ← 6: 9.5 ← 7: 10.8x → 8: 10.9x ↑ 9: 9.8 ↓ 10: 10.2x → Series 102.2 204.1
Serie 3		1: 10.8x ↗ 2: 9.9 ↘ 3: 9.4 ← 4: 9.6 ← 5: 10.3x ↘ 6: 8.6 ↓ 7: 9.6 ↗ 8: 10.0 ↓ 9: 10.6x ← 10: 9.6 ↓ Series 98.4 302.5	Serie 4 	1: 9.5 ↓ 2: 8.4 ↘ 3: 10.8x ← 4: 10.0 ↓ 5: 10.3x ↘ 6: 9.4 ↗ 7: 9.8 ↓ 8: 10.1 ↓ 9: 10.5x ↗ 10: 9.6 → Series 98.4 400.9
Serie 5		1: 10.4x ↘ 2: 9.6 ↘ 3: 8.5 ↗ 4: 9.5 ↘ 5: 9.5 ↗ 6: 10.8x → 7: 10.1 ↑ 8: 10.1 ← 9: 9.6 → 10: 8.7 ← Series 96.8 497.7	Serie 6 	1: 10.5x → 2: 8.6 ↗ 3: 10.0 ↑ 4: 9.8 ↖ 5: 7.7 ← 6: 10.7x ↗ 7: 9.7 ← 8: 9.9 ↗ 9: 10.8x ↑ 10: 10.1 ↖ Series 97.8 595.5

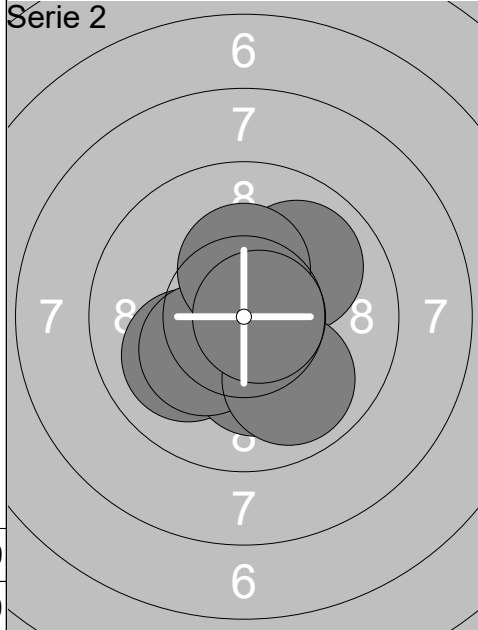
Relay	Lane	Trine Knudsen	
Gundsøllille Megalink OPE	Sørslev Skytteforening	WJ	
1.01.2020	GMO2020 Day 3	Gundsøllille OPEN 2020	
Serie 1	1: 10.9x 2: 10.5x ↘ 3: 9.7 → 4: 10.3x ↗ 5: 10.6x ↙ 6: 9.5 ↗ 7: 10.4x → 8: 10.2x ↓ 9: 10.3x ↙ 10: 10.4x ↓ Series 102.8 102.8	Serie 2	1: 9.4 ↗ 2: 9.9 ↑ 3: 10.2x ↙ 4: 9.7 ↙ 5: 9.7 ↖ 6: 10.5x ↙ 7: 9.8 ↗ 8: 9.7 ↗ 9: 9.8 → 10: 10.4x ↓ Series 99.1 201.9
Serie 3	1: 10.4x ↗ 2: 10.4x → 3: 10.2x ↓ 4: 9.8 ↓ 5: 9.9 ← 6: 9.8 ↓ 7: 9.6 → 8: 9.9 → 9: 10.4x ↓ 10: 10.0 ↗ Series 100.4 302.3	Serie 4	1: 10.2x ↙ 2: 10.0 → 3: 9.7 ↗ 4: 10.5x ↙ 5: 10.1 ← 6: 10.4x ↗ 7: 9.7 ↖ 8: 9.8 ↗ 9: 9.9 ↖ 10: 10.5x ↗ Series 100.8 403.1
Serie 5	1: 10.4x ↓ 2: 10.3x ↘ 3: 10.2x ↓ 4: 10.8x ↗ 5: 9.9 ↓ 6: 10.5x ↙ 7: 10.3x → 8: 10.2x ↗ 9: 10.1 ↖ 10: 10.2x ↓ Series 102.9 506.0	Serie 6	1: 9.9 ↗ 2: 10.7x ↓ 3: 10.5x ↓ 4: 9.8 ← 5: 9.9 ↓ 6: 10.2x ↙ 7: 9.8 ↓ 8: 10.5x ↓ 9: 9.7 ↑ 10: 10.5x ↘ Series 101.5 607.5

Gundsøllille Megalink Open 2020

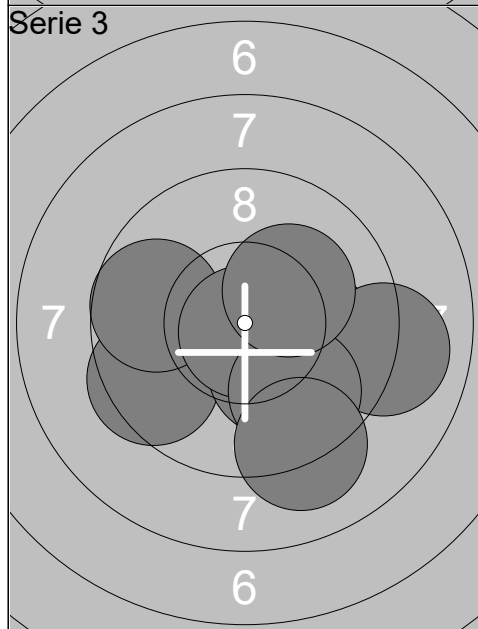
Relay	Lane	Amanda Carlsson		
Gundsøllille Megalink OPE	Gullabo SKF	WJ		
1.01.2020	GMO2020 Day 3	Gundsøllille OPEN 2020		
Serie 1		1: 10.3x → 2: 9.8 ↖ 3: 9.8 ↖ 4: 10.6x ↗ 5: 9.8 ← 6: 10.6x ← 7: 9.7 ↖ 8: 10.8x → 9: 9.9 ↖ 10: 10.3x ↖ Series 101.6 101.6	Serie 2 	1: 9.5 ↖ 2: 10.5x ↗ 3: 10.5x ↖ 4: 9.8 ← 5: 10.4x → 6: 10.9x → 7: 9.7 → 8: 10.0 ↓ 9: 9.8 → 10: 10.6x ↑ Series 101.7 203.3
Serie 3		1: 10.3x ↖ 2: 10.4x → 3: 10.7x ↑ 4: 10.5x ↑ 5: 10.4x ↗ 6: 10.8x ↙ 7: 9.9 ↓ 8: 9.0 → 9: 10.5x ↓ 10: 10.6x ↓ Series 103.1 306.4	Serie 4 	1: 10.3x ↖ 2: 9.4 ↘ 3: 10.3x ↘ 4: 9.6 ↓ 5: 10.6x ↖ 6: 10.5x ↙ 7: 10.8x ↓ 8: 9.8 → 9: 10.2x ↖ 10: 10.6x ↓ Series 102.1 408.5
Serie 5		1: 9.8 → 2: 10.5x ↗ 3: 10.4x ↗ 4: 9.9 ↗ 5: 10.3x ← 6: 10.2x ↖ 7: 10.6x ↓ 8: 10.4x ↑ 9: 10.6x ← 10: 9.7 ← Series 102.4 510.9	Serie 6 	1: 10.1 ← 2: 10.3x ↖ 3: 10.4x ← 4: 10.3x ↓ 5: 10.2x ↗ 6: 9.9 ↖ 7: 10.5x ↖ 8: 10.5x ↓ 9: 10.5x ↖ 10: 10.5x ↓ Series 103.2 614.1



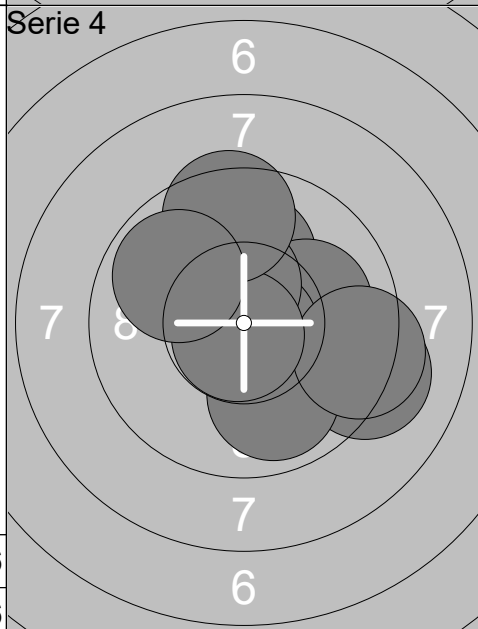
1:	10.5x ↗
2:	10.1 ↘
3:	10.2x ←
4:	9.9 ←
5:	10.4x ↑
6:	10.6x ↖
7:	10.2x ↑
8:	10.7x ↓
9:	10.2x ↗
10:	10.1 ↗
Series	102.9
	102.9



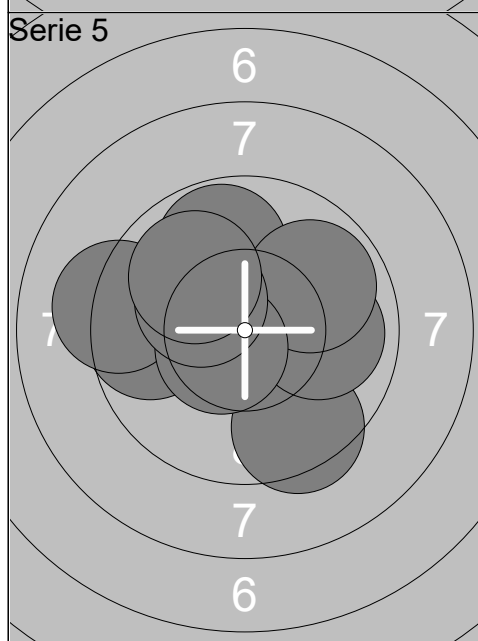
1:	10.9x ←
2:	10.6x ↘
3:	10.0 ↙
4:	10.4x ↗
5:	10.2x ↓
6:	10.2x ↙
7:	9.9 ↗
8:	10.3x ↑
9:	9.9 ↘
10:	10.7x →
Series	103.1
	206.0



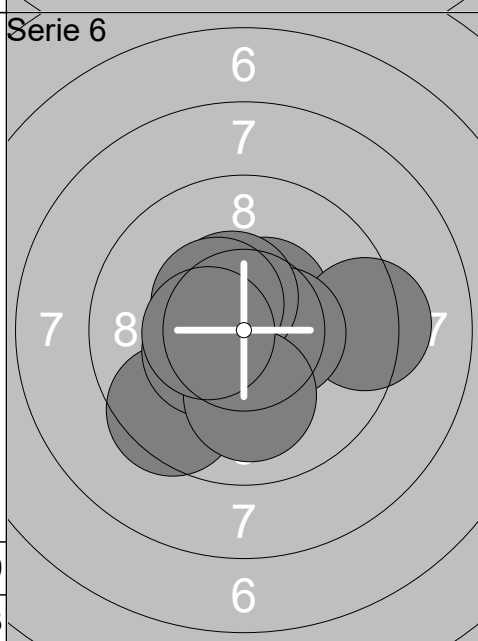
1:	9.5 ←
2:	10.1 →
3:	10.2x ↘
4:	9.7 ←
5:	10.2x ↓
6:	9.0 →
7:	10.8x ↓
8:	9.8 ↓
9:	10.2x ↗
10:	9.1 ↓
Series	98.6
	304.6



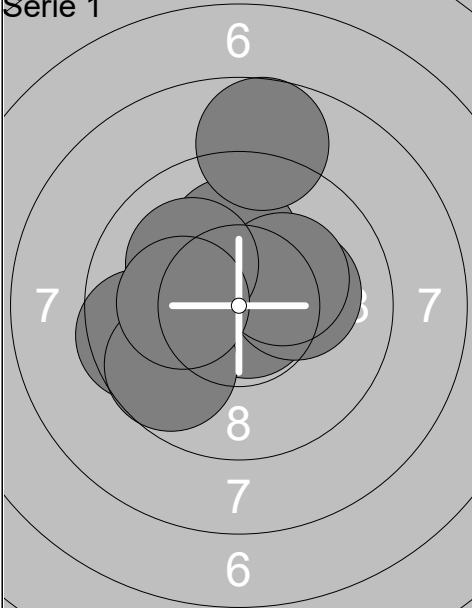
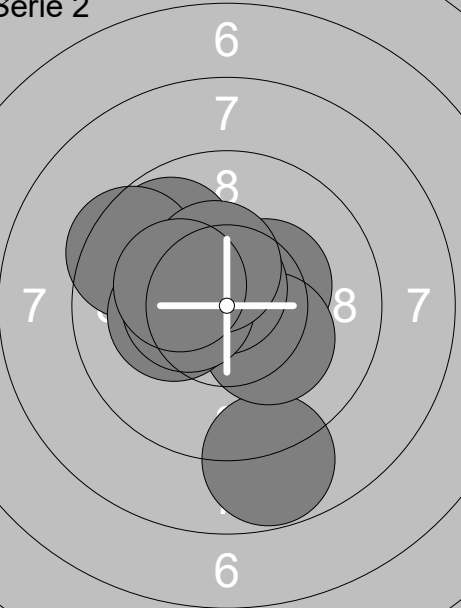
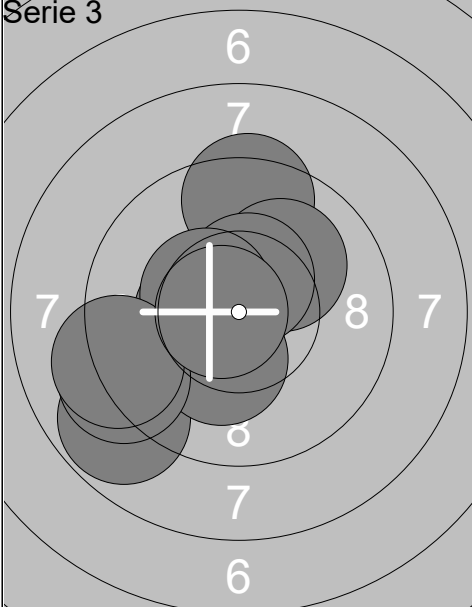
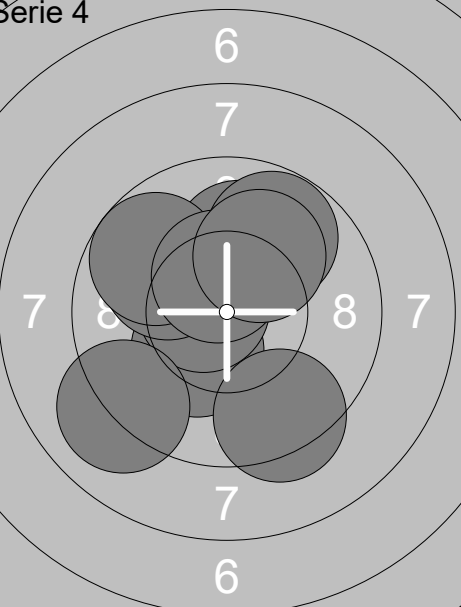
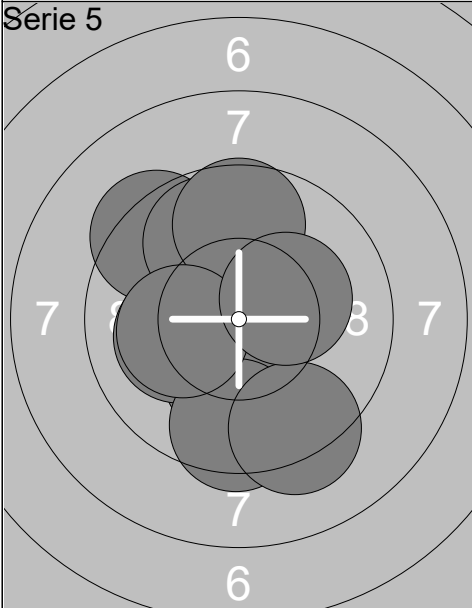
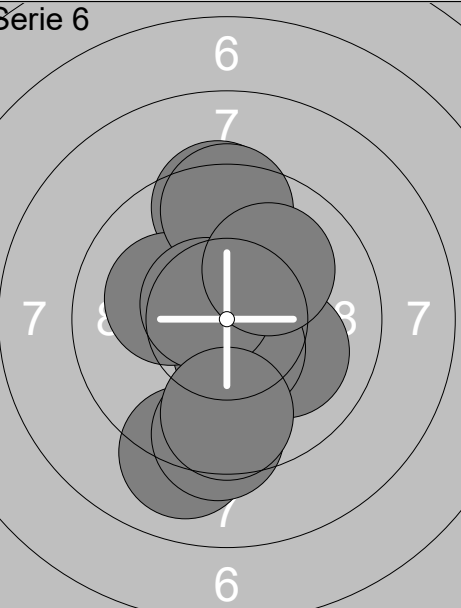
1:	9.2 →
2:	10.1 ↑
3:	10.1 →
4:	10.8x ↘
5:	10.4x ↑
6:	9.9 ↓
7:	9.3 →
8:	10.7x ↓
9:	9.5 ↑
10:	9.8 ↖
Series	99.8
	404.4

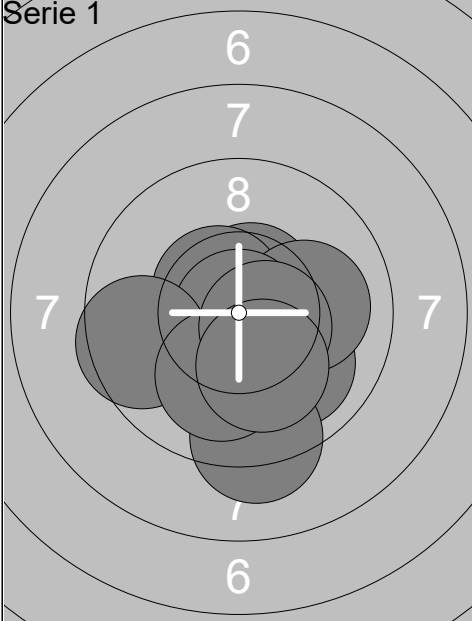
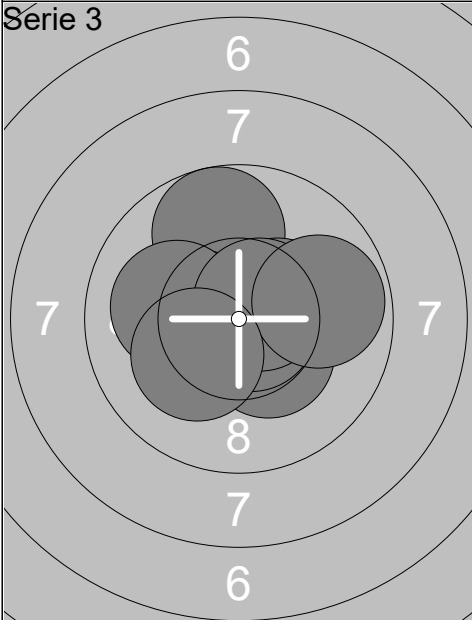
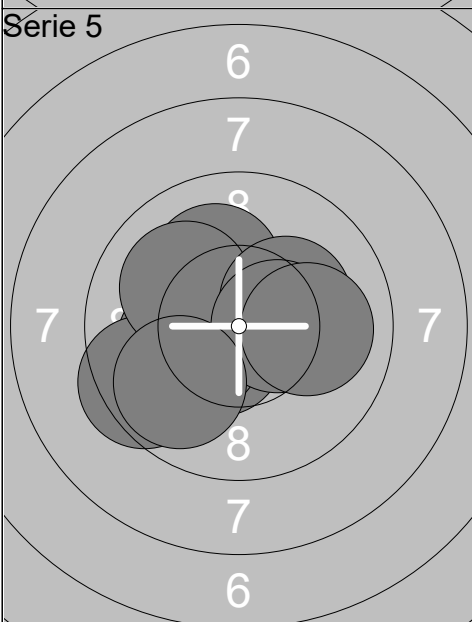


1:	10.4x →
2:	9.4 ↓
3:	9.7 ←
4:	9.2 ←
5:	9.9 →
6:	9.8 ↑
7:	9.9 ↗
8:	10.5x ↙
9:	10.2x ↖
10:	9.9 ↖
Series	98.9
	503.3



1:	10.5x ↗
2:	10.5x ↓
3:	9.3 →
4:	9.5 ↙
5:	10.5x →
6:	10.5x ↑
7:	10.4x ↙
8:	10.4x ↖
9:	10.0 ↓
10:	10.4x ←
Series	102.0
	605.3

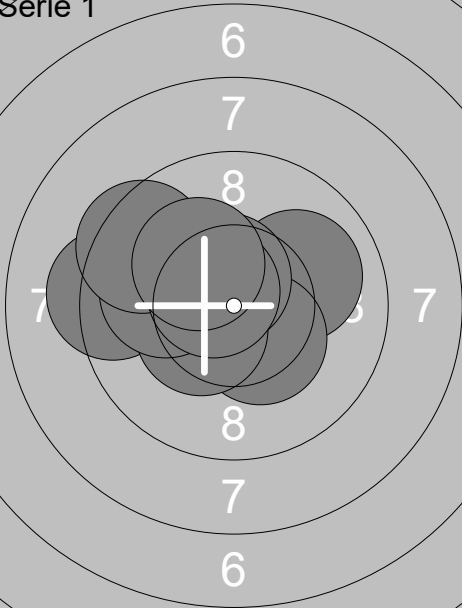
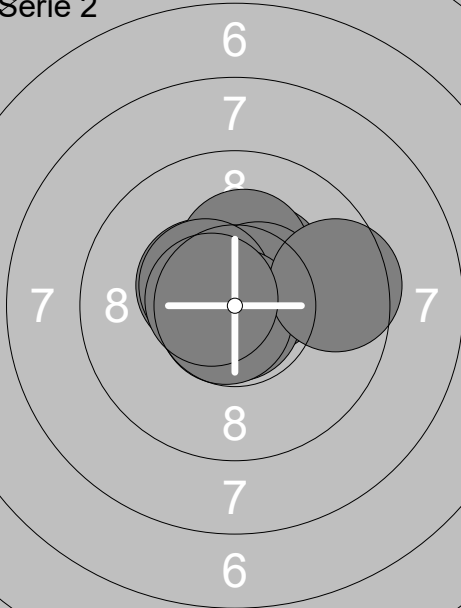
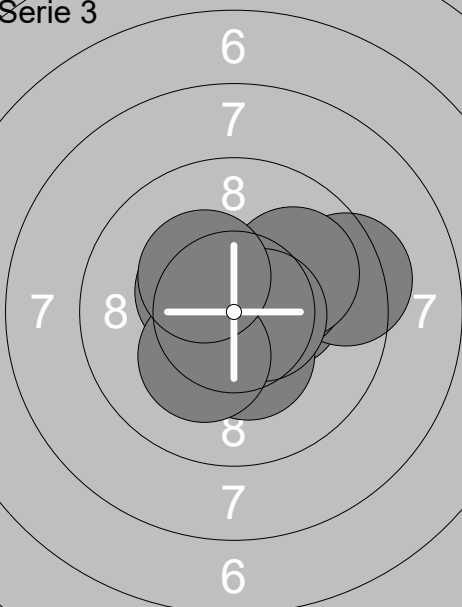
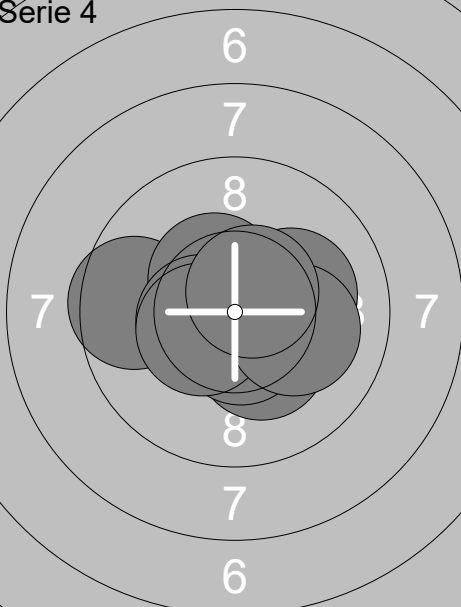
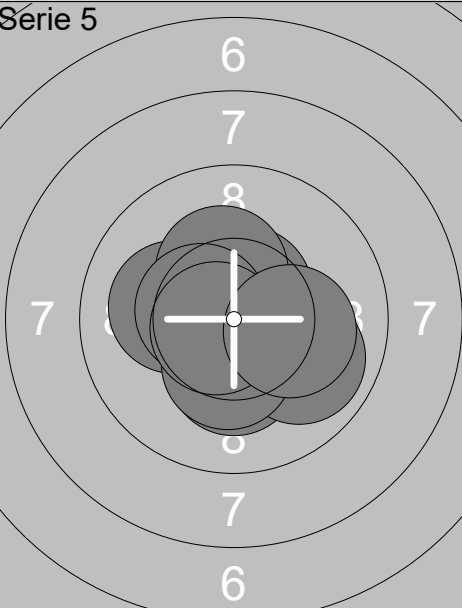
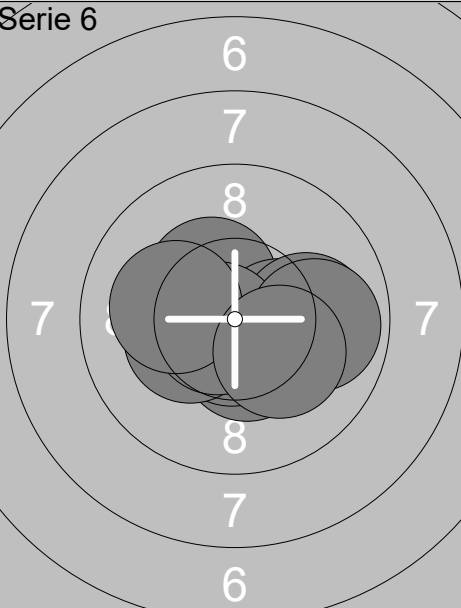
Relay	Lane	Johanna Kacirek	
1	19	Gundsøllille Megalink OPE	Helsingør Salonskytte Forening
1.01.2020		GMO2020 Day 3	Gundsøllille OPEN 2020
Serie 1			1: 10.5x ↖ 2: 10.8x ↘ 3: 10.1 ↑ 4: 10.2x → 5: 9.5 ← 6: 9.7 ↙ 7: 8.7 ↑ 8: 10.2x ↗ 9: 10.1 ↖ 10: 10.2x ← Series 100.0 100.0
Serie 2			1: 10.3x ↗ 2: 9.8 ↖ 3: 8.8 ↓ 4: 10.2x ↘ 5: 9.5 ↖ 6: 10.7x ↑ 7: 10.2x ← 8: 10.4x ← 9: 10.4x ↑ 10: 10.2x ↖ Series 100.5 200.5
Serie 3			1: 9.4 ↑ 2: 10.1 ↗ 3: 10.4x ← 4: 10.5x ↑ 5: 8.8 ↙ 6: 10.2x ↓ 7: 9.1 ↙ 8: 10.4x ↖ 9: 9.1 ← 10: 10.7x ← Series 98.7 299.2
Serie 4			1: 10.3x ↙ 2: 10.0 ↑ 3: 9.8 ↗ 4: 10.6x ← 5: 10.0 ↖ 6: 9.7 ↖ 7: 10.4x ↑ 8: 9.3 ↓ 9: 9.0 ↙ 10: 10.0 ↗ Series 99.1 398.3
Serie 5			1: 9.3 ↖ 2: 9.8 ↑ 3: 10.6x ↙ 4: 9.7 ↑ 5: 10.2x ↓ 6: 10.1 ← 7: 9.5 ↓ 8: 9.2 ↓ 9: 10.2x ← 10: 10.2x → Series 98.8 497.1
Serie 6			1: 10.1 ↘ 2: 10.5x ↓ 3: 9.0 ↓ 4: 9.4 ↑ 5: 9.4 ↓ 6: 10.1 ← 7: 9.5 ↑ 8: 10.6x ↖ 9: 9.6 ↓ 10: 10.1 ↗ Series 98.3 595.4

Relay	Lane	Katrine Christensen		
1	20	Gundsøllille Megalink OPE	Ballerup skytteforening	
1.01.2020	GMO2020 Day 3	Gundsøllille OPEN 2020		
Serie 1			1: 10.6x ↗ 2: 10.5x ↖ 3: 10.0 ↘ 4: 9.2 ↓ 5: 10.0 → 6: 10.9x ↓ 7: 9.5 ← 8: 10.1 ↓ 9: 10.5x ↗ 10: 10.2x ↓ Series 101.5 101.5	1: 10.4x → 2: 10.8x ↗ 3: 10.5x ← 4: 10.3x ↗ 5: 10.3x ← 6: 9.4 → 7: 10.6x ← 8: 9.7 ↖ 9: 10.5x → 10: 10.2x ↗ Series 102.7 204.2
Serie 3			1: 9.7 ↗ 2: 10.6x ↗ 3: 10.4x → 4: 10.3x ↘ 5: 10.7x ↗ 6: 10.4x ← 7: 10.1 ← 8: 10.6x ↗ 9: 9.8 → 10: 10.2x ↖ Series 102.8 307.0	1: 10.6x ← 2: 10.3x ↗ 3: 10.2x ↖ 4: 10.4x ↗ 5: 10.0 ← 6: 10.2x → 7: 8.9 ← 8: 9.8 ↗ 9: 10.6x ↘ 10: 10.1 ↖ Series 101.1 408.1
Serie 5			1: 10.5x ↘ 2: 10.1 ← 3: 10.1 ↗ 4: 10.3x ← 5: 9.4 ← 6: 10.0 ↖ 7: 10.2x ↗ 8: 10.4x → 9: 10.0 → 10: 9.8 ↖ Series 100.8 508.9	1: 9.9 → 2: 10.4x ↗ 3: 9.6 ↘ 4: 10.4x ↗ 5: 10.7x ↗ 6: 10.3x ↘ 7: 10.0 ↘ 8: 9.9 ← 9: 10.3x ← 10: 10.6x ↘ Series 102.1 611.0

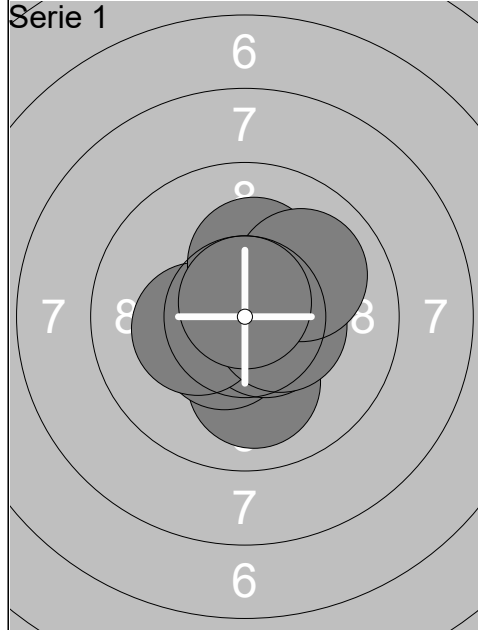
Relay	Lane	Sara Alexis		
1	21	Gundsøllille Megalink OPE	Trehøje Skytteforening	
1.01.2020		GMO2020 Day 3	Gundsøllille OPEN 2020	
Serie 1		1: 9.9 →	Serie 2	1: 10.0 ↖
		2: 10.2x ↓		2: 10.5x ↑
		3: 9.5 ↖		3: 10.0 ←
	4: 10.7x ↗	4: 10.5x ↓		
		5: 10.1 →	5: 10.7x →	5: 10.7x →
		6: 10.5x →	6: 10.0 ←	6: 10.0 ←
		7: 10.6x ↘	7: 10.4x ↑	7: 10.4x ↑
		8: 10.6x ←	8: 10.7x →	8: 10.7x →
		9: 10.3x ↑	9: 9.6 ↖	9: 9.6 ↖
		10: 10.7x →	10: 10.4x ↓	10: 10.4x ↓
		Series 103.1	Series 102.8	Series 102.8
		103.1		205.9
Serie 3		1: 10.2x ↓	Serie 4	1: 10.6x ↘
		2: 9.7 ↗		2: 10.6x ↑
		3: 9.7 →		3: 9.5 ↗
	4: 9.9 ↑	4: 9.5 ↑		
		5: 10.3x →	5: 9.9 ←	5: 9.9 ←
		6: 10.6x →	6: 10.0 →	6: 10.0 →
		7: 10.4x ↗	7: 10.2x →	7: 10.2x →
		8: 10.5x ←	8: 9.0 ↖	8: 9.0 ↖
		9: 10.4x ←	9: 10.3x ↗	9: 10.3x ↗
		10: 10.8x ↗	10: 10.3x ↗	10: 10.3x ↗
		Series 102.5	Series 99.9	Series 99.9
		308.4		408.3
Serie 5		1: 9.9 ←	Serie 6	1: 10.7x ↖
		2: 10.6x ↓		2: 9.2 ←
		3: 9.8 ↑		3: 10.5x ↑
	4: 9.7 →	4: 10.1 ↖		
		5: 10.1 ↖	5: 10.0 ↖	5: 10.0 ↖
		6: 10.6x ←	6: 9.9 ↑	6: 9.9 ↑
		7: 9.4 ↖	7: 9.1 ↗	7: 9.1 ↗
		8: 9.8 ↘	8: 10.4x ←	8: 10.4x ←
		9: 10.3x ↑	9: 10.7x ←	9: 10.7x ←
		10: 10.7x ↑	10: 10.4x ↗	10: 10.4x ↗
		Series 100.9	Series 101.0	Series 101.0
		509.2		610.2

Relay	Lane	Caroline Jacobi	
Gundsøllille Megalink OPE	Aalborg Skyttekreds	WJ	
1.01.2020	GMO2020 Day 3	Gundsøllille OPEN 2020	
Serie 1	1: 10.9x ← 2: 9.7 → 3: 10.8x ← 4: 10.0 ↗ 5: 10.3x ↙ 6: 9.9 ← 7: 10.6x ↗ 8: 10.7x ← 9: 10.6x ↗ 10: 10.7x ↗ Series 104.2 104.2	Serie 2	1: 10.2x → 2: 10.6x ← 3: 10.0 → 4: 10.6x ↗ 5: 10.6x ← 6: 9.3 ← 7: 9.4 ← 8: 10.6x → 9: 10.7x → 10: 9.8 → Series 101.8 206.0
Serie 3	1: 10.5x ↓ 2: 9.9 → 3: 9.9 ← 4: 10.8x ↗ 5: 10.7x ↗ 6: 10.3x ↗ 7: 10.5x ↓ 8: 10.7x → 9: 10.2x ↓ 10: 9.8 ↗ Series 103.3 309.3	Serie 4	1: 10.2x ↗ 2: 10.2x ↓ 3: 9.5 → 4: 10.4x ↗ 5: 9.9 ↗ 6: 10.3x ↗ 7: 9.9 → 8: 10.6x ↓ 9: 9.9 ← 10: 10.2x ↗ Series 101.1 410.4
Serie 5	1: 9.9 ↗ 2: 10.2x ↗ 3: 10.5x ↗ 4: 10.8x ↗ 5: 9.6 ↙ 6: 10.4x ↙ 7: 10.2x ← 8: 10.1 ↙ 9: 10.3x ← 10: 10.6x ↗ Series 102.6 513.0	Serie 6	1: 10.7x ↙ 2: 9.6 ↗ 3: 10.1 ← 4: 10.6x ↗ 5: 10.3x ↗ 6: 10.4x ← 7: 9.9 ↗ 8: 10.2x ↗ 9: 10.8x ↗ 10: 10.1 ← Series 102.7 615.7

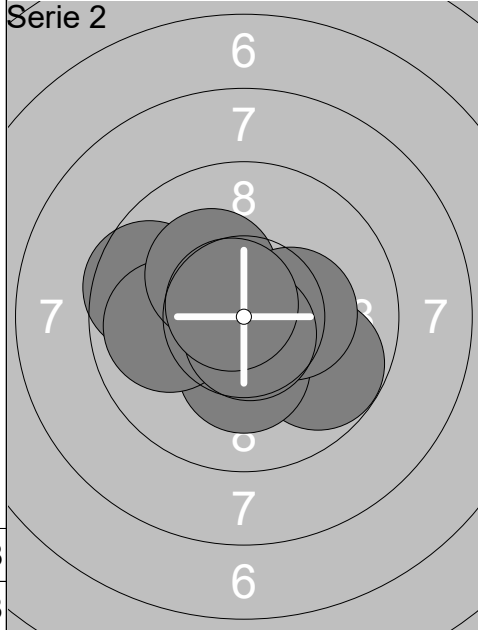
Gundsøllille Megalink Open 2020

Relay	Lane	Evelina Sundström		
Gundsøllille Megalink OPE	23	Skoga Ekshärads Skytteförening	WJ	
1.01.2020	GMO2020 Day 3	Gundsøllille OPEN 2020		
Serie 1		1: 10.0 → 2: 10.4x ↘ 3: 9.3 ← 4: 10.4x ↙ 5: 10.5x ↖ 6: 10.0 ← 7: 10.6x ↑ 8: 9.5 ↖ 9: 10.6x ↖ 10: 10.2x ↖ Series 101.5 101.5	Serie 2 	1: 10.3x ↗ 2: 10.4x ↖ 3: 10.2x ↑ 4: 10.7x ↖ 5: 10.5x ↗ 6: 10.4x ↖ 7: 10.8x ↓ 8: 10.7x ↙ 9: 9.5 → 10: 10.6x ← Series 104.1 205.6
Serie 3		1: 10.3x → 2: 9.3 → 3: 10.4x ↖ 4: 10.2x ↗ 5: 10.7x ↑ 6: 10.0 ↗ 7: 10.3x ↓ 8: 10.6x → 9: 10.2x ↙ 10: 10.3x ↖ Series 102.3 307.9	Serie 4 	1: 9.6 ← 2: 10.1 → 3: 10.4x ↖ 4: 10.5x ← 5: 10.3x ↘ 6: 10.5x → 7: 10.5x ↓ 8: 10.4x ↙ 9: 10.1 → 10: 10.6x ↗ Series 103.0 410.9
Serie 5		1: 10.3x ↓ 2: 10.6x ↘ 3: 9.9 ↘ 4: 10.1 ← 5: 10.6x ↗ 6: 10.3x ↓ 7: 10.3x ↑ 8: 10.5x ← 9: 10.7x ← 10: 10.2x → Series 103.5 514.4	Serie 6 	1: 10.4x ↓ 2: 10.7x ↓ 3: 10.4x ↖ 4: 10.3x → 5: 10.0 → 6: 10.3x ← 7: 10.6x ↙ 8: 10.1 ← 9: 9.8 → 10: 10.2x ↘ Series 102.8 617.2

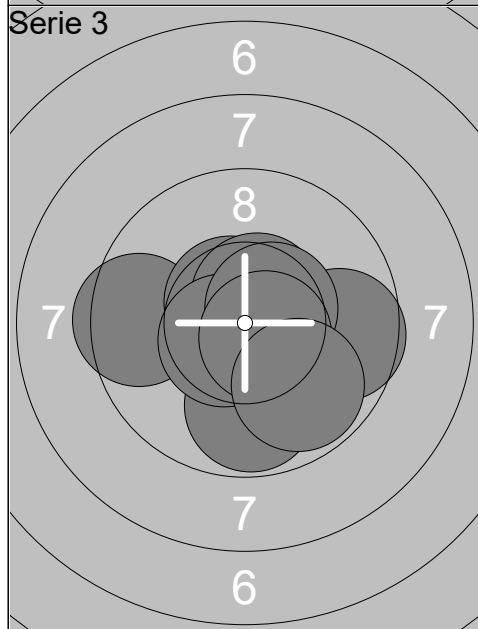
Relay	Lane	Josefine Laursen	
Gundsøllille Megalink OPE	Viborg Skytte Forening	WJ	
1.01.2020	GMO2020 Day 3	Gundsøllille OPEN 2020	
Serie 1	1: 10.2x ↗ 2: 10.2x → 3: 10.2x ↖ 4: 10.3x ↗ 5: 10.3x ↖ 6: 10.0 → 7: 10.6x ↓ 8: 10.4x ↓ 9: 10.5x ↗ 10: 10.5x ↑ Series 103.2 103.2	Serie 2	1: 10.4x → 2: 10.4x ↑ 3: 10.0 ↘ 4: 10.5x ↙ 5: 10.6x ↓ 6: 10.4x ↙ 7: 10.1 ← 8: 9.3 ↙ 9: 10.7x ↓ 10: 10.3x ↑ Series 102.7 205.9
Serie 3	1: 10.7x ↑ 2: 10.2x ↖ 3: 9.6 → 4: 10.6x ↑ 5: 10.8x ↘ 6: 10.3x ← 7: 10.5x ↓ 8: 10.7x ← 9: 10.4x ↓ 10: 10.1 ← Series 103.9 309.8	Serie 4	1: 10.8x ↘ 2: 10.3x ↖ 3: 10.7x ↙ 4: 10.0 ↖ 5: 10.8x ↑ 6: 10.8x ↖ 7: 10.2x ↖ 8: 9.9 → 9: 10.3x ↗ 10: 10.1 ↘ Series 103.9 413.7
Serie 5	1: 10.5x ↖ 2: 10.2x → 3: 10.5x → 4: 10.6x ↑ 5: 10.6x → 6: 10.4x → 7: 10.3x ↓ 8: 10.1 ↙ 9: 10.8x ↑ 10: 10.6x → Series 104.6 518.3	Serie 6	1: 10.6x ↙ 2: 10.4x ↑ 3: 10.1 ↖ 4: 10.5x ← 5: 10.0 ← 6: 10.2x ↘ 7: 9.9 ↘ 8: 10.2x → 9: 10.0 ↓ 10: 10.5x ↖ Series 102.4 620.7



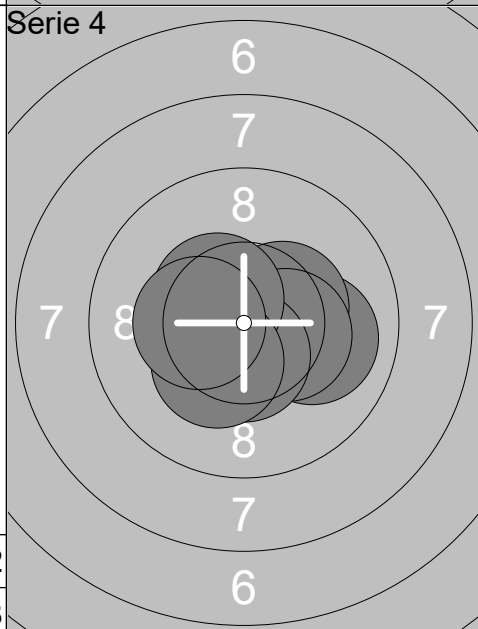
1:	10.0	↓
2:	10.8x	↖
3:	10.5x	↙
4:	10.6x	↘
5:	10.3x	←
6:	10.4x	→
7:	10.3x	↗
8:	10.2x	↗
9:	10.0	↘
10:	10.7x	↗
Series	103.8	
	103.8	



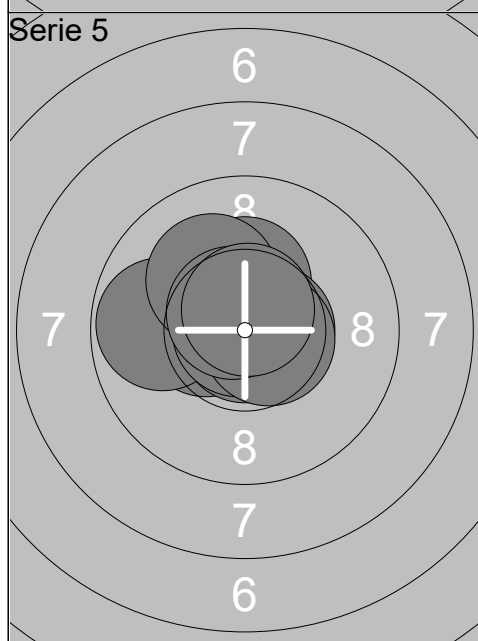
1:	9.7	↘
2:	9.6	←
3:	10.9x	↑
4:	10.5x	↓
5:	10.3x	↓
6:	9.9	←
7:	10.2x	↖
8:	10.3x	→
9:	10.7x	↓
10:	10.7x	↖
Series	102.8	
	206.6	



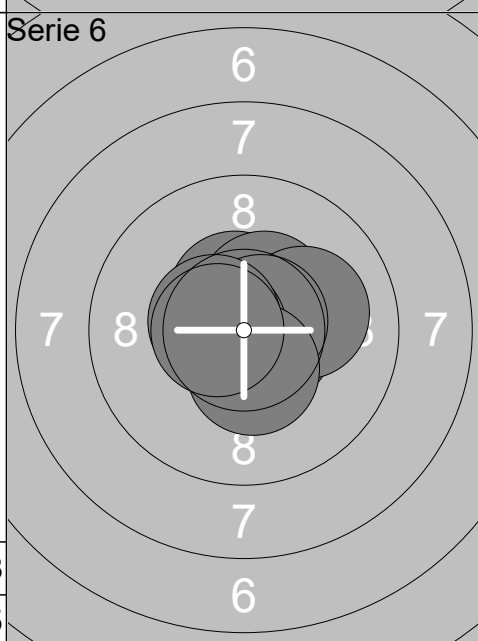
1:	9.5	←
2:	10.6x	↖
3:	10.6x	↓
4:	9.8	↓
5:	10.6x	↗
6:	10.6x	↙
7:	9.6	→
8:	10.5x	↘
9:	10.6x	↘
10:	9.8	↓
Series	102.2	
	308.8	



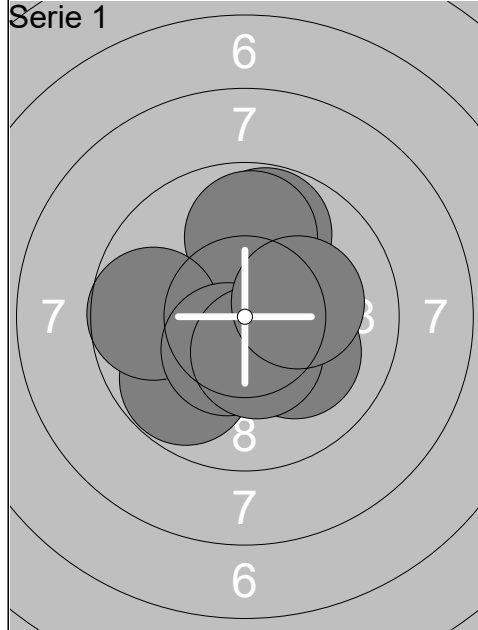
1:	10.6x	↖
2:	10.6x	→
3:	10.0	→
4:	10.4x	→
5:	10.3x	→
6:	10.5x	←
7:	10.5x	↓
8:	10.4x	↖
9:	10.3x	↙
10:	10.3x	←
Series	103.9	
	412.7	



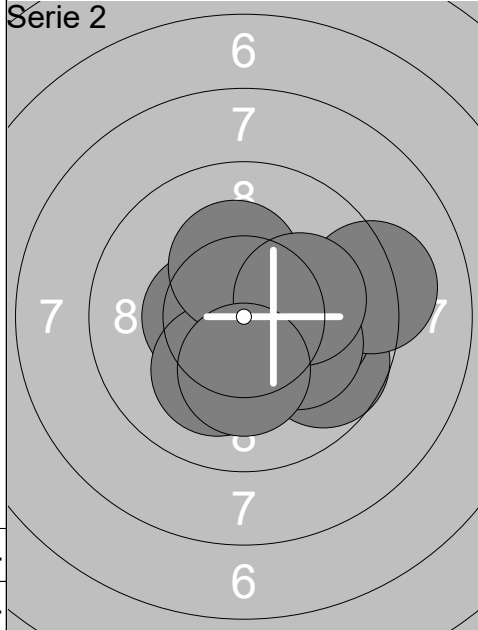
1:	10.4x	←
2:	10.9x	↓
3:	9.8	←
4:	10.3x	↑
5:	10.6x	→
6:	10.8x	←
7:	10.6x	→
8:	10.1	↗
9:	10.6x	↖
10:	10.7x	↗
Series	104.8	
	517.5	



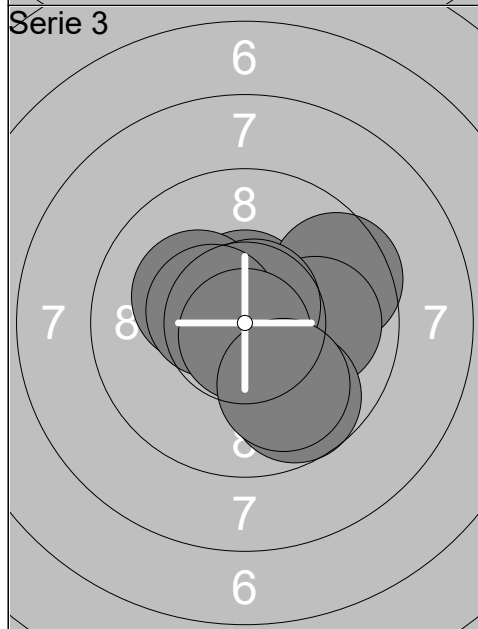
1:	10.5x	↗
2:	10.4x	↗
3:	10.6x	→
4:	10.7x	→
5:	10.1	→
6:	10.7x	→
7:	10.6x	←
8:	10.4x	↓
9:	10.5x	←
10:	10.6x	←
Series	105.1	
	622.6	



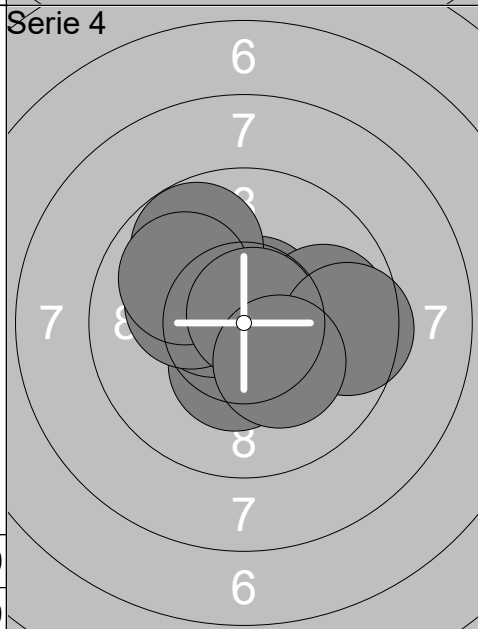
1:	10.5x	→
2:	10.1	↘
3:	9.8	↙
4:	10.7x	↓
5:	9.8	↑
6:	9.8	↑
7:	9.7	←
8:	10.4x	↙
9:	10.4x	↘
10:	10.2x	→
Series	101.4	
	101.4	



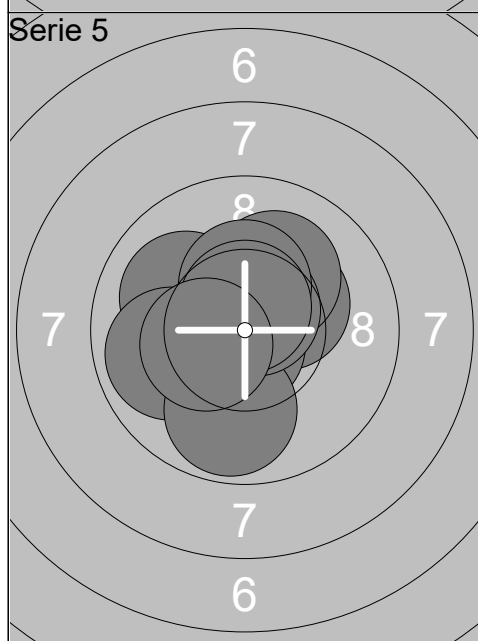
1:	10.4x	←
2:	10.1	↓
3:	9.7	↘
4:	10.1	→
5:	10.4x	→
6:	10.2x	↑
7:	9.2	→
8:	10.1	↘
9:	10.1	→
10:	10.2x	↓
Series	100.5	
	201.9	



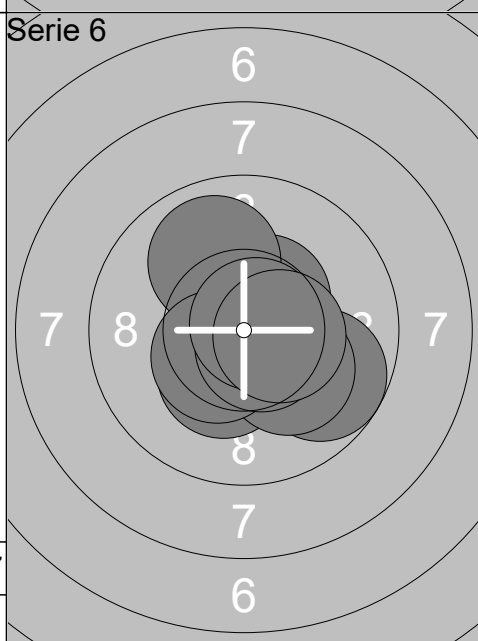
1:	10.0	↘
2:	10.6x	↑
3:	9.6	→
4:	10.0	→
5:	9.7	↘
6:	10.2x	↙
7:	10.7x	↗
8:	10.4x	↙
9:	10.8x	↓
10:	10.0	↘
Series	102.0	
	303.9	



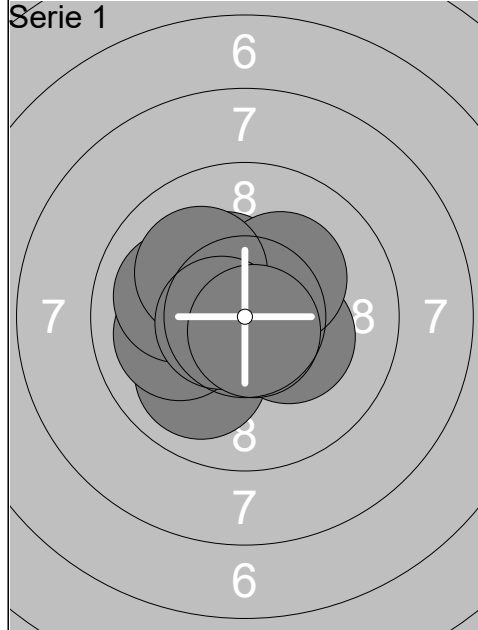
1:	10.3x	↓
2:	10.5x	↙
3:	10.6x	↗
4:	9.7	↖
5:	10.2x	↙
6:	9.8	→
7:	9.9	↖
8:	10.8x	↗
9:	9.5	→
10:	10.2x	↘
Series	101.5	
	405.4	



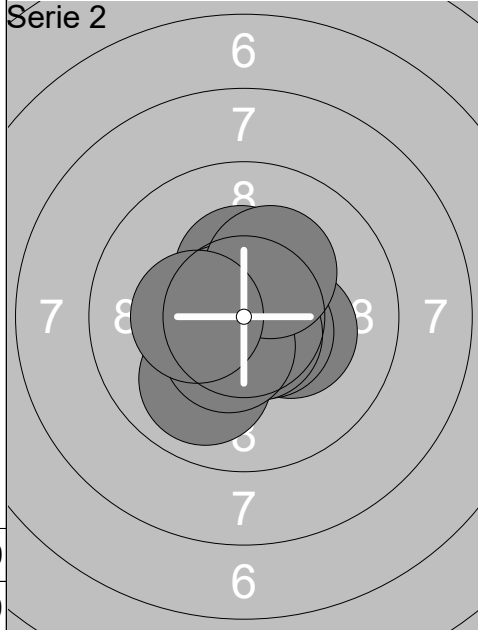
1:	10.3x	↗
2:	10.0	↖
3:	9.9	←
4:	10.7x	↘
5:	10.1	↗
6:	9.8	↓
7:	10.6x	↗
8:	10.3x	↑
9:	10.6x	↑
10:	10.4x	←
Series	102.7	
	508.1	



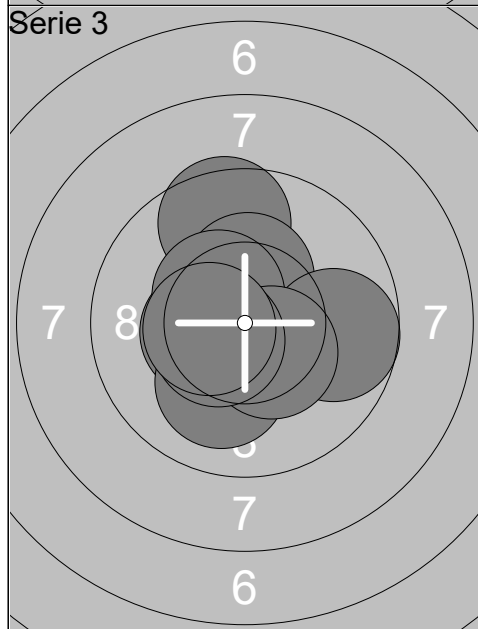
1:	10.9x	←
2:	10.4x	↗
3:	9.9	↑
4:	9.7	↘
5:	10.3x	↘
6:	10.1	↘
7:	10.4x	↙
8:	10.6x	↘
9:	10.7x	→
10:	10.5x	→
Series	103.5	
	611.6	



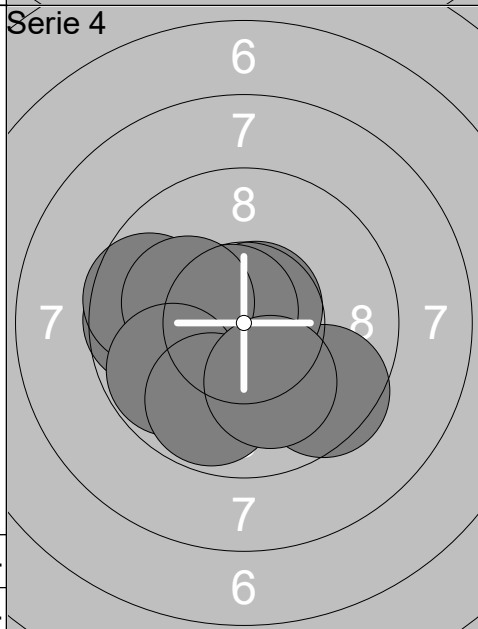
1:	10.0 ↙
2:	10.8x ↓
3:	10.0 ←
4:	10.3x ↗
5:	10.0 ←
6:	10.2x ➤
7:	10.2x ↗
8:	10.1 ↗
9:	10.6x ←
10:	10.7x ↓
Series	102.9
	102.9



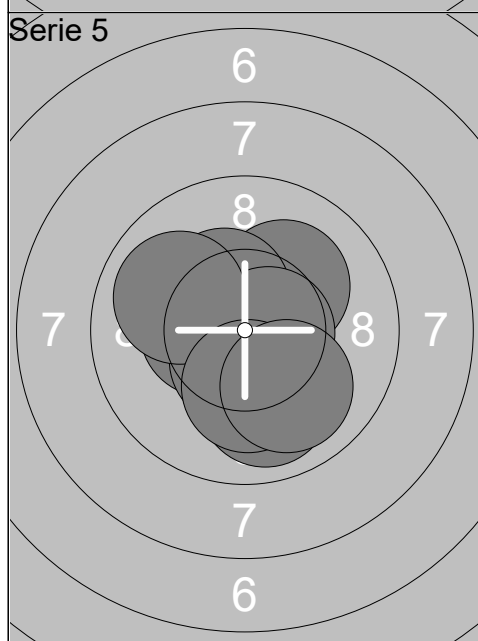
1:	10.0 ↙
2:	10.3x ➤
3:	10.6x ➤
4:	10.3x ↑
5:	10.7x ←
6:	10.6x ↓
7:	10.6x ↙
8:	10.5x ↓
9:	10.2x ↗
10:	10.3x ←
Series	104.1
	207.0



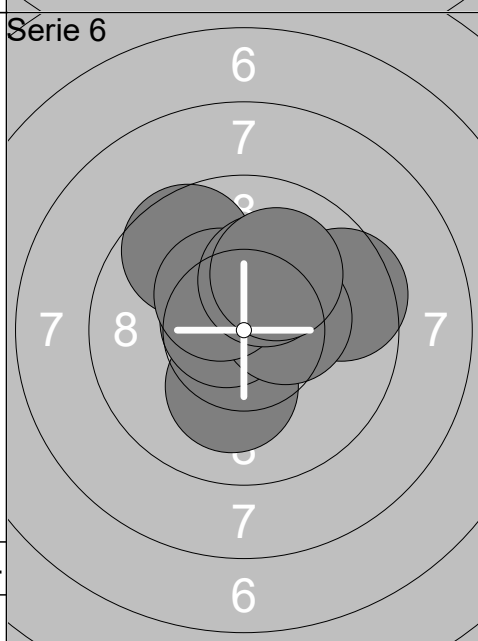
1:	10.7x ➤
2:	9.5 ↑
3:	10.4x ←
4:	10.3x ↑
5:	10.4x ↗
6:	10.1 ↓
7:	9.7 ➤
8:	10.4x ↓
9:	10.5x ↙
10:	10.4x ←
Series	102.4
	309.4



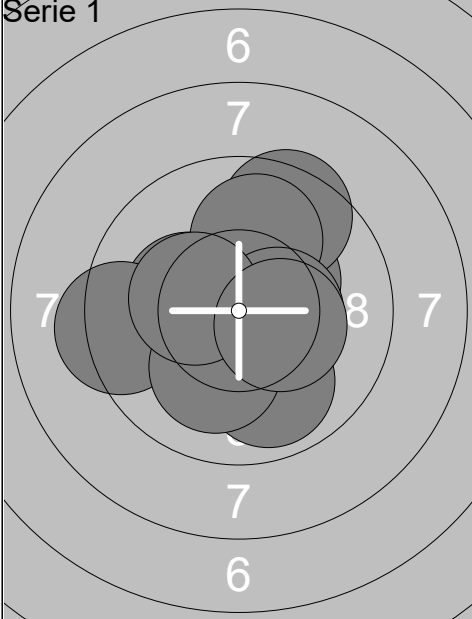
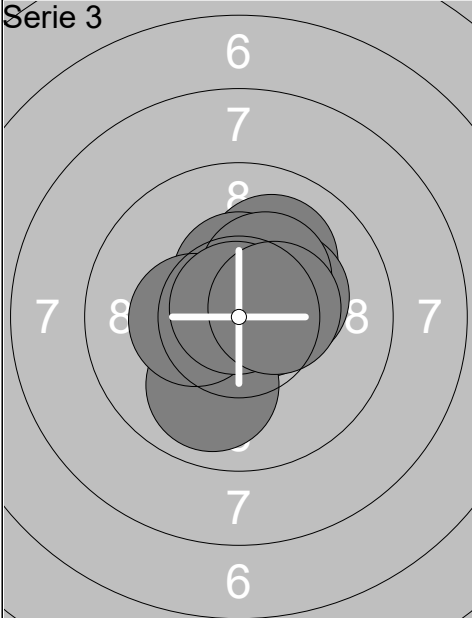
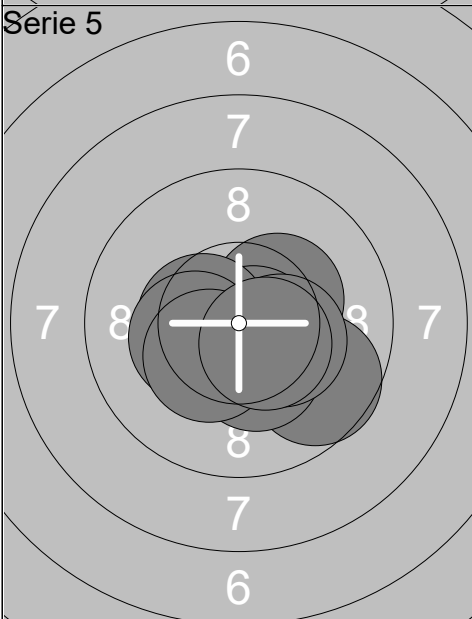
1:	9.5 ↘
2:	10.7x ↗
3:	10.3x ←
4:	9.7 ←
5:	9.6 ←
6:	10.7x ↗
7:	10.1 ←
8:	9.8 ←
9:	9.8 ↓
10:	10.1 ↓
Series	100.3
	409.7



1:	10.4x ←
2:	10.4x ↓
3:	10.1 ↗
4:	10.5x ↓
5:	9.9 ↓
6:	10.4x ↗
7:	10.6x ➤
8:	9.9 ←
9:	10.2x ↓
10:	10.0 ↓
Series	102.4
	512.1



1:	10.8x ←
2:	9.5 ➤
3:	10.2x ↓
4:	10.6x ↑
5:	10.7x ←
6:	10.3x ➤
7:	9.6 ↗
8:	10.3x ↗
9:	10.2x ↗
10:	10.1 ↗
Series	102.3
	614.4

Relay	Lane	Christine Jacobi	
Gundsøllille Megalink OPE	Viborg Skytte Forening	WJ	
1.01.2020	GMO2020 Day 3	Gundsøllille OPEN 2020	
Serie 1		1: 10.3x ↗ 2: 9.5 ↗ 3: 10.2x ← 4: 9.9 ↓ 5: 9.9 ↑ 6: 9.3 ← 7: 10.1 ↓ 8: 10.4x → 9: 10.3x ← 10: 10.4x → Series 100.3 100.3	Serie 2
		1: 10.0 ← 2: 10.2x ← 3: 9.5 ↗ 4: 10.2x → 5: 10.5x ← 6: 10.4x ↙ 7: 10.1 → 8: 10.3x ← 9: 10.7x ↓ 10: 10.3x ↖ Series 102.2 202.5	
Serie 3		1: 10.1 ↗ 2: 10.6x → 3: 10.9x → 4: 10.4x ↑ 5: 10.3x → 6: 9.9 ↓ 7: 10.3x ← 8: 10.3x ↗ 9: 10.8x ↗ 10: 10.4x → Series 104.0 306.5	Serie 4
		1: 10.5x ↙ 2: 10.3x ↗ 3: 9.8 → 4: 9.8 ← 5: 9.7 ← 6: 10.6x ↗ 7: 10.0 ← 8: 10.7x ↖ 9: 10.4x → 10: 9.2 ← Series 101.0 407.5	
Serie 5		1: 9.6 ↓ 2: 10.3x ↗ 3: 10.5x ← 4: 10.7x → 5: 10.5x ← 6: 10.3x ↓ 7: 10.3x ← 8: 10.3x → 9: 10.3x ↙ 10: 10.5x ↘ Series 103.3 510.8	Serie 6
		1: 10.3x ← 2: 10.1 → 3: 9.2 → 4: 10.6x → 5: 10.5x ↓ 6: 10.1 ↑ 7: 10.7x ↓ 8: 10.4x → 9: 10.1 ↑ 10: 10.5x ↖ Series 102.5 613.3	

Relay	Lane	Hannah Göransson	
1	29	Gundsøllille Megalink OPE	Sävsjö Skytteförening
1.01.2020		GMO2020 Day 3	Gundsøllille OPEN 2020
Serie 1 	1: 10.6x ↘	Serie 2 	1: 9.6 ↑
	2: 10.2x ↙		2: 9.6 ↖
	3: 9.8 ←		3: 9.9 ←
	4: 9.4 ↙		4: 10.3x ↓
	5: 10.8x ↑		5: 10.5x ↓
	6: 10.6x ↘		6: 10.7x ↗
	7: 9.6 ↙		7: 10.2x ←
	8: 10.1 ↙		8: 10.7x ←
	9: 9.8 →		9: 10.2x ←
	10: 10.3x →		10: 10.3x ←
	Series 101.2		Series 102.0
	101.2		203.2
Serie 3 	1: 10.5x ↙	Serie 4 	1: 9.9 ↗
	2: 10.2x ↗		2: 10.2x ↘
	3: 10.4x ↗		3: 10.6x ↗
	4: 9.8 ↘		4: 10.4x →
	5: 10.6x →		5: 10.8x →
	6: 9.2 →		6: 9.7 ←
	7: 10.1 ↗		7: 10.7x ←
	8: 9.4 ←		8: 10.3x ↘
	9: 9.1 ↖		9: 10.5x ↗
	10: 10.2x →		10: 10.0 ↘
	Series 99.5		Series 103.1
	302.7		405.8
Serie 5 	1: 8.7 ←	Serie 6 	1: 9.4 ↗
	2: 9.9 →		2: 10.4x ↘
	3: 9.7 ↙		3: 9.9 ↙
	4: 9.7 ↖		4: 10.7x ↘
	5: 9.9 →		5: 10.4x ←
	6: 10.0 ↑		6: 9.8 ↗
	7: 10.7x ↗		7: 9.6 ↖
	8: 10.4x ↗		8: 10.4x ↓
	9: 10.2x ↘		9: 9.6 ←
	10: 10.7x →		10: 10.7x →
	Series 99.9		Series 100.9
	505.7		606.6

Relay	Lane	Julie Paulsen Johannesen	
1	30	Gundsøllille Megalink OPE	Norges Skytterforbund
1.01.2020	GMO2020 Day 3	Gundsøllille OPEN 2020	
Serie 1		1: 10.6x ↗ 2: 10.1 ↓ 3: 10.2x ← 4: 10.3x ↙ 5: 10.4x ↓ 6: 10.6x → 7: 10.3x ↗ 8: 10.4x ← 9: 10.8x ↑ 10: 10.0 ↓ Series 103.7 103.7	Serie 2 1: 10.3x ↑ 2: 10.1 ← 3: 10.6x ↖ 4: 10.0 ← 5: 10.4x ⇒ 6: 10.4x ↓ 7: 10.9x ↖ 8: 10.8x ↙ 9: 10.3x ↙ 10: 10.3x ← Series 104.1 207.8
Serie 3		1: 9.9 ↗ 2: 10.2x ↑ 3: 10.9x ← 4: 10.7x ↗ 5: 10.7x ↑ 6: 10.6x ← 7: 10.2x → 8: 10.4x ↑ 9: 10.3x ← 10: 10.6x → Series 104.5 312.3	Serie 4 1: 10.3x ← 2: 10.4x → 3: 10.9x → 4: 10.6x ↖ 5: 10.6x → 6: 10.8x ← 7: 10.5x ↑ 8: 10.7x ↓ 9: 10.6x → 10: 10.5x ↖ Series 105.9 418.2
Serie 5		1: 10.4x ↖ 2: 10.3x → 3: 10.4x ← 4: 10.5x → 5: 10.2x ↖ 6: 10.6x ↓ 7: 10.7x ↓ 8: 10.1 ← 9: 10.8x ↓ 10: 10.5x ↙ Series 104.5 522.7	Serie 6 1: 10.3x ↗ 2: 10.4x ↑ 3: 9.7 ⇒ 4: 10.5x ← 5: 10.6x ↓ 6: 10.7x ↑ 7: 10.7x ⇒ 8: 10.7x ↙ 9: 10.4x ← 10: 10.5x ↓ Series 104.5 627.2