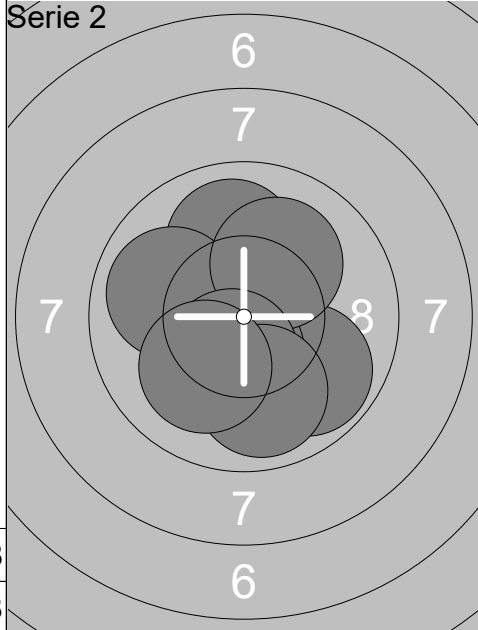
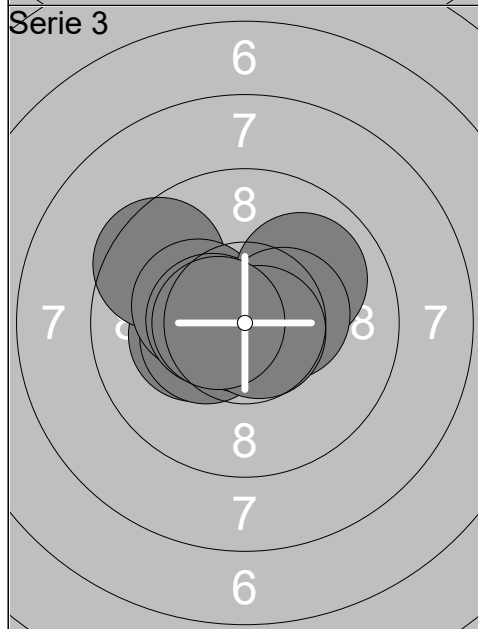


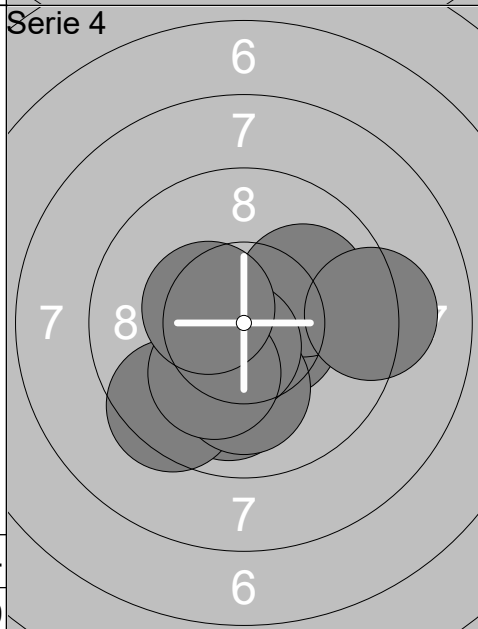
1:	10.5x ↓
2:	10.0 ←
3:	10.6x ↓
4:	10.4x ↓
5:	9.1 ←
6:	10.2x ←
7:	9.7 ←
8:	10.6x ↗
9:	10.5x →
10:	9.2 ←
Series	100.8
	100.8



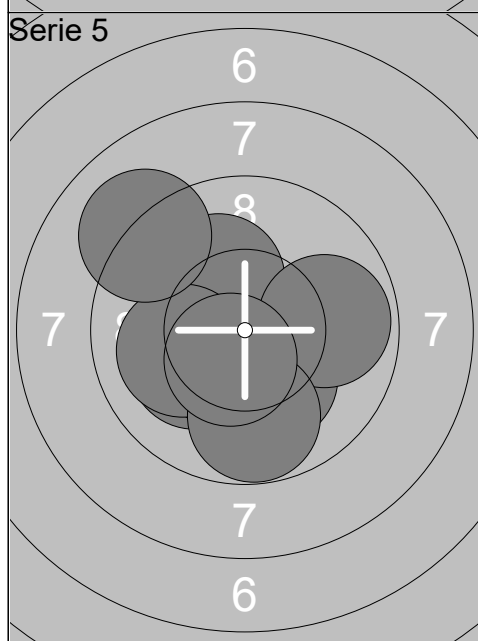
1:	10.6x ↗
2:	9.8 ↘
3:	10.4x ↓
4:	10.0 ↑
5:	10.5x ←
6:	9.9 ←
7:	10.1 ↗
8:	10.4x ↓
9:	9.9 ↓
10:	10.1 ↓
Series	101.7
	202.5



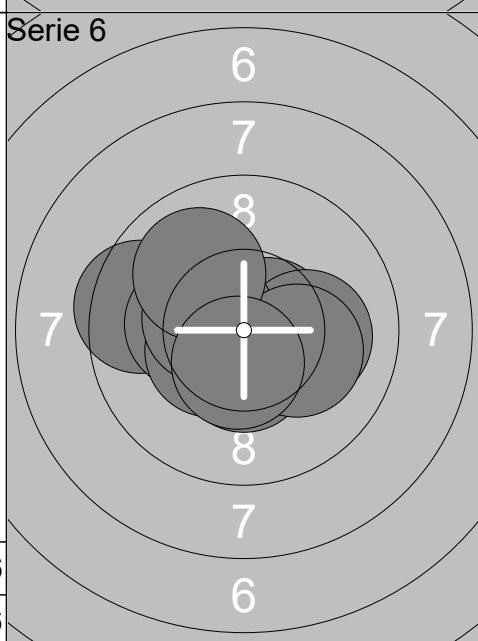
1:	10.2x ←
2:	10.4x ←
3:	10.9x ↓
4:	9.5 ↖
5:	10.2x ←
6:	10.5x ←
7:	10.0 ↗
8:	10.4x →
9:	10.7x ↘
10:	10.6x ←
Series	103.4
	305.9



1:	9.9 ↓
2:	10.5x →
3:	10.7x ↓
4:	9.5 ↓
5:	10.0 →
6:	9.2 →
7:	10.1 ↓
8:	10.6x ↓
9:	10.2x ↓
10:	10.4x ←
Series	101.1
	407.0



1:	10.1 ←
2:	10.6x →
3:	10.1 ↗
4:	10.4x ↓
5:	10.0 ←
6:	10.2x ↓
7:	9.9 →
8:	9.8 ↓
9:	9.0 ↖
10:	10.5x ↓
Series	100.6
	507.6

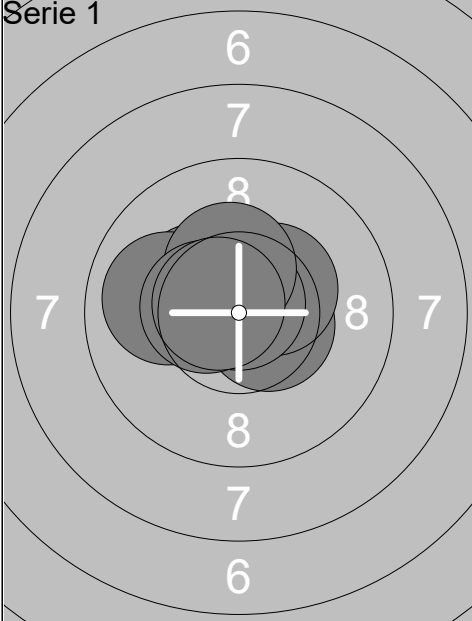
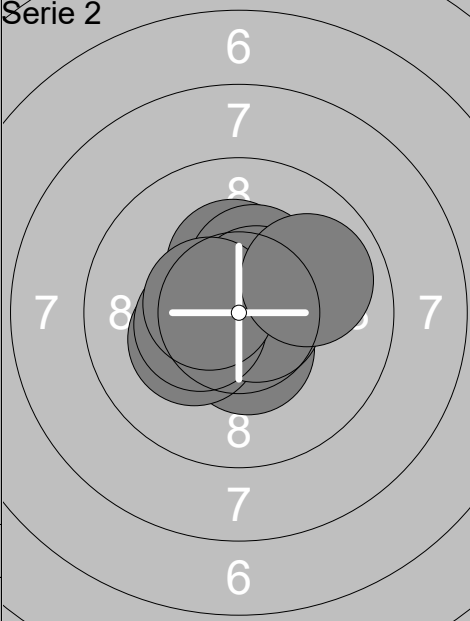
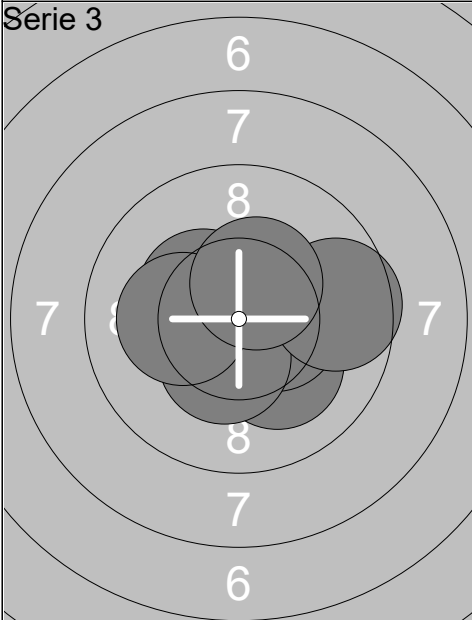
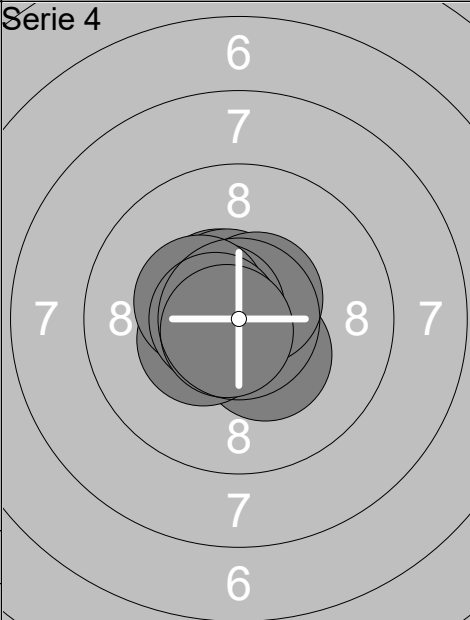
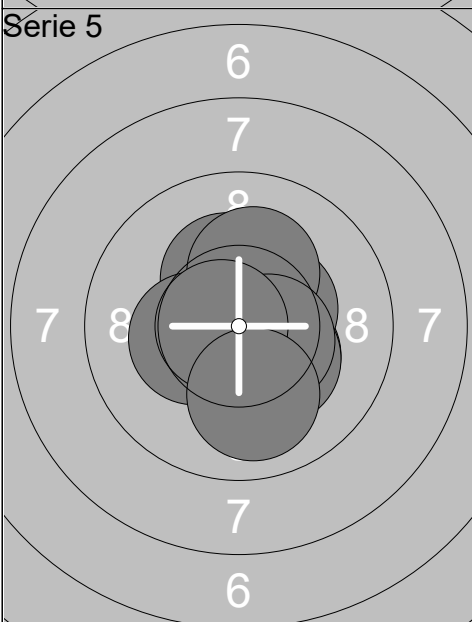
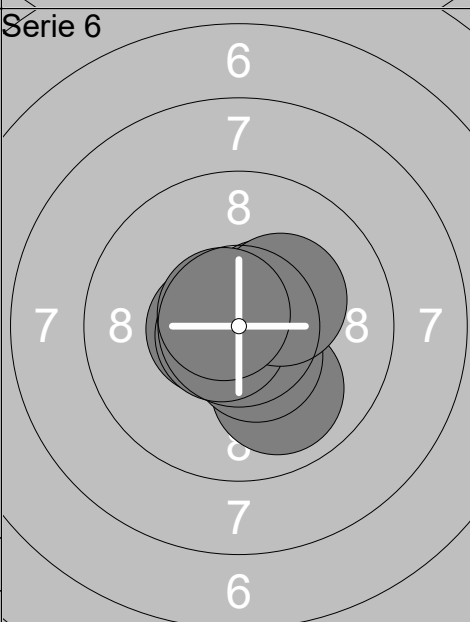


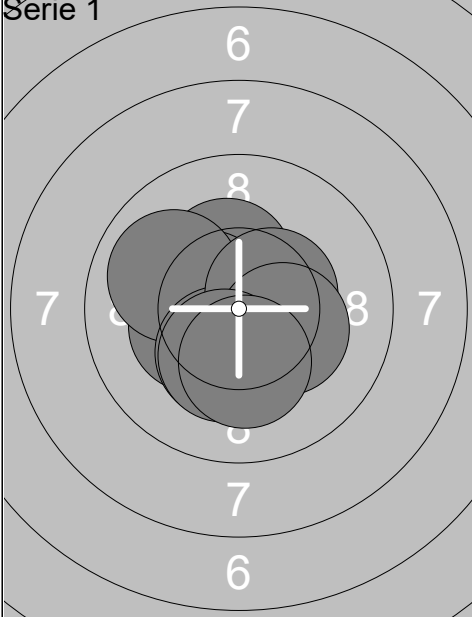
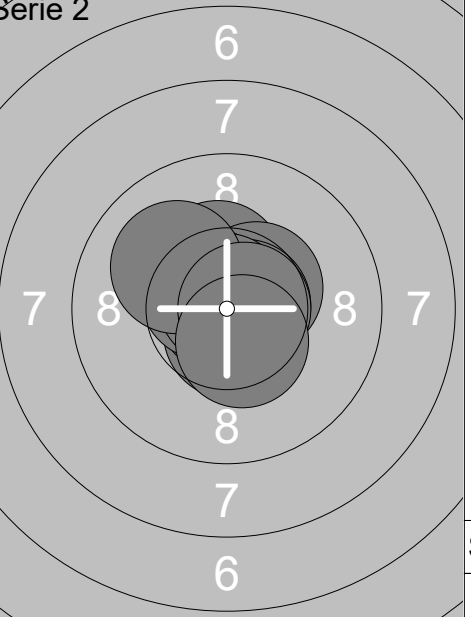
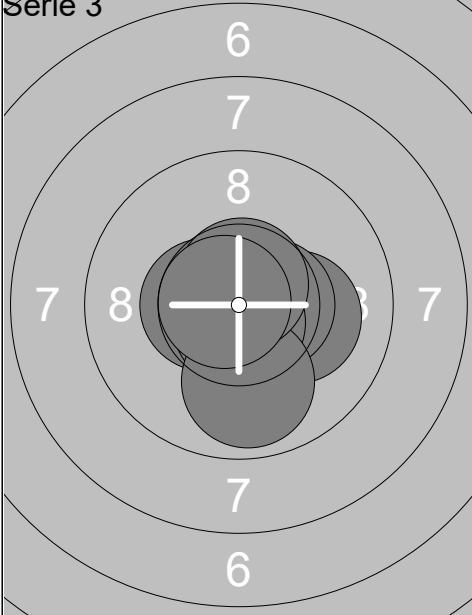
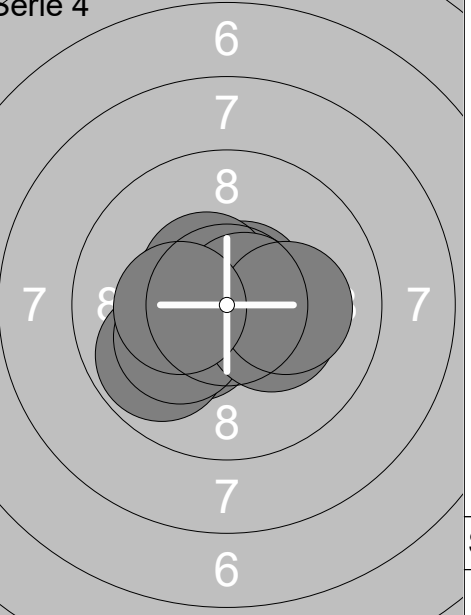
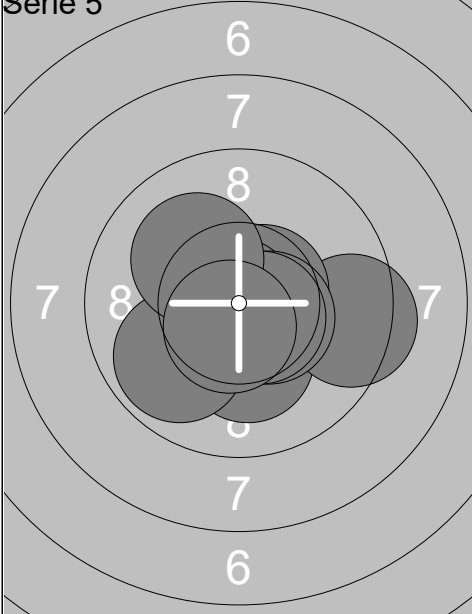
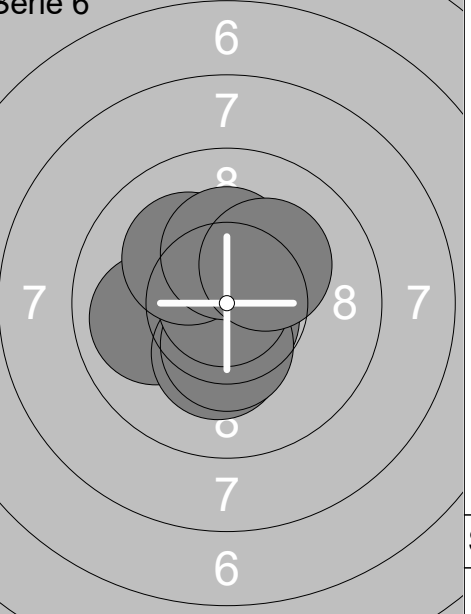
1:	9.5 ←
2:	10.2x ←
3:	10.6x →
4:	10.1 →
5:	10.4x ←
6:	10.5x ↓
7:	10.4x ←
8:	10.1 →
9:	9.9 ↖
10:	10.5x ↓
Series	102.2
	609.8

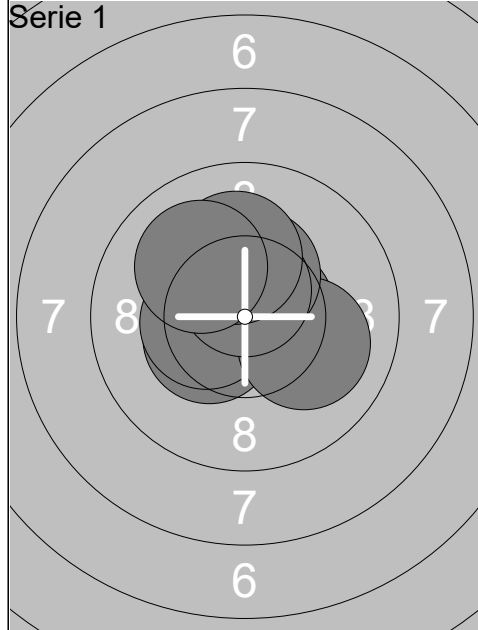
Relay	Lane	Nickolai Malte Kristensen		
3	7	Gundsøllille Megalink OPE	Århus Riffelskytte Klub	M
1.01.2020	GMO2020 Day 3	Gundsøllille OPEN 2020		
Serie 1 	1: 9.5 ↖	Serie 2 	1: 9.8 ↗	
	2: 10.1 ↑		2: 9.5 ↑	
	3: 10.1 ↘		3: 10.5x ↑	
	4: 10.8x ↓		4: 9.5 ↑	
	5: 9.2 ↗		5: 9.7 ↗	
	6: 10.4x ↑		6: 10.3x ➤	
	7: 10.8x ←		7: 8.7 ←	
	8: 10.1 ↗		8: 10.3x ←	
	9: 9.6 ↖		9: 9.7 ←	
	10: 10.0 ↑		10: 10.3x ←	
	Series 100.6		Series 98.3	
	100.6		198.9	
Serie 3 	1: 10.6x ↖	Serie 4 	1: 10.5x ↑	
	2: 10.0 ↖		2: 9.7 ➤	
	3: 10.1 ↘		3: 10.1 ←	
	4: 10.5x ↘		4: 9.7 ↑	
	5: 10.2x ↑		5: 10.5x ↑	
	6: 9.8 ➤		6: 10.2x ←	
	7: 10.3x ➤		7: 10.9x ➤	
	8: 9.8 ←		8: 10.6x ➤	
	9: 10.7x ←		9: 10.5x ↑	
	10: 10.1 ↑		10: 9.1 ←	
	Series 102.1		Series 101.8	
	301.0		402.8	
Serie 5 	1: 10.1 ↘	Serie 6 	1: 10.3x ↓	
	2: 10.3x ↘		2: 10.7x ↑	
	3: 10.4x ←		3: 10.8x ➤	
	4: 10.4x ←		4: 10.2x ➤	
	5: 10.7x ➤		5: 10.0 ↗	
	6: 9.8 ↑		6: 10.8x ↓	
	7: 10.4x ↘		7: 9.9 ←	
	8: 10.0 ↑		8: 10.4x ←	
	9: 9.8 ↘		9: 10.7x ←	
	10: 10.0 ↖		10: 9.0 ↖	
	Series 101.9		Series 102.8	
	504.7		607.5	

Relay	Lane	Albin Johansson	
Gundsøllille Megalink OPE	Aleholm skytteförening	M	
1.01.2020	GMO2020 Day 3	Gundsøllille OPEN 2020	
Serie 1	1: 9.7 ↗ 2: 10.4x → 3: 10.4x ↑ 4: 10.6x ↘ 5: 9.4 ↖ 6: 10.4x ↘ 7: 10.2x ← 8: 10.4x ↓ 9: 10.1 ↖ 10: 10.1 ↗ Series 101.7 101.7	Serie 2	1: 10.4x → 2: 10.5x ↖ 3: 10.4x ↗ 4: 10.3x ↗ 5: 10.1 → 6: 10.4x ← 7: 10.2x → 8: 10.6x ← 9: 10.5x ↘ 10: 9.8 ↗ Series 103.2 204.9
Serie 3	1: 8.9 ↓ 2: 10.7x ↙ 3: 9.6 ← 4: 10.5x → 5: 10.5x ↗ 6: 10.7x ↖ 7: 8.8 ↗ 8: 10.0 ↓ 9: 10.0 → 10: 10.6x ↗ Series 100.3 305.2	Serie 4	1: 10.5x ↓ 2: 10.0 ↙ 3: 9.6 → 4: 10.4x ↙ 5: 10.0 → 6: 9.6 ↑ 7: 10.4x → 8: 10.9x ← 9: 10.4x ↓ 10: 10.1 ↓ Series 101.9 407.1
Serie 5	1: 10.2x ↗ 2: 10.5x → 3: 9.5 ← 4: 9.7 ↗ 5: 10.3x ↗ 6: 10.4x ↑ 7: 10.8x ← 8: 10.8x ↗ 9: 9.6 ↑ 10: 9.2 ↓ Series 101.0 508.1	Serie 6	1: 9.5 ↙ 2: 10.4x ← 3: 10.6x → 4: 10.3x ↘ 5: 10.2x ↓ 6: 10.5x ↑ 7: 10.1 → 8: 9.9 ↙ 9: 9.9 → 10: 10.7x ↙ Series 102.1 610.2

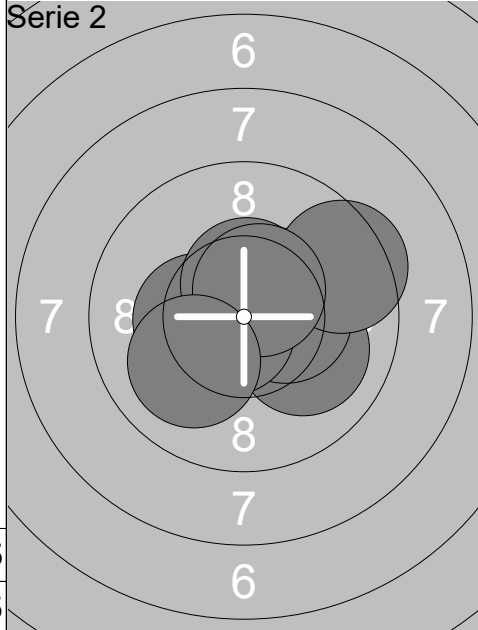
Gundsøllille Megalink Open 2020

Relay	Lane	Steffen H. Olsen	
3	9	Gundsøllille Megalink OPE	Ballerup skytteforening
1.01.2020		GMO2020 Day 3	Gundsøllille OPEN 2020
Serie 1		 <p>1: 10.5x ↗ 2: 10.5x ↖ 3: 10.3x ↖ 4: 10.5x → 5: 10.4x ↗ 6: 9.9 ← 7: 10.8x ↑ 8: 10.3x ↑ 9: 10.5x ← 10: 10.6x ↖</p> <p>Series 104.3 104.3</p>	 <p>1: 10.4x ↓ 2: 10.8x ↖ 3: 10.3x ↑ 4: 10.2x ↖ 5: 10.3x ↑ 6: 10.6x ↗ 7: 10.7x → 8: 10.4x ↖ 9: 10.5x ← 10: 9.9 ↗</p> <p>Series 104.1 208.4</p>
Serie 3		 <p>1: 10.1 ↓ 2: 10.7x ↑ 3: 10.6x ↑ 4: 10.5x → 5: 10.6x ↖ 6: 10.4x ↖ 7: 10.4x ↓ 8: 10.2x ← 9: 9.6 → 10: 10.4x ↗</p> <p>Series 103.5 311.9</p>	 <p>1: 10.5x ↖ 2: 10.6x ↖ 3: 10.6x ↖ 4: 10.3x ↓ 5: 10.6x ↗ 6: 10.4x ↖ 7: 10.6x ↖ 8: 10.4x ↖ 9: 10.6x ← 10: 10.7x ↖</p> <p>Series 105.3 417.2</p>
Serie 5		 <p>1: 10.5x ↖ 2: 10.3x ↘ 3: 10.3x ↑ 4: 10.4x ↗ 5: 10.3x ↘ 6: 10.2x ↑ 7: 10.3x ← 8: 10.5x → 9: 10.7x ← 10: 10.0 ↓</p> <p>Series 103.5 520.7</p>	 <p>1: 10.6x ← 2: 10.8x ↗ 3: 10.6x ↘ 4: 9.9 ↓ 5: 10.7x → 6: 10.5x ↗ 7: 10.5x ↓ 8: 10.7x ↖ 9: 10.3x ↗ 10: 10.7x ↖</p> <p>Series 105.3 626.0</p>

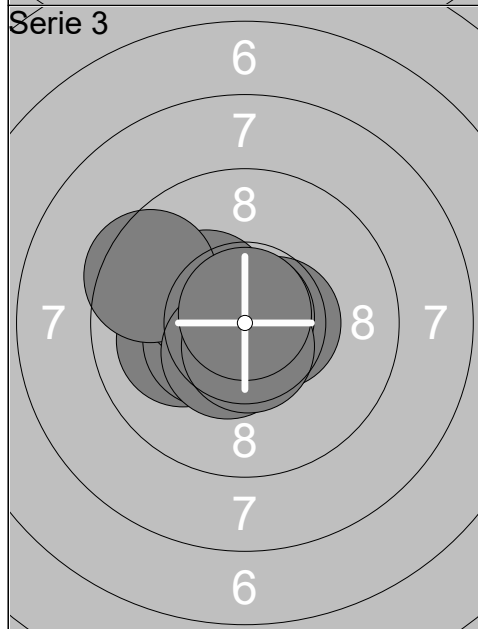
Relay	Lane	Anders Henricsson		
3	10	Gundsøllille Megalink OPE	Linköpings Skytteförening	
1.01.2020	GMO2020 Day 3	M	Gundsøllille OPEN 2020	
Serie 1		1: 10.6x ↙ 2: 10.3x ↑ 3: 10.3x ↙ 4: 10.5x ↙ 5: 10.0 ↙ 6: 10.3x ↓ 7: 10.5x ↗ 8: 10.2x ➡ 9: 10.3x ↓ 10: 10.2x ↓ Series 103.2 103.2	Serie 2 	1: 10.3x ↑ 2: 10.6x ↓ 3: 10.4x ↗ 4: 10.9x ↙ 5: 10.7x ➡ 6: 10.6x ↙ 7: 10.8x ↑ 8: 10.0 ↙ 9: 10.7x ➡ 10: 10.5x ↓ Series 105.5 208.7
Serie 3		1: 10.7x ↙ 2: 10.8x ↓ 3: 10.7x ➡ 4: 10.2x ➡ 5: 10.5x ↙ 6: 10.5x ➡ 7: 10.7x ↓ 8: 9.9 ↓ 9: 10.7x ↑ 10: 10.7x ↙ Series 105.4 314.1	Serie 4 	1: 10.3x ↙ 2: 9.8 ↙ 3: 10.1 ↙ 4: 10.4x ↙ 5: 10.6x ↗ 6: 10.5x ↙ 7: 10.7x ➡ 8: 10.3x ➡ 9: 10.1 ➡ 10: 10.3x ↙ Series 103.1 417.2
Serie 5		1: 10.2x ↓ 2: 9.4 ➡ 3: 10.7x ↙ 4: 9.9 ↙ 5: 10.6x ↗ 6: 10.8x ↙ 7: 10.5x ➡ 8: 10.6x ↓ 9: 10.1 ↙ 10: 10.6x ↓ Series 103.4 520.6	Serie 6 	1: 10.5x ↑ 2: 10.6x ↑ 3: 9.9 ↙ 4: 10.2x ↓ 5: 10.7x ↓ 6: 10.4x ↓ 7: 10.9x ↙ 8: 10.1 ↙ 9: 10.2x ↑ 10: 10.2x ↗ Series 103.7 624.3



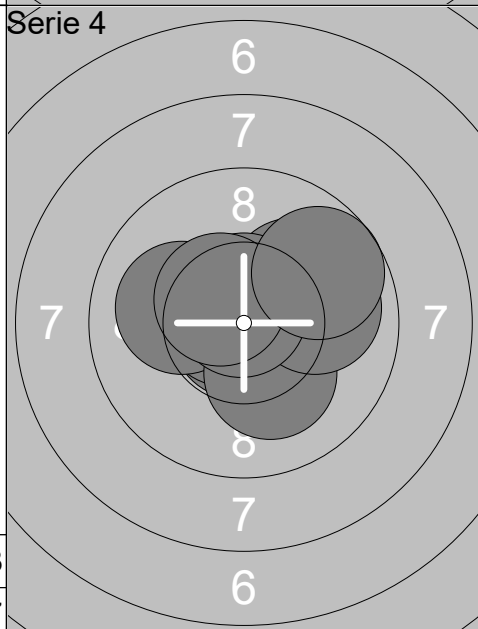
1:	10.6x →
2:	10.4x ↙
3:	10.5x ←
4:	10.6x ↖
5:	10.4x ←
6:	10.0 →
7:	10.3x ↑
8:	10.6x ↑
9:	10.1 ↑
10:	10.0 ↖
Series	103.5
	103.5



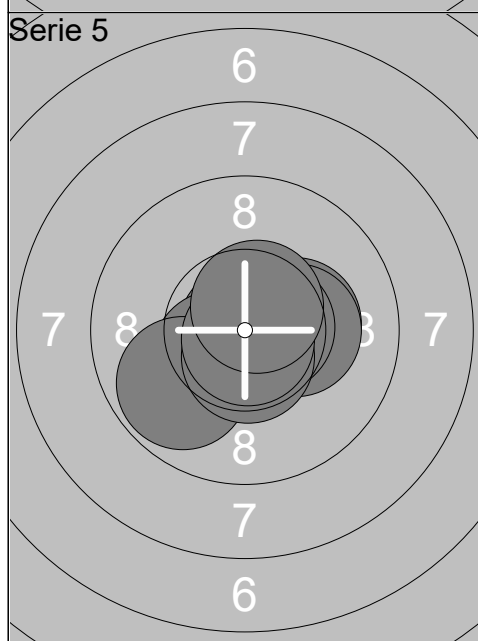
1:	10.0 ↘
2:	10.6x ←
3:	10.4x ↗
4:	10.4x →
5:	10.7x ↙
6:	10.3x ←
7:	9.5 ↗
8:	10.5x ↑
9:	10.5x ↗
10:	10.0 ↙
Series	102.9
	206.4



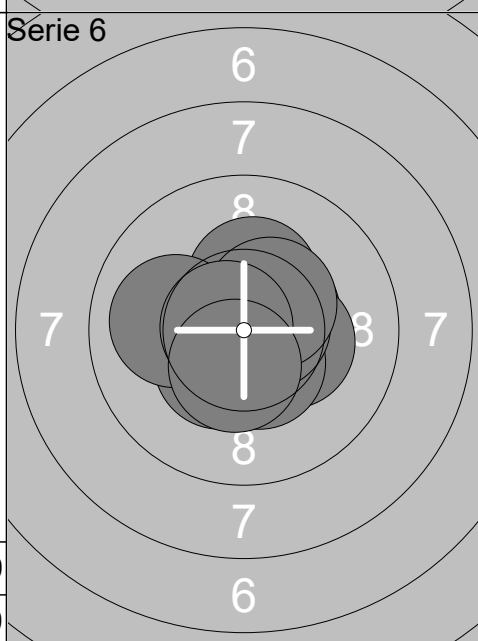
1:	10.5x →
2:	10.0 ←
3:	10.4x ↙
4:	10.8x ↗
5:	10.9x ↑
6:	10.3x ↖
7:	9.5 ←
8:	10.5x ↙
9:	10.6x ↓
10:	10.8x ↑
Series	104.3
	310.7



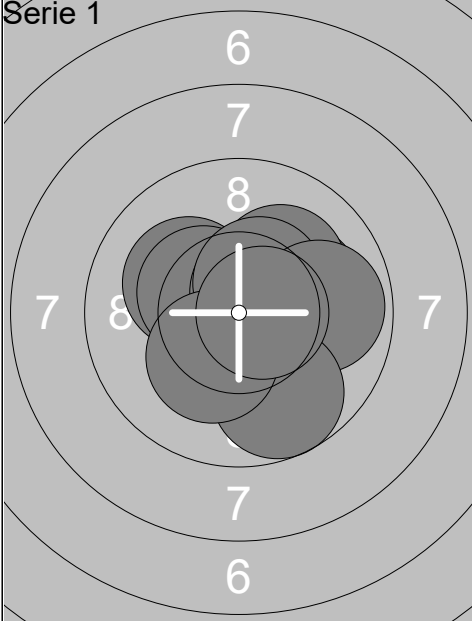
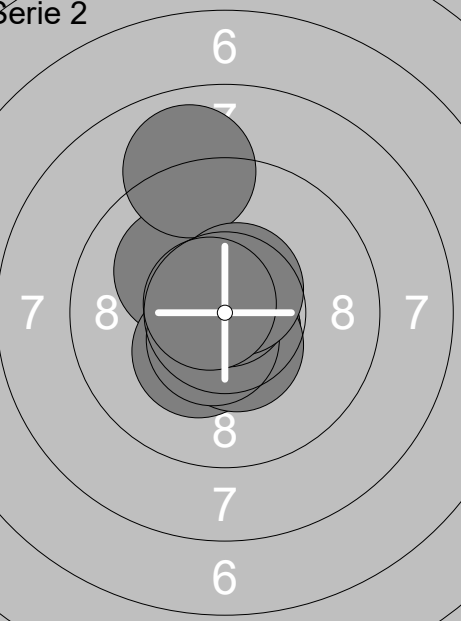
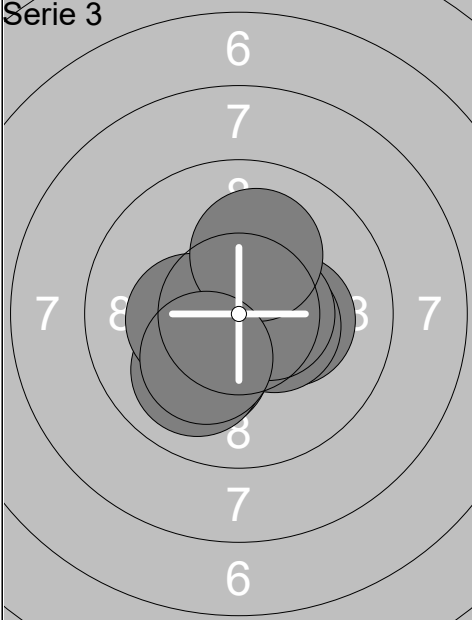
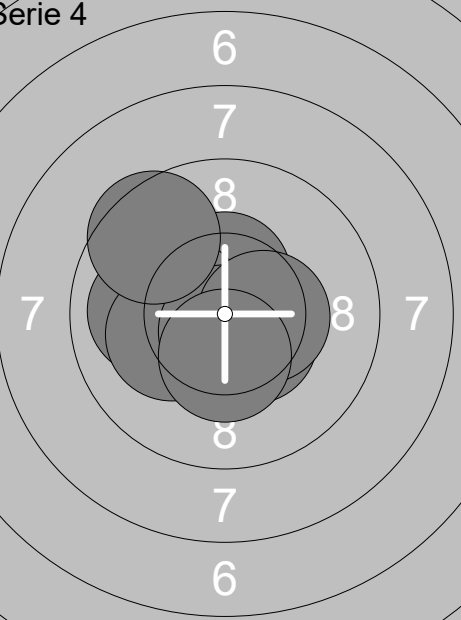
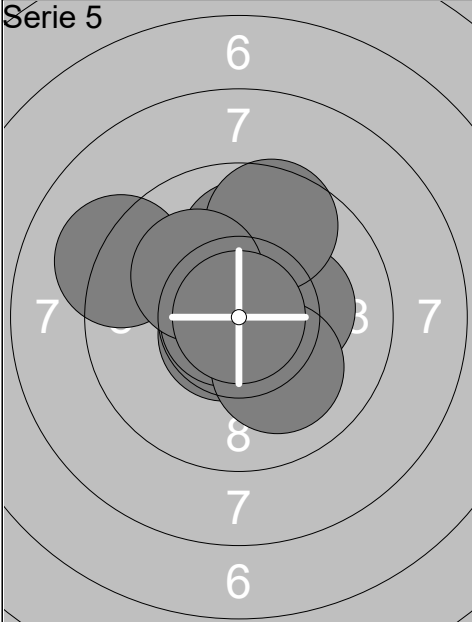
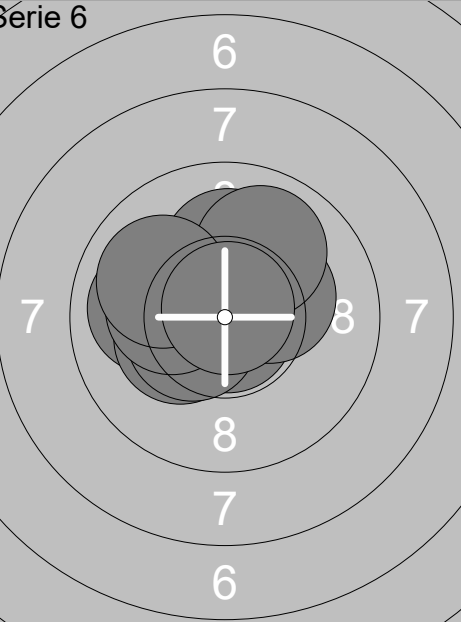
1:	10.8x ↙
2:	10.7x ←
3:	10.0 ←
4:	10.1 ↗
5:	10.1 ↘
6:	10.6x ↑
7:	10.0 →
8:	10.8x ↑
9:	10.5x ↖
10:	9.7 ↗
Series	103.3
	414.0



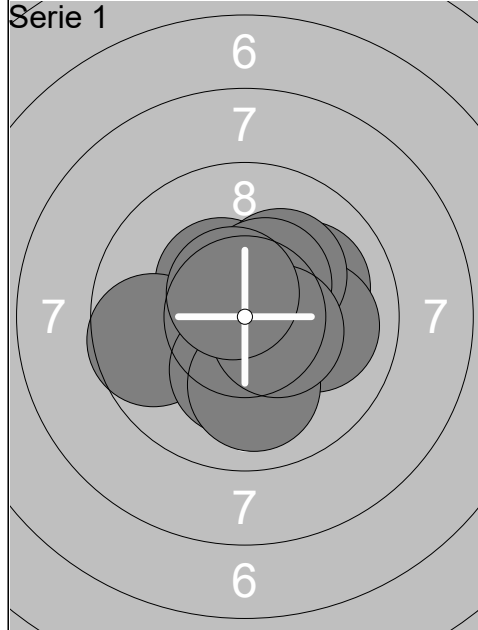
1:	10.9x
2:	10.4x ↙
3:	10.3x →
4:	10.2x →
5:	9.8 ↙
6:	10.7x ↗
7:	10.6x →
8:	10.6x ↓
9:	10.8x ↓
10:	10.6x ↗
Series	104.9
	518.9



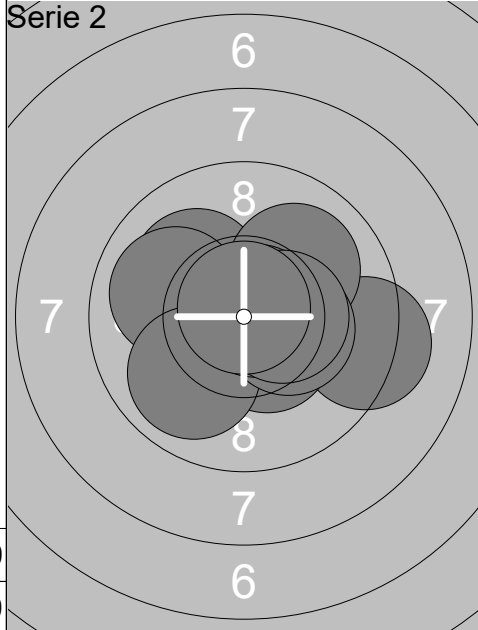
1:	10.3x ↑
2:	10.4x ↗
3:	10.3x →
4:	10.4x ↘
5:	10.4x ↙
6:	10.6x →
7:	10.4x ↗
8:	10.0 ←
9:	10.7x ←
10:	10.4x ↓
Series	103.9
	622.8

Relay	Lane	Lars Ørum	
3	12	Gundsøllille Megalink OPE	Aalborg Skyttekreds
1.01.2020		GMO2020 Day 3	Gundsøllille OPEN 2020
Serie 1			1: 10.1 ↖ 2: 10.4x ↖ 3: 10.1 → 4: 10.6x ↗ 5: 10.1 ↗ 6: 10.4x ↗ 7: 9.9 → 8: 9.7 ↓ 9: 10.2x ↓ 10: 10.6x → Series 102.1 102.1
Serie 2			1: 10.7x ↓ 2: 10.1 ↖ 3: 10.7x ↓ 4: 10.3x ↓ 5: 9.0 ↑ 6: 10.4x ↓ 7: 10.5x ↓ 8: 10.8x ↑ 9: 10.6x ↗ 10: 10.7x ↖ Series 103.8 205.9
Serie 3			1: 10.5x ↓ 2: 10.2x → 3: 10.1 ↓ 4: 10.0 ↓ 5: 10.8x ↑ 6: 10.4x → 7: 10.3x ← 8: 10.5x → 9: 10.1 ↑ 10: 10.2x ↓ Series 103.1 309.0
Serie 4			1: 10.4x ↑ 2: 10.3x ← 3: 10.5x ↘ 4: 10.3x ← 5: 10.0 ← 6: 10.2x ← 7: 10.7x ↓ 8: 10.4x → 9: 9.5 ↖ 10: 10.4x ↓ Series 102.7 411.7
Serie 5			1: 10.7x ↓ 2: 10.0 ↑ 3: 10.2x → 4: 9.1 ↖ 5: 9.6 ↑ 6: 10.6x ↓ 7: 10.8x ← 8: 10.0 ↓ 9: 10.1 ↖ 10: 10.9x Series 102.0 513.7
Serie 6			1: 10.8x ↓ 2: 10.0 ← 3: 10.3x ← 4: 10.4x ← 5: 10.3x → 6: 10.1 ↑ 7: 10.2x ← 8: 9.9 ↗ 9: 10.0 ↖ 10: 10.8x ↑ Series 102.8 616.5

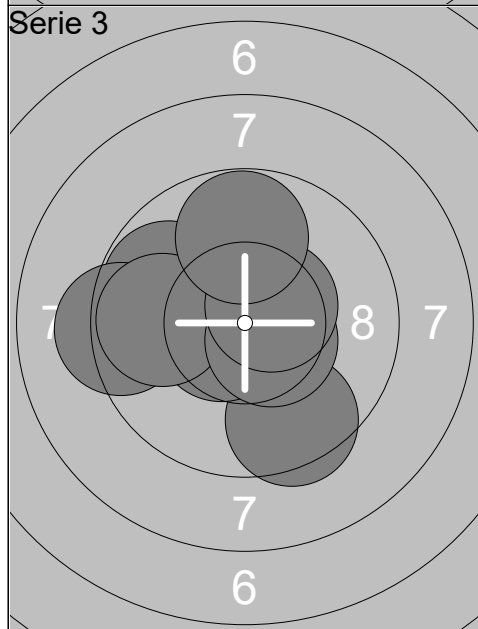
Relay	Lane	Esben Jakobsen	
3	13	Gundsøllille Megalink OPE	Sørslev Skytteforening
1.01.2020		GMO2020 Day 3	M
Serie 1		1: 10.5x → 2: 10.5x ↖ 3: 10.4x ↘ 4: 10.4x ↙ 5: 9.5 ← 6: 10.2x ↗ 7: 10.4x ↓ 8: 10.5x ↘ 9: 10.1 ↓ 10: 10.2x ↗ Series 102.7 102.7	Serie 2 1: 10.4x ↖ 2: 9.6 ← 3: 10.8x ↙ 4: 10.7x ↓ 5: 9.7 ↙ 6: 10.2x ↓ 7: 10.2x ↙ 8: 10.4x ↖ 9: 10.3x ↗ 10: 10.4x ↙ Series 102.7 205.4
Serie 3		1: 10.6x ↙ 2: 10.7x ↓ 3: 10.5x ↙ 4: 10.3x ↗ 5: 10.5x ↙ 6: 9.9 ← 7: 10.9x ↑ 8: 10.5x ↗ 9: 10.0 ↗ 10: 10.2x ↙ Series 104.1 309.5	Serie 4 1: 10.3x → 2: 10.2x ↗ 3: 10.6x ↗ 4: 10.4x ↗ 5: 10.6x ↖ 6: 10.4x ↙ 7: 10.5x → 8: 10.4x ↓ 9: 10.9x ↓ 10: 10.9x ↑ Series 105.2 414.7
Serie 5		1: 10.0 ↑ 2: 10.6x ↓ 3: 10.5x ↖ 4: 10.6x ↙ 5: 10.7x ↑ 6: 10.6x ↓ 7: 10.3x → 8: 10.8x ↓ 9: 10.1 ← 10: 10.6x → Series 104.8 519.5	Serie 6 1: 10.4x ↑ 2: 10.5x ↗ 3: 10.3x → 4: 10.6x → 5: 10.7x ↗ 6: 10.2x ↖ 7: 10.6x ↓ 8: 10.3x ↗ 9: 10.6x ↑ 10: 10.6x → Series 104.8 624.3



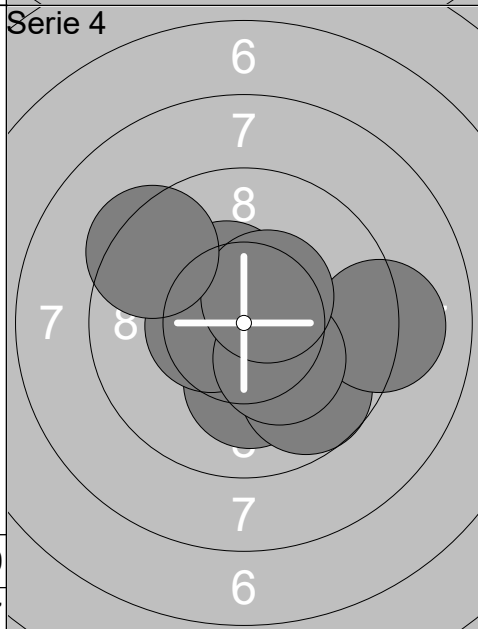
1:	10.4x ↖
2:	10.0 →
3:	10.0 →
4:	9.6 ←
5:	10.2x ↓
6:	10.2x ↗
7:	10.4x ↗
8:	10.0 ↓
9:	10.5x →
10:	10.6x ↖
Series	101.9
	101.9



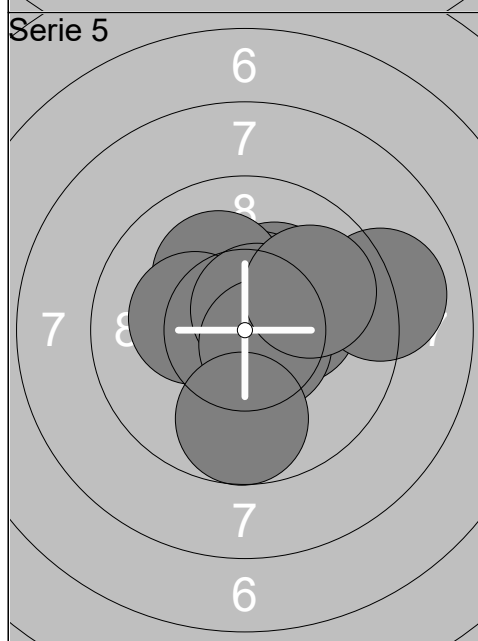
1:	9.3 →
2:	10.4x ↓
3:	10.1 ↖
4:	10.0 ↗
5:	9.9 ←
6:	9.9 ↓
7:	10.3x →
8:	10.7x ↗
9:	10.4x →
10:	10.8x ↑
Series	101.8
	203.7



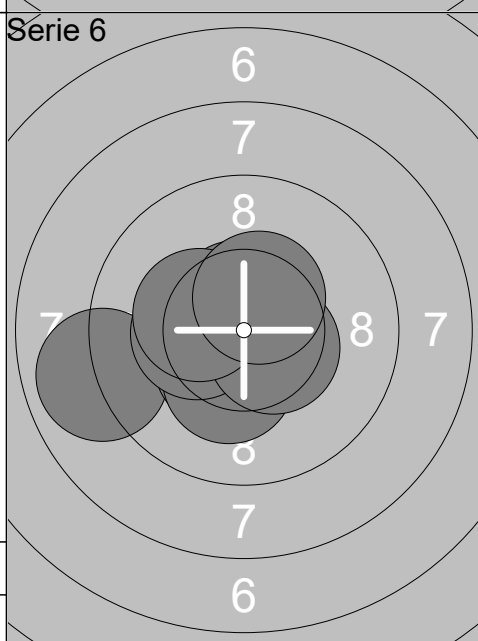
1:	10.5x ↗
2:	9.5 ↓
3:	10.7x ↗
4:	9.8 ←
5:	10.6x ←
6:	9.3 ←
7:	9.8 ←
8:	10.5x →
9:	10.5x ↗
10:	9.8 ↑
Series	101.0
	304.7



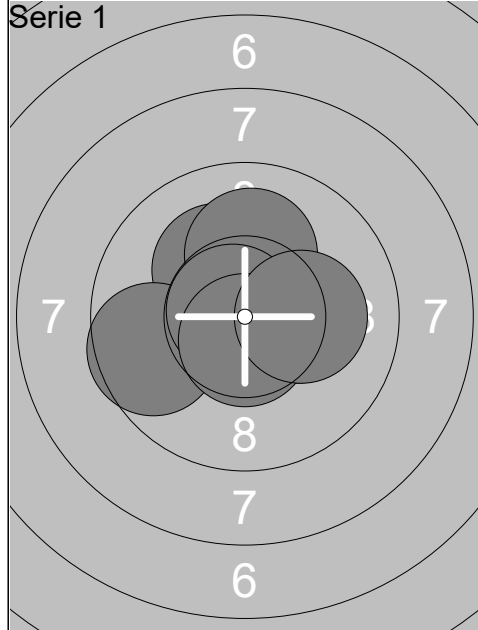
1:	10.9x ↑
2:	10.1 ↓
3:	10.7x ↓
4:	10.4x ↖
5:	10.5x ←
6:	9.7 ↓
7:	9.1 →
8:	10.2x ↓
9:	10.4x ↗
10:	9.3 ↖
Series	101.3
	406.0



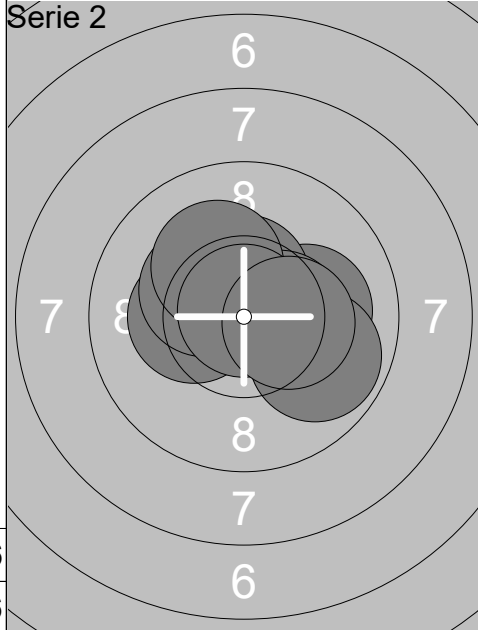
1:	10.3x →
2:	9.0 →
3:	10.2x ↗
4:	10.5x ↑
5:	10.1 ↖
6:	10.2x ←
7:	10.6x ↗
8:	10.6x →
9:	9.7 ↓
10:	9.9 ↗
Series	101.1
	507.1



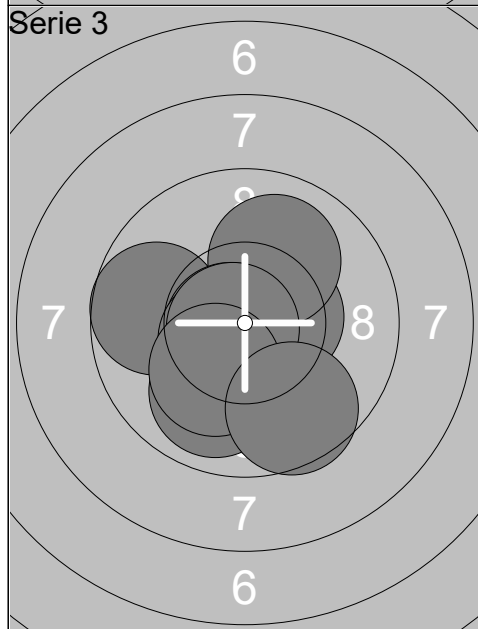
1:	10.6x ↑
2:	8.9 ←
3:	10.4x ←
4:	10.4x ↓
5:	10.7x ↓
6:	10.3x ↓
7:	10.3x ←
8:	10.5x →
9:	10.3x ←
10:	10.4x ↗
Series	102.8
	609.9



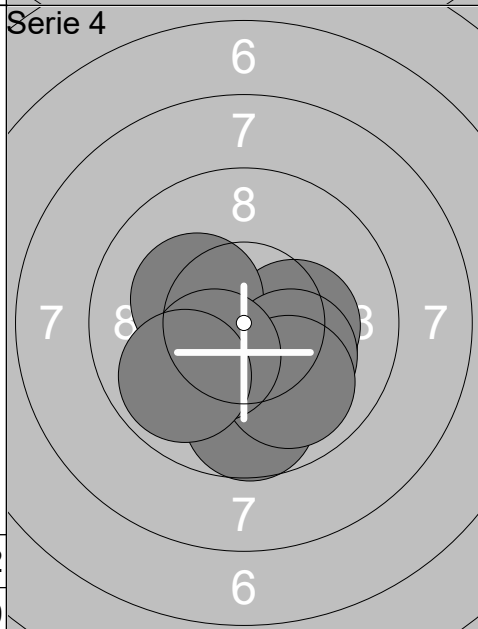
1:	10.7x ↖
2:	10.8x ↘
3:	10.2x →
4:	10.2x ↖
5:	10.5x →
6:	10.1 ↑
7:	9.6 ←
8:	10.7x ↖
9:	10.6x ↓
10:	10.2x →
Series	103.6
	103.6



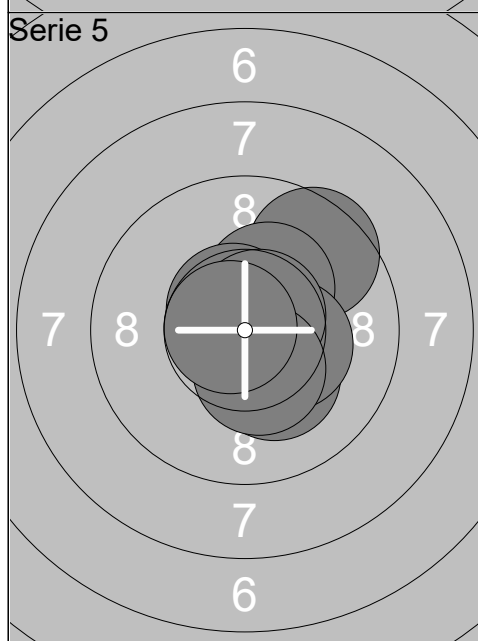
1:	10.3x ↖
2:	10.3x ↖
3:	10.1 →
4:	10.5x ↑
5:	9.8 ↘
6:	10.3x ↖
7:	10.5x →
8:	10.2x ↖
9:	10.8x ↑
10:	10.3x →
Series	103.1
	206.7



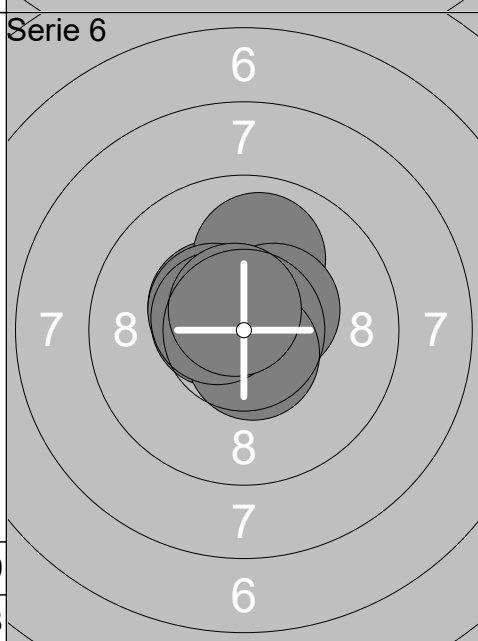
1:	10.4x ↓
2:	10.5x →
3:	9.7 ←
4:	10.0 ↗
5:	10.7x ↖
6:	9.9 ↓
7:	10.6x ↙
8:	10.7x ↖
9:	10.1 ↓
10:	9.6 ↓
Series	102.2
	308.9



1:	10.2x ↘
2:	10.3x →
3:	10.2x ↘
4:	9.7 ↓
5:	10.3x →
6:	10.2x ↖
7:	10.1 ↘
8:	9.9 ↓
9:	10.3x ↙
10:	9.8 ↙
Series	101.0
	409.9

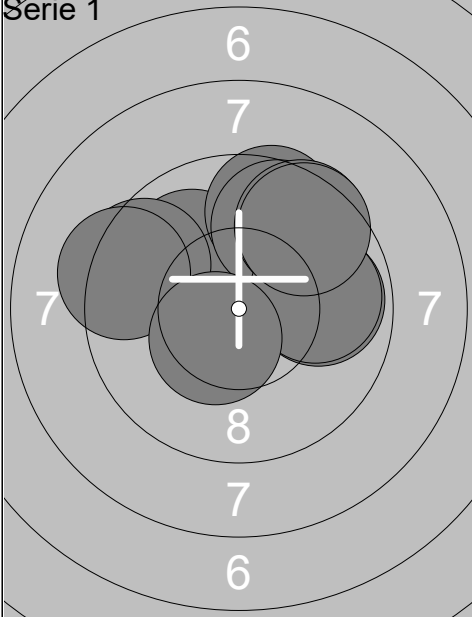
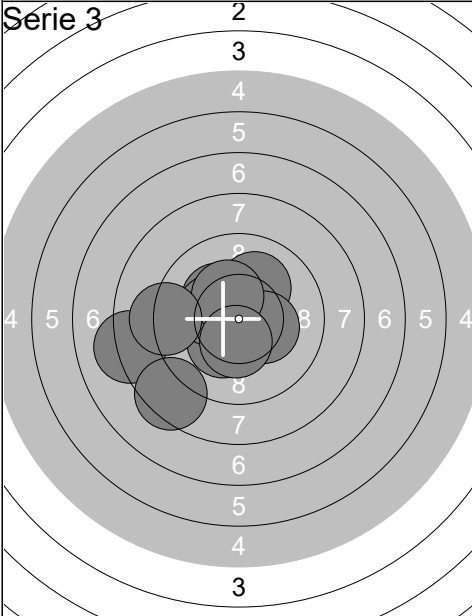
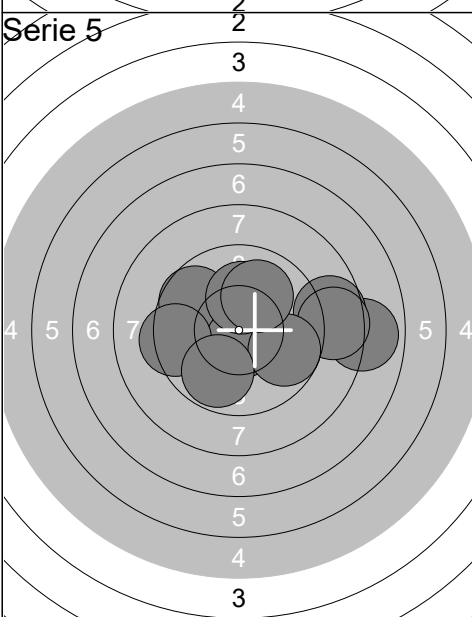


1:	10.2x ↘
2:	9.5 ↗
3:	10.3x ↗
4:	10.7x ↓
5:	10.5x →
6:	10.6x ↖
7:	10.4x →
8:	10.6x ↗
9:	10.4x ↓
10:	10.7x ↖
Series	103.9
	513.8



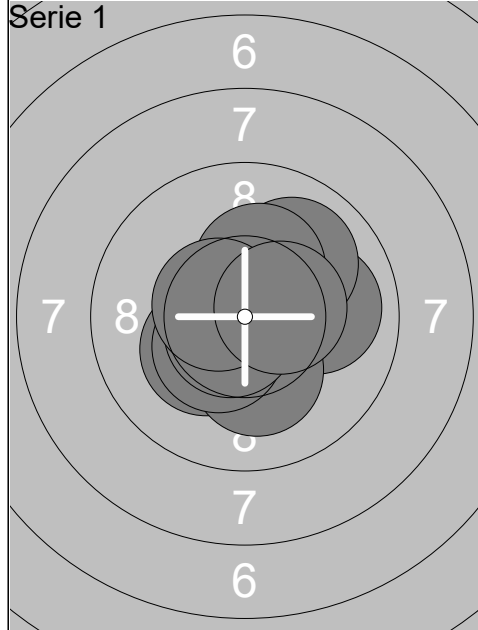
1:	10.5x ↖
2:	10.4x ↖
3:	10.6x ↑
4:	10.9x →
5:	9.9 ↑
6:	10.4x ↗
7:	10.6x ↓
8:	10.4x ↖
9:	10.5x ↖
10:	10.6x ↖
Series	104.8
	618.6

Relay	Lane	Name		
3	16	Henrik Strand		
Gundsøllille Megalink OPE		Viborg Skytte Forening	M	
1.01.2020	GMO2020 Day 3	Gundsøllille OPEN 2020		
Serie 1		1: 10.8x ↓	Serie 2	1: 10.6x ↑
		2: 9.9 ←		2: 9.2 ↖
		3: 10.7x ↓		3: 10.5x ⇒
		4: 10.3x ↗		4: 10.4x ⇒
		5: 10.5x ↖		5: 10.5x ⇒
		6: 10.2x ↖		6: 10.4x ⇒
		7: 9.9 ↓		7: 10.9x ↘
		8: 10.4x ↑		8: 9.8 ⇒
		9: 9.2 ←		9: 10.2x ↖
		10: 9.9 ↗		10: 9.7 ↑
	Series	101.8	Series	102.2
		101.8		204.0
Serie 3		1: 10.0 ←	Serie 4	1: 9.6 ↖
		2: 9.5 ↖		2: 10.8x ⇒
		3: 10.4x ↓		3: 9.7 ←
		4: 9.6 ⇒		4: 10.1 ↖
		5: 10.0 ↑		5: 8.8 ⇒
		6: 10.0 ↑		6: 10.1 ↖
		7: 9.7 ↓		7: 10.4x ↖
		8: 9.3 ↑		8: 9.5 ⇒
		9: 10.9x ⇒		9: 9.4 ↗
		10: 10.0 ↖		10: 9.6 ↑
	Series	99.4	Series	98.0
		303.4		401.4
Serie 5		1: 9.6 ↑	Serie 6	1: 10.2x ⇐
		2: 10.5x ↗		2: 10.0 ↙
		3: 10.3x ↑		3: 10.3x ↑
		4: 10.6x ↗		4: 10.0 ←
		5: 10.3x ⇐		5: 10.3x ⇒
		6: 10.3x ⇐		6: 10.8x ⇒
		7: 10.6x ↓		7: 10.6x ↖
		8: 10.7x ↘		8: 10.2x ↖
		9: 10.2x ↓		9: 10.9x ⇐
		10: 8.6 ←		10: 10.0 ⇒
	Series	101.7	Series	103.3
		503.1		606.4

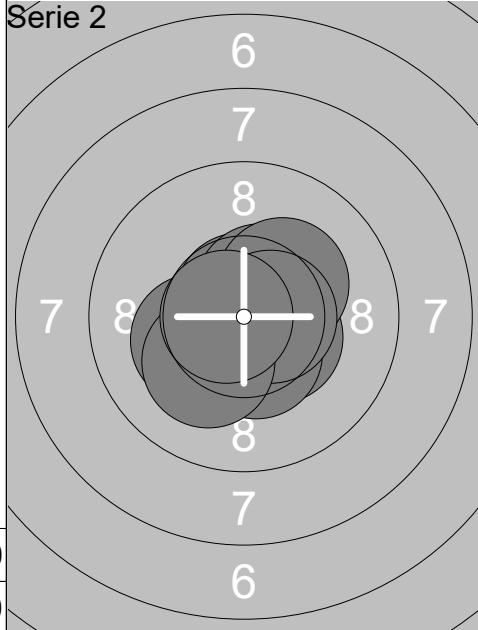
Relay	Lane	Anders Hansen		
3	17	Gundsøllille Megalink OPE	Aalborg Skyttekreds	
1.01.2020	GMO2020 Day 3	M	Gundsøllille OPEN 2020	
Serie 1		1: 10.0 ↖ 2: 9.5 ↗ 3: 9.7 ↗ 4: 9.5 ↖ 5: 9.5 ↗ 6: 9.8 → 7: 9.9 → 8: 9.5 ↗ 9: 9.3 ← 10: 10.4x ↘ Series 97.1 97.1	Serie 2	
Serie 3		1: 10.2x ↘ 2: 8.2 ← 3: 10.1 ↗ 4: 10.3x → 5: 10.2x ↖ 6: 10.3x ↖ 7: 10.3x ↗ 8: 9.1 ← 9: 8.4 ↘ 10: 10.4x ↘ Series 97.5 293.9	Serie 4	
Serie 5		1: 9.7 ↖ 2: 7.9 → 3: 8.6 → 4: 10.7x ↘ 5: 8.6 → 6: 9.7 → 7: 9.3 ← 8: 10.1 ↑ 9: 10.0 ↗ 10: 9.8 ↘ Series 94.4 483.3	Serie 6	
			1: 10.5x ↘ 2: 9.5 ← 3: 10.2x ↗ 4: 10.4x ↑ 5: 10.7x ↖ 6: 10.5x ↖ 7: 9.7 ↗ 8: 9.6 ← 9: 10.7x ↖ 10: 7.5 → Series 99.3 196.4	
			1: 9.8 ↘ 2: 10.2x ← 3: 9.7 ← 4: 8.0 → 5: 10.0 ↗ 6: 9.2 → 7: 9.4 ← 8: 10.7x ↗ 9: 9.6 → 10: 8.4 ← Series 95.0 388.9	
			1: 10.7x ↑ 2: 9.9 ← 3: 10.6x ↑ 4: 9.3 ↖ 5: 9.8 ← 6: 10.2x ↑ 7: 10.4x ↘ 8: 9.6 ↗ 9: 10.3x ← 10: 9.9 ↑ Series 100.7 584.0	

Relay	Lane	Erik Skovmand	
Gundsøllille Megalink OPE	Viborg Skytte Forening	M	
1.01.2020	GMO2020 Day 3	Gundsøllille OPEN 2020	
Serie 1	1: 10.3x ↑ 2: 10.4x → 3: 10.8x → 4: 9.9 ← 5: 10.7x ↑ 6: 9.5 → 7: 10.1 ↑ 8: 10.6x ↗ 9: 10.7x ↖ 10: 10.8x ↑ Series 103.8 103.8	Serie 2	1: 10.2x ↑ 2: 10.5x ↓ 3: 9.4 → 4: 10.6x ↓ 5: 9.5 ↖ 6: 10.5x ↗ 7: 10.5x ↘ 8: 10.2x ↙ 9: 10.4x ↑ 10: 10.3x ← Series 102.1 205.9
Serie 3	1: 10.3x ← 2: 10.5x ↑ 3: 9.8 → 4: 9.7 → 5: 9.9 ↗ 6: 9.8 ↖ 7: 10.3x ↘ 8: 10.8x ↓ 9: 10.0 ↓ 10: 9.9 ↓ Series 101.0 306.9	Serie 4	1: 10.7x ↑ 2: 10.7x ← 3: 10.4x ↘ 4: 10.5x → 5: 10.3x ↖ 6: 10.8x ↗ 7: 9.8 ↓ 8: 9.9 → 9: 10.5x → 10: 10.6x ← Series 104.2 411.1
Serie 5	1: 9.4 ↙ 2: 10.7x ↑ 3: 10.6x ↘ 4: 10.7x → 5: 10.5x ↗ 6: 9.6 ← 7: 10.8x ↓ 8: 10.7x ↑ 9: 10.4x ← 10: 10.0 ↖ Series 103.4 514.5	Serie 6	1: 10.1 ↖ 2: 9.6 → 3: 10.5x → 4: 10.8x ← 5: 9.9 → 6: 10.4x ← 7: 10.1 ↑ 8: 10.5x ↗ 9: 10.7x ↘ 10: 10.5x ↘ Series 103.1 617.6

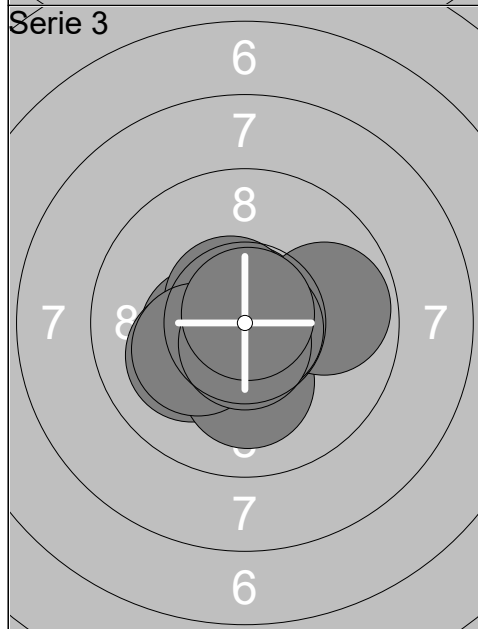
Relay	Lane	Jens Frimand	
3	19	Gundsøllille Megalink OPE	Nykøbing Falster Skf
1.01.2020		GMO2020 Day 3	Gundsøllille OPEN 2020
Serie 1		1: 10.1 ↓ 2: 10.1 ↗ 3: 9.9 ↖ 4: 10.1 ↗ 5: 10.1 ↓ 6: 9.5 ↖ 7: 10.7x ↗ 8: 10.3x ↗ 9: 10.4x ↗ 10: 10.1 ↗ Series 101.3 101.3	Serie 2 1: 9.6 → 2: 9.8 ↘ 3: 10.7x ↗ 4: 10.6x ↖ 5: 10.4x ↗ 6: 9.4 ← 7: 10.0 → 8: 10.5x ← 9: 10.4x ↖ 10: 10.3x ↗ Series 101.7 203.0
Serie 3		1: 10.8x ↓ 2: 9.4 ↓ 3: 9.7 ↙ 4: 9.4 → 5: 10.4x ↙ 6: 10.6x ↗ 7: 9.7 ← 8: 10.1 → 9: 10.0 ↓ 10: 10.6x ↙ Series 100.7 303.7	Serie 4 1: 10.7x ↖ 2: 10.2x ↓ 3: 10.7x ↘ 4: 10.6x ← 5: 10.6x ↗ 6: 10.1 ↗ 7: 9.6 ↓ 8: 9.6 ↗ 9: 10.2x ↙ 10: 9.9 ← Series 102.2 405.9
Serie 5		1: 10.0 → 2: 10.2x ↓ 3: 9.9 ↗ 4: 10.4x ↘ 5: 10.0 ↗ 6: 10.1 ↓ 7: 9.3 ← 8: 9.0 ← 9: 10.8x ↓ 10: 10.5x ↗ Series 100.2 506.1	Serie 6 1: 10.8x ↗ 2: 10.0 → 3: 10.1 ↗ 4: 10.7x ↓ 5: 10.2x ↘ 6: 10.7x ↙ 7: 9.9 ↗ 8: 10.1 ↗ 9: 10.5x ↘ 10: 10.6x ↗ Series 103.6 609.7



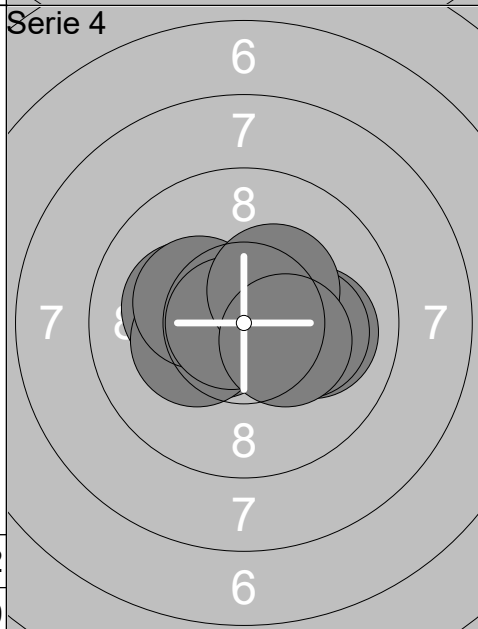
1:	10.0 →
2:	10.4x ↗
3:	10.2x ↙
4:	10.0 ↗
5:	10.3x ↗
6:	10.2x ↓
7:	10.4x ↙
8:	10.6x ↙
9:	10.5x ↖
10:	10.4x →
Series	103.0
	103.0



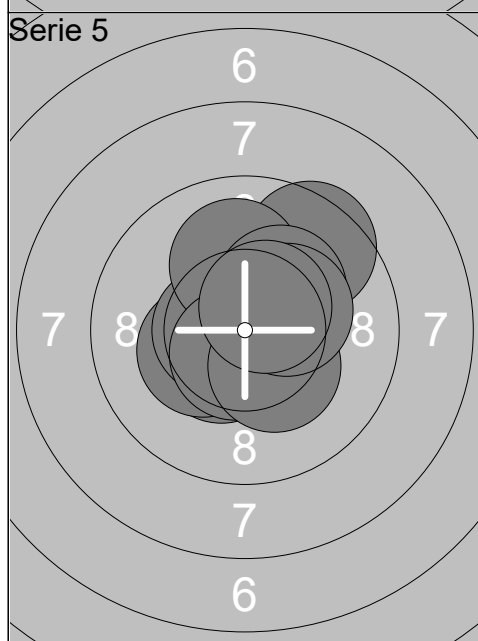
1:	10.7x ↗
2:	10.5x ↗
3:	10.4x ↘
4:	10.3x ↗
5:	10.7x ↓
6:	10.4x ↓
7:	10.6x →
8:	10.2x ↙
9:	10.2x ↙
10:	10.7x ↖
Series	104.7
	207.7



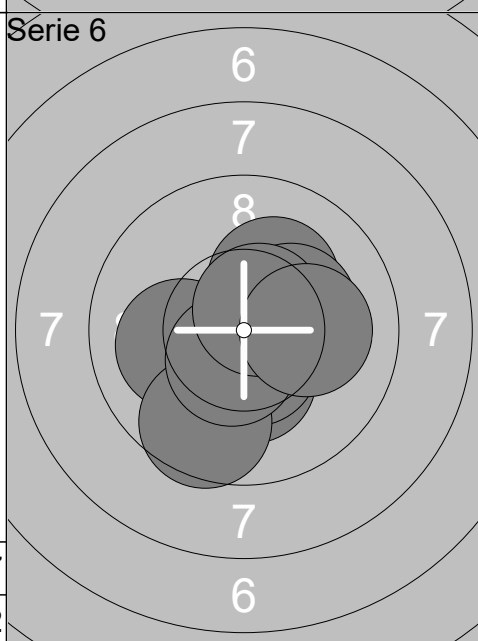
1:	10.4x ↖
2:	10.1 ↖
3:	10.8x ↗
4:	10.1 ↓
5:	10.6x ↘
6:	10.2x ↙
7:	9.8 →
8:	10.7x ↘
9:	10.7x ↓
10:	10.8x ↗
Series	104.2
	311.9



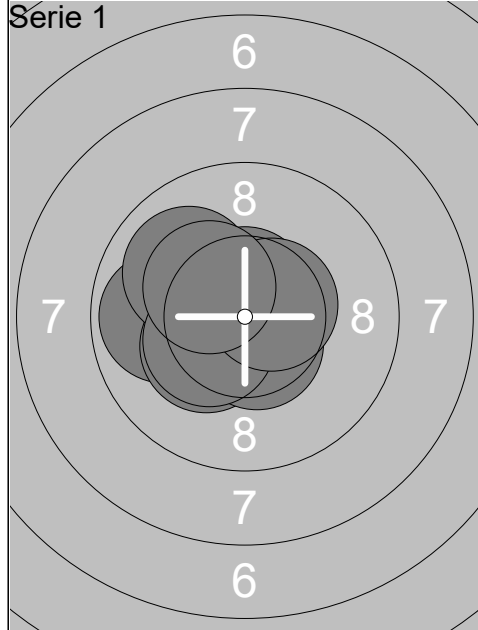
1:	10.5x ↖
2:	10.9x ↖
3:	10.1 ↖
4:	10.0 →
5:	10.3x ↖
6:	10.1 →
7:	10.3x ↖
8:	10.8x ↖
9:	10.3x ↗
10:	10.3x ↘
Series	103.6
	415.5



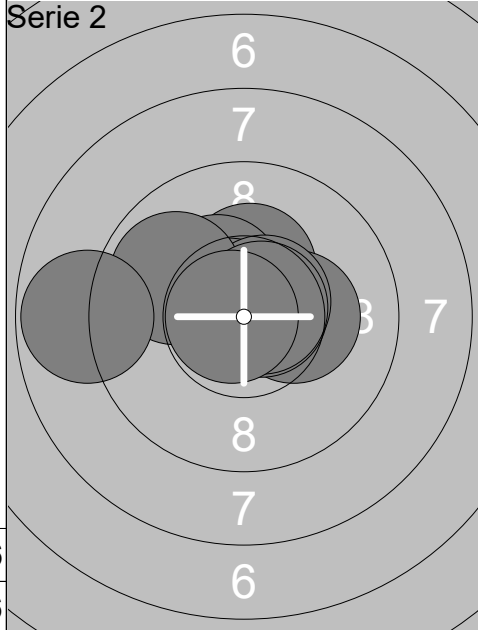
1:	10.4x ↙
2:	10.3x ↖
3:	9.5 ↗
4:	10.6x ↖
5:	10.0 ↗
6:	10.6x ↓
7:	10.3x ↘
8:	10.2x ↗
9:	10.3x ↗
10:	10.5x ↗
Series	102.7
	518.2



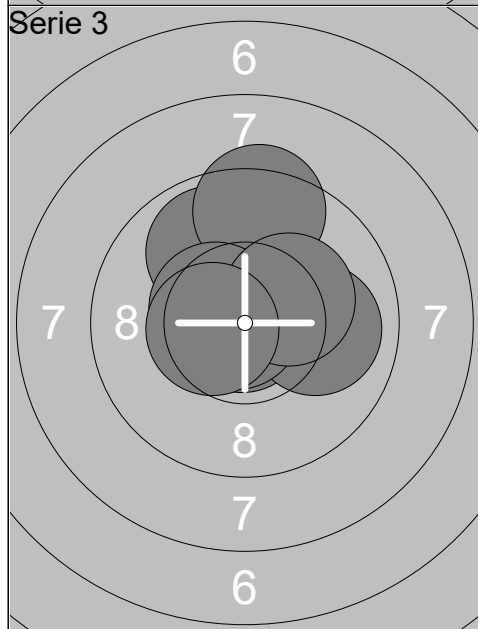
1:	10.2x ↗
2:	10.3x ↓
3:	10.2x ↗
4:	10.5x ↘
5:	10.1 ↖
6:	10.5x ↓
7:	9.6 ↓
8:	10.5x ↓
9:	10.6x ↗
10:	10.1 →
Series	102.6
	620.8



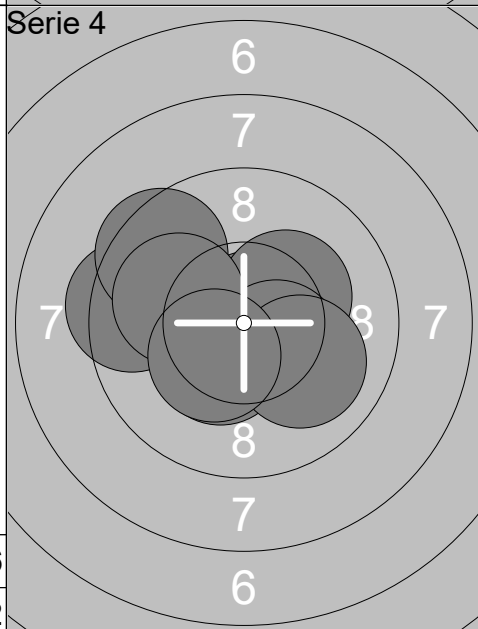
1:	9.8	←
2:	10.3x	↙
3:	10.7x	↖
4:	10.6x	↑
5:	10.5x	↓
6:	10.5x	↖
7:	10.0	↖
8:	10.4x	↙
9:	10.5x	→
10:	10.3x	↖
Series	103.6	
	103.6	



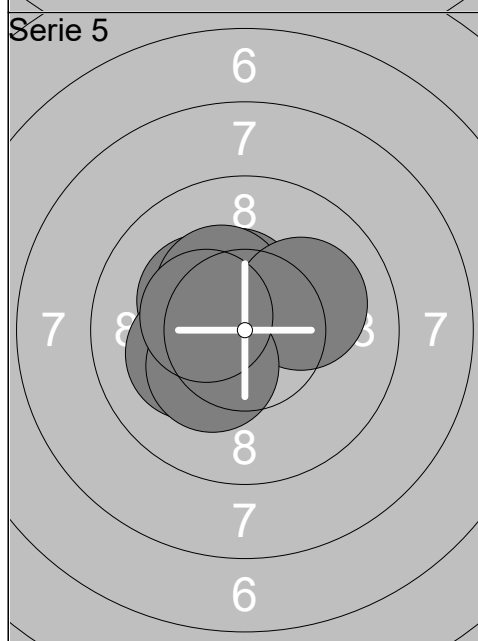
1:	10.3x	↑
2:	10.2x	→
3:	10.3x	↖
4:	10.7x	→
5:	10.7x	↖
6:	10.6x	↗
7:	9.9	↖
8:	10.7x	↗
9:	10.8x	←
10:	8.8	←
Series	103.0	
	206.6	



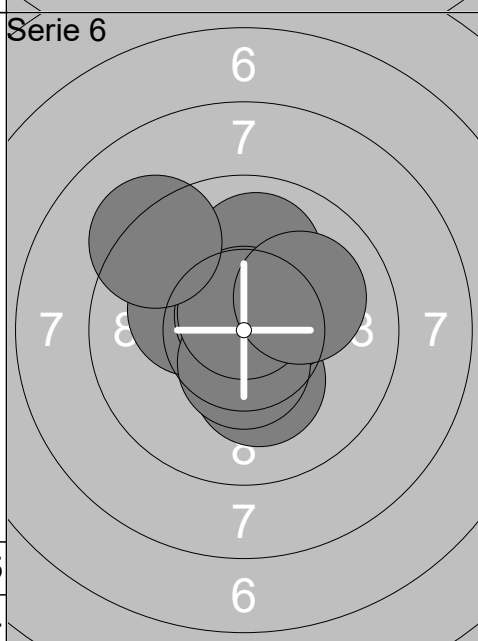
1:	10.7x	↖
2:	10.9x	↙
3:	10.7x	↑
4:	10.0	→
5:	9.9	↖
6:	10.8x	←
7:	9.4	↑
8:	10.5x	↖
9:	10.2x	↗
10:	10.5x	←
Series	103.6	
	310.2	



1:	10.8x	↗
2:	10.3x	↙
3:	9.7	↖
4:	10.3x	↗
5:	9.4	←
6:	10.4x	↘
7:	9.5	↖
8:	10.0	↘
9:	10.0	←
10:	10.3x	↙
Series	100.7	
	410.9	



1:	10.4x	↖
2:	10.6x	←
3:	10.2x	↖
4:	10.5x	↑
5:	10.7x	←
6:	10.3x	↖
7:	10.1	↗
8:	10.1	←
9:	10.3x	↙
10:	10.3x	←
Series	103.5	
	514.4	



1:	10.2x	↓
2:	10.5x	↖
3:	10.5x	↗
4:	10.2x	↖
5:	10.7x	↑
6:	10.5x	↓
7:	10.0	↑
8:	10.7x	↑
9:	10.1	↗
10:	9.2	↖
Series	102.6	
	617.0	