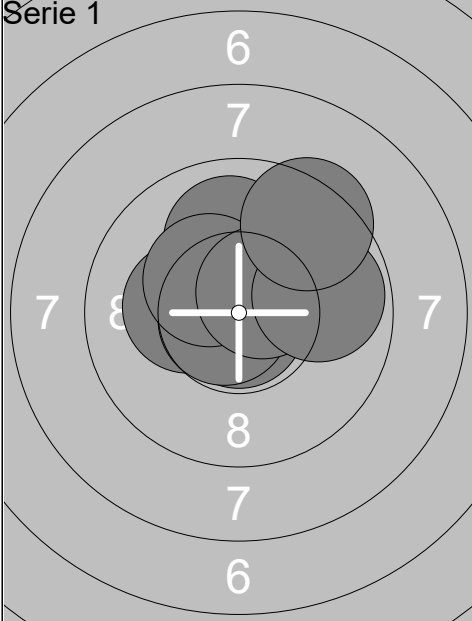
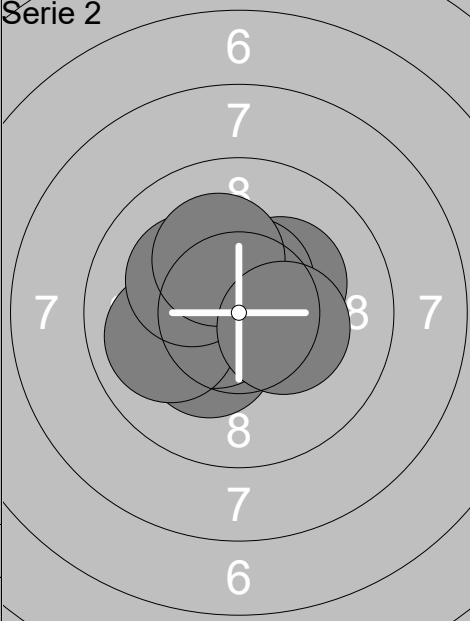
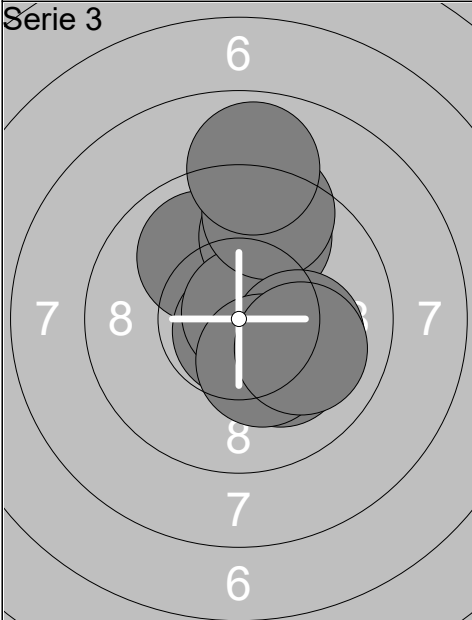
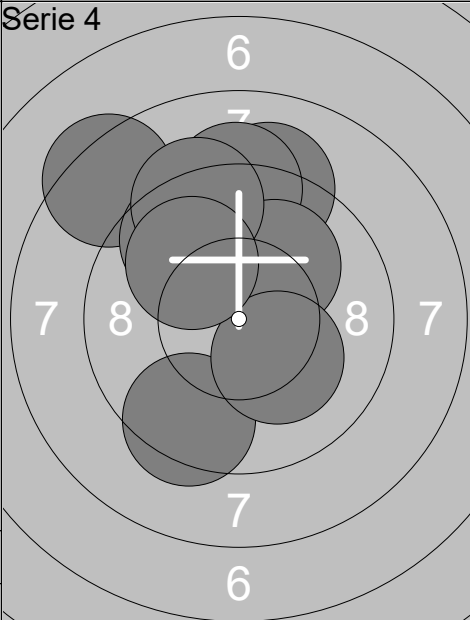
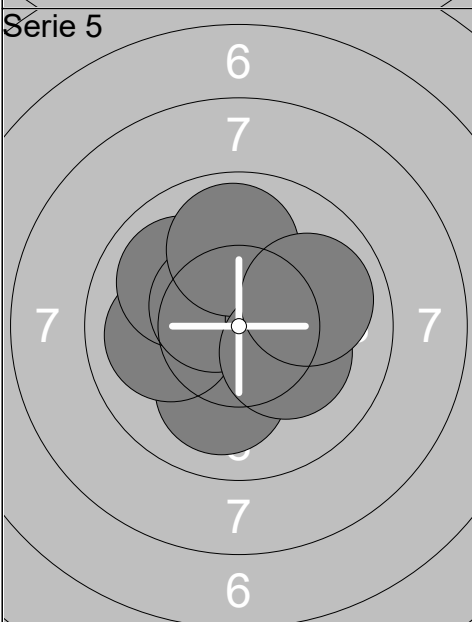
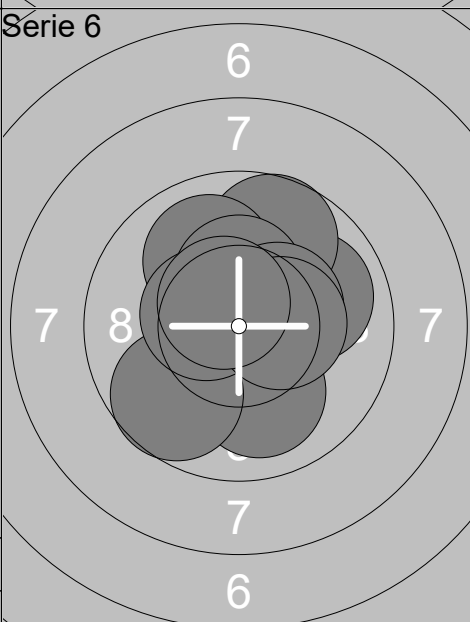
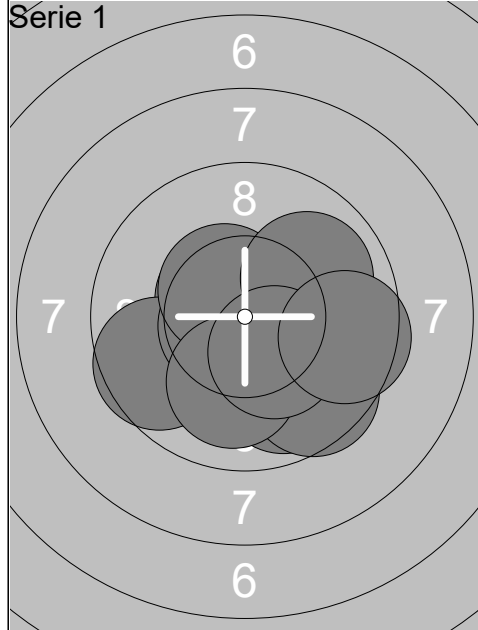
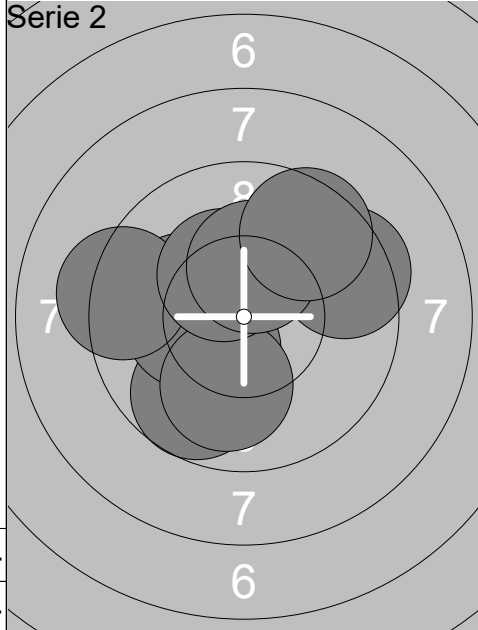


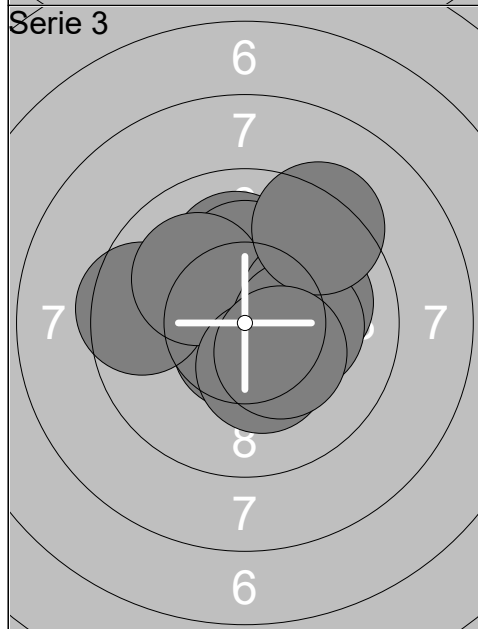
Relay	Lane	Mikkel Warrer	
4	4	Gundsøllille Megalink OPE	Ballerup skytteforening
1.01.2020	GMO2020 Day 3	MJ	
Serie 1		Serie 2	
	1: 10.5x ← 2: 10.9x ↑ 3: 10.0 ↑ 4: 10.8x ↓ 5: 10.2x ← 6: 10.7x ← 7: 10.3x ↖ 8: 10.5x ↗ 9: 9.8 → 10: 9.4 ↗		1: 10.5x ↑ 2: 10.5x → 3: 10.3x ↗ 4: 10.5x ↑ 5: 10.3x ↘ 6: 10.6x ← 7: 9.9 ← 8: 10.1 ↖ 9: 10.1 ↑ 10: 10.3x →
Series 103.1		Series 103.1	
103.1		206.2	
Serie 3		Serie 4	
	1: 10.0 ↖ 2: 10.8x ↓ 3: 9.7 ↑ 4: 10.8x ↗ 5: 9.4 ↑ 6: 10.1 ↘ 7: 10.1 → 8: 10.3x ↘ 9: 10.0 → 10: 8.9 ↑		1: 8.4 ↖ 2: 9.5 ↑ 3: 9.1 ↑ 4: 9.2 ↑ 5: 10.1 ↗ 6: 9.4 ↘ 7: 10.2x ↘ 8: 9.6 ↖ 9: 9.3 ↑ 10: 9.9 ↖
Series 100.1		Series 94.7	
306.3		401.0	
Serie 5		Serie 6	
	1: 10.6x → 2: 10.0 ↓ 3: 10.5x → 4: 10.0 ← 5: 10.0 ↖ 6: 10.5x ↖ 7: 10.2x → 8: 9.9 ↑ 9: 10.2x ↘ 10: 10.0 →		1: 9.9 → 2: 9.7 ↑ 3: 9.9 ↖ 4: 10.0 ↓ 5: 10.3x ↑ 6: 9.7 ↘ 7: 10.5x ← 8: 10.4x ↗ 9: 10.4x → 10: 10.5x ↖
Series 101.9		Series 101.3	
502.9		604.2	



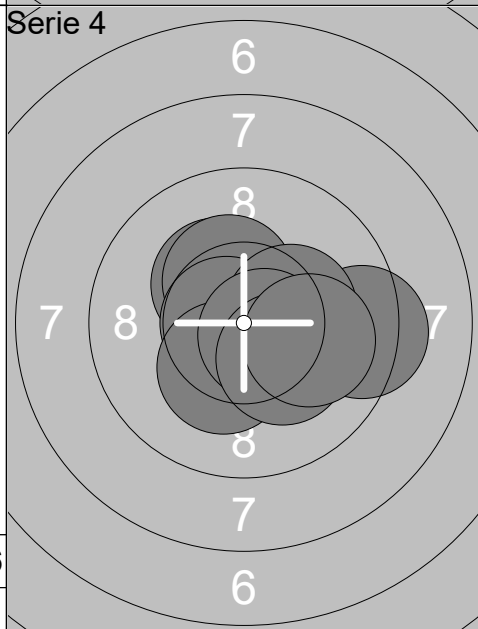
1:	9.9	↘
2:	9.6	↘
3:	10.5x	↗
4:	9.6	↙
5:	10.6x	↙
6:	10.5x	↗
7:	9.9	↗
8:	10.0	↓
9:	10.3x	↘
10:	9.5	→
<b>Series</b>	<b>100.4</b>	
	<b>100.4</b>	



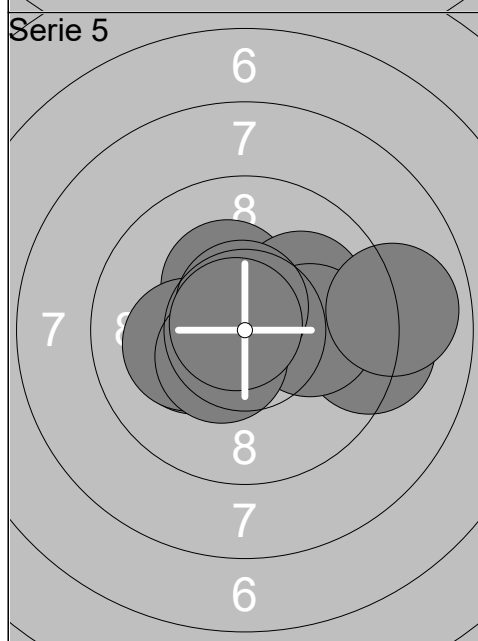
1:	10.3x	↙
2:	10.1	↙
3:	9.7	↘
4:	10.2x	↙
5:	10.0	↓
6:	9.3	↙
7:	10.3x	↗
8:	9.4	↗
9:	10.3x	↑
10:	9.5	↗
<b>Series</b>	<b>99.1</b>	
	<b>199.5</b>	



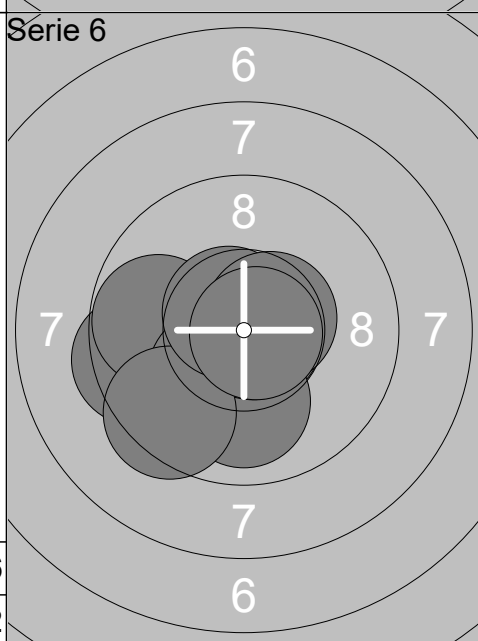
1:	10.6x	↓
2:	9.5	↙
3:	10.1	↑
4:	10.2x	↑
5:	10.1	↗
6:	10.3x	↘
7:	10.0	→
8:	10.2x	→
9:	9.3	↗
10:	10.3x	↘
<b>Series</b>	<b>100.6</b>	
	<b>300.1</b>	



1:	10.5x	↗
2:	10.3x	↗
3:	10.3x	↗
4:	9.3	→
5:	10.7x	↙
6:	10.3x	→
7:	10.3x	↘
8:	10.6x	↘
9:	10.2x	↘
10:	10.0	→
<b>Series</b>	<b>102.5</b>	
	<b>402.6</b>	

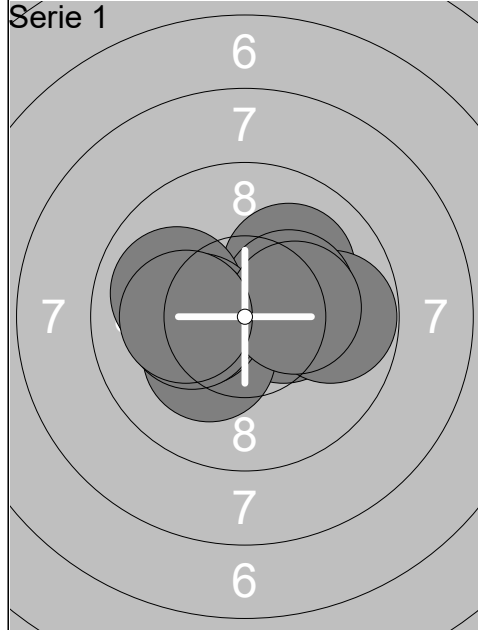


1:	10.2x	↙
2:	10.3x	↗
3:	10.1	↗
4:	9.2	→
5:	10.1	↙
6:	10.0	→
7:	10.6x	↑
8:	10.4x	↙
9:	8.9	→
10:	10.8x	↙
<b>Series</b>	<b>100.6</b>	
	<b>503.2</b>	

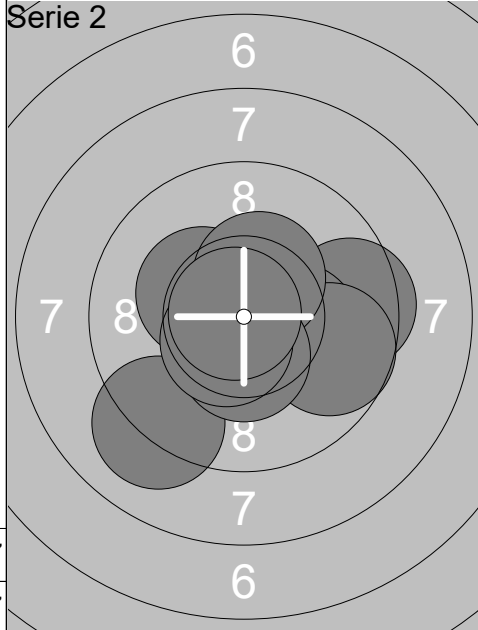


1:	10.7x	↘
2:	9.5	↙
3:	9.8	↙
4:	10.2x	↘
5:	10.0	↓
6:	10.8x	→
7:	9.4	↘
8:	10.6x	↗
9:	10.5x	→
10:	10.8x	→
<b>Series</b>	<b>102.3</b>	
	<b>605.5</b>	

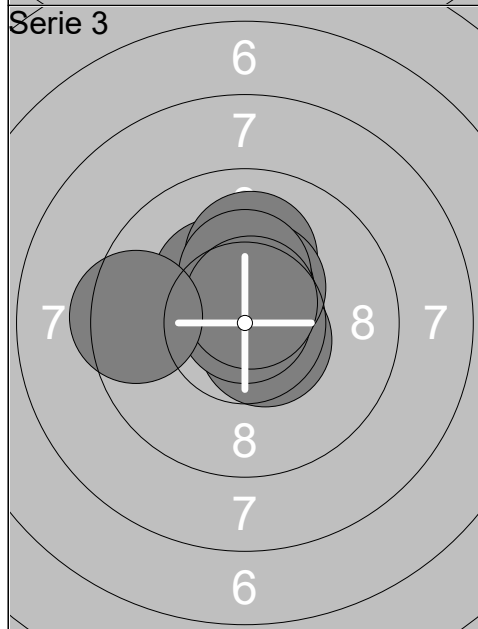
Relay	Lane	Name	
4	6	Marcus Ekdahl	
Gundsøllille Megalink OPE		Åkarps Sportskyttar	MJ
1.01.2020		GMO2020 Day 3	Gundsøllille OPEN 2020
Serie 1		1: 10.1 ↑ 2: 10.7x ← 3: 9.6 ↗ 4: 10.2x ↗ 5: 10.1 ↙ 6: 10.6x ↑ 7: 10.1 ← 8: 10.5x ↙ 9: 10.7x ← 10: 10.5x ↗ Series 103.1 103.1	Serie 2 1: 10.0 ← 2: 10.2x ← 3: 10.9x ↑ 4: 10.0 ← 5: 10.8x ↗ 6: 10.2x ← 7: 10.6x ↗ 8: 10.5x ↑ 9: 10.7x ↑ 10: 10.5x ← Series 104.4 207.5
Serie 3		1: 10.7x ↓ 2: 9.5 ↖ 3: 10.5x ↗ 4: 10.3x ↓ 5: 10.4x ↓ 6: 10.2x ↓ 7: 10.6x ↓ 8: 10.4x ↗ 9: 10.6x ↗ 10: 9.9 ↗ Series 103.1 310.6	Serie 4 1: 9.7 ↙ 2: 10.6x ↖ 3: 10.3x ↗ 4: 10.0 ↓ 5: 10.5x ↗ 6: 10.4x ↗ 7: 8.5 ← 8: 10.2x ↑ 9: 10.3x ← 10: 10.8x ↖ Series 101.3 411.9
Serie 5		1: 10.9x → 2: 10.0 ↑ 3: 10.7x ↙ 4: 10.3x ↓ 5: 9.5 ↓ 6: 9.5 ← 7: 10.6x ↓ 8: 10.8x ↓ 9: 10.5x → 10: 10.9x ↙ Series 103.7 515.6	Serie 6 1: 10.5x ↙ 2: 10.6x → 3: 9.9 → 4: 9.9 ↗ 5: 10.3x ↖ 6: 10.5x ↑ 7: 9.8 ← 8: 10.4x ↙ 9: 10.7x ↙ 10: 9.6 ↑ Series 102.2 617.8



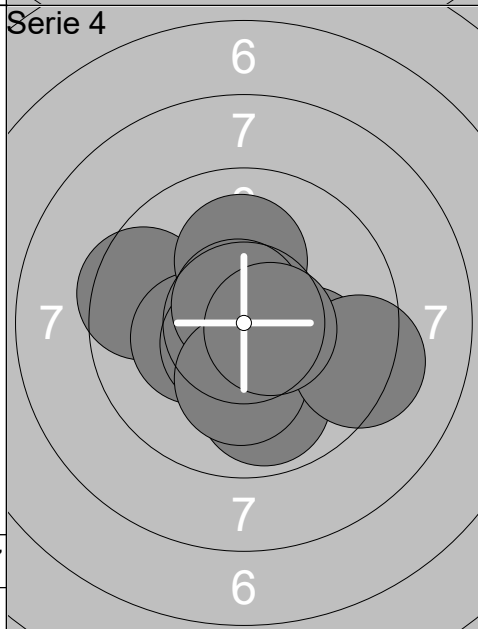
1:	10.4x →
2:	10.1 ↗
3:	9.8 →
4:	10.3x ↗
5:	10.0 ←
6:	10.2x ↘
7:	10.3x ←
8:	10.2x ←
9:	10.3x →
10:	10.1 ←
<b>Series</b>	<b>101.7</b>
	<b>101.7</b>



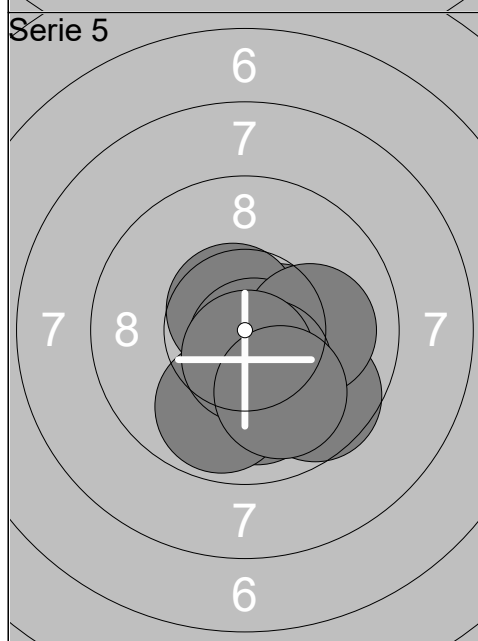
1:	9.1 ↙
2:	9.5 →
3:	10.2x →
4:	9.7 →
5:	10.8x ←
6:	10.3x ↖
7:	10.4x ↗
8:	10.4x ↓
9:	10.5x ↘
10:	10.8x ↖
<b>Series</b>	<b>101.7</b>
	<b>203.4</b>



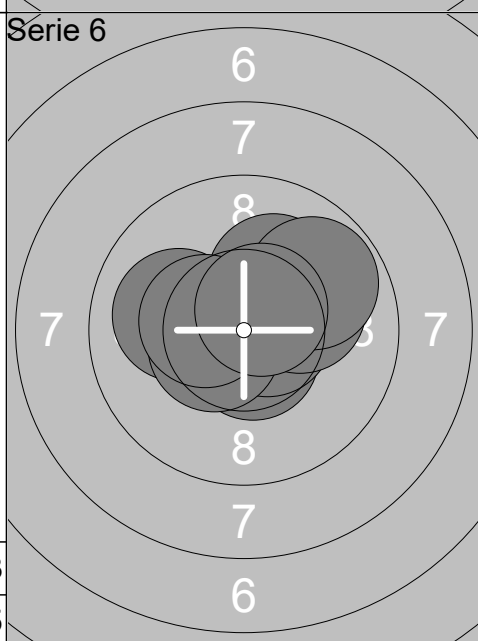
1:	10.3x ↖
2:	10.0 ↑
3:	10.7x →
4:	10.6x ↘
5:	10.8x ↑
6:	10.4x ↗
7:	10.5x ↑
8:	10.3x ↑
9:	10.6x ↑
10:	9.5 ←
<b>Series</b>	<b>103.7</b>
	<b>307.1</b>



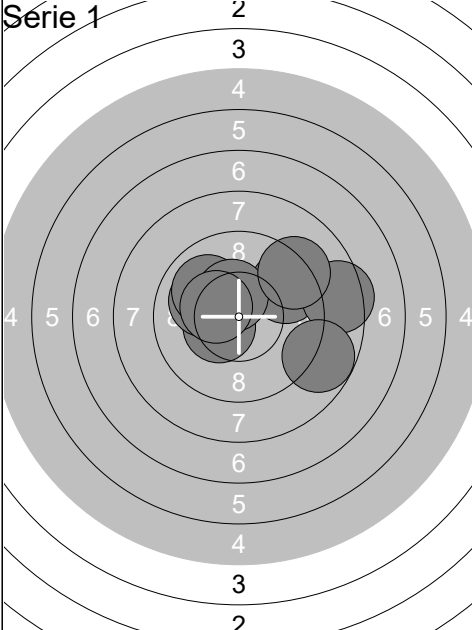
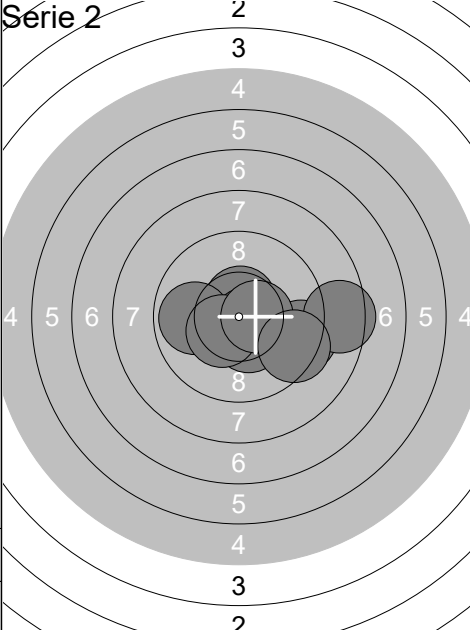
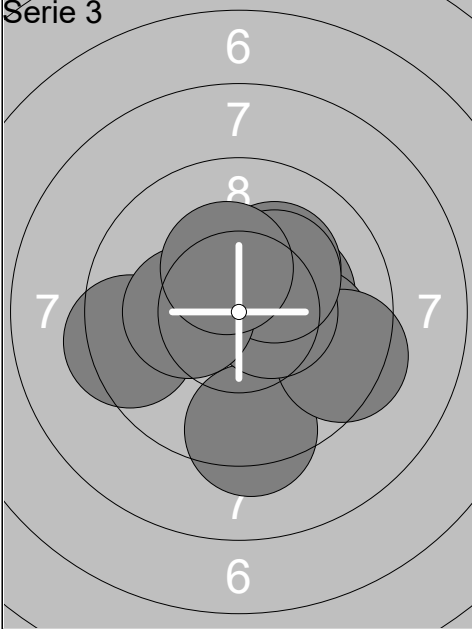
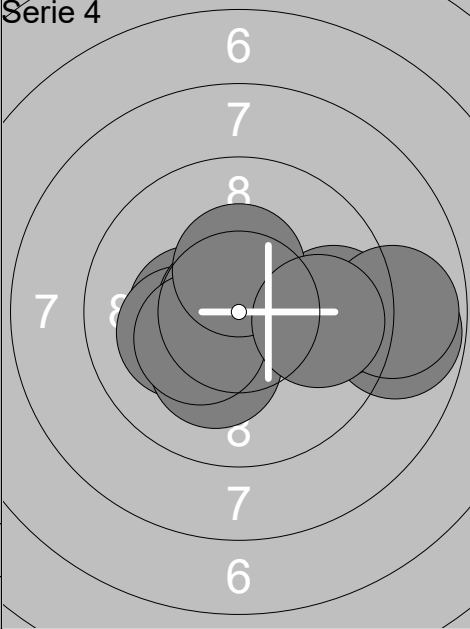
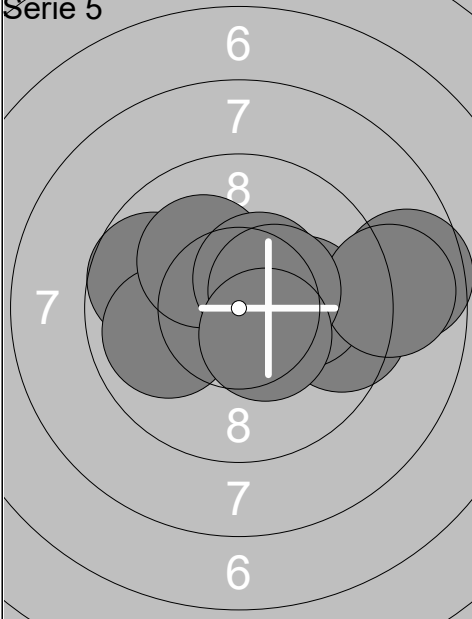
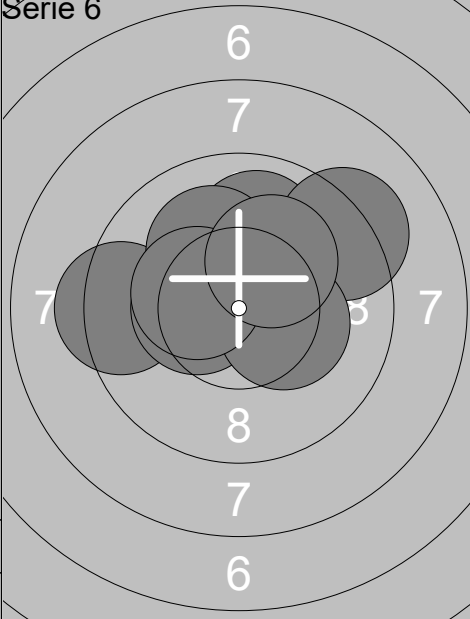
1:	9.5 ←
2:	10.0 →
3:	10.3x ←
4:	10.1 ↑
5:	10.6x ↘
6:	10.7x ↗
7:	9.8 ↓
8:	10.2x ↓
9:	9.3 →
10:	10.6x →
<b>Series</b>	<b>101.1</b>
	<b>408.2</b>



1:	9.6 ↘
2:	10.5x →
3:	10.6x ↖
4:	10.0 ↓
5:	10.7x ↘
6:	10.1 →
7:	9.9 ↓
8:	10.4x ↘
9:	10.6x ↓
10:	9.9 ↘
<b>Series</b>	<b>102.3</b>
	<b>510.5</b>

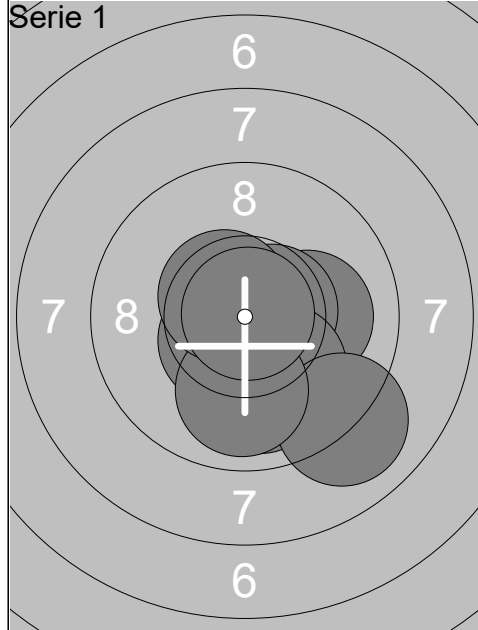


1:	10.6x ↓
2:	10.6x →
3:	10.5x ←
4:	10.2x ↗
5:	10.0 ←
6:	10.5x ←
7:	10.1 →
8:	9.8 ↗
9:	10.4x ←
10:	10.6x ↗
<b>Series</b>	<b>103.3</b>
	<b>613.8</b>

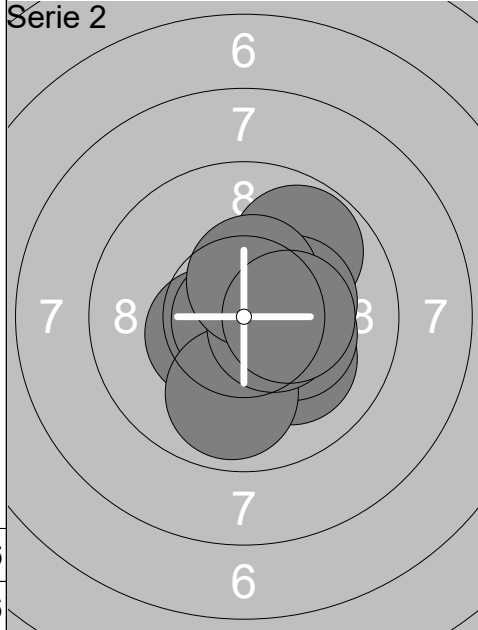
Relay	Lane	Jonas Andersen			
Gundsøllille Megalink OPE	Trehøje Skytteforening	MJ			
1.01.2020	GMO2020 Day 3	Gundsøllille OPEN 2020			
Série 1		1: 10.4x ↙ 2: 9.6 → 3: 10.0 ↖ 4: 10.0 ↖ 5: 9.9 ↖ 6: 10.4x ↑ 7: 8.5 → 8: 10.3x ↖ 9: 8.7 → 10: 9.2 ↗	Série 2		1: 10.6x ↑ 2: 9.8 ← 3: 10.7x ↘ 4: 9.3 → 5: 10.6x ↓ 6: 10.4x ↓ 7: 10.4x ↙ 8: 10.5x → 9: 8.4 → 10: 9.4 ↘
	Series 97.0		Series 100.1		
	97.0		197.1		
Série 3		1: 9.4 ← 2: 10.2x → 3: 10.0 → 4: 9.3 ↓ 5: 9.4 → 6: 10.2x ↗ 7: 10.5x → 8: 10.2x ↗ 9: 10.2x ← 10: 10.3x ↑	Série 4		1: 10.3x ← 2: 10.1 ← 3: 8.8 → 4: 10.2x ↓ 5: 9.7 → 6: 10.7x ↖ 7: 10.3x ↙ 8: 8.9 → 9: 10.4x ↑ 10: 9.8 →
	Series 99.7		Series 99.2		
	296.8		396.0		
Série 5		1: 9.5 → 2: 9.7 ← 3: 8.6 → 4: 10.1 → 5: 9.9 ← 6: 10.1 ↗ 7: 8.9 → 8: 10.5x ↗ 9: 10.4x → 10: 10.4x ↘	Série 6		1: 10.1 ↑ 2: 9.9 ↑ 3: 9.4 ← 4: 10.4x ← 5: 10.4x ↗ 6: 9.2 ↗ 7: 10.1 ↖ 8: 10.3x → 9: 10.3x ↖ 10: 10.1 ↗
	Series 98.1		Series 100.2		
	494.1		594.3		

Gundsøllille Megalink Open 2020

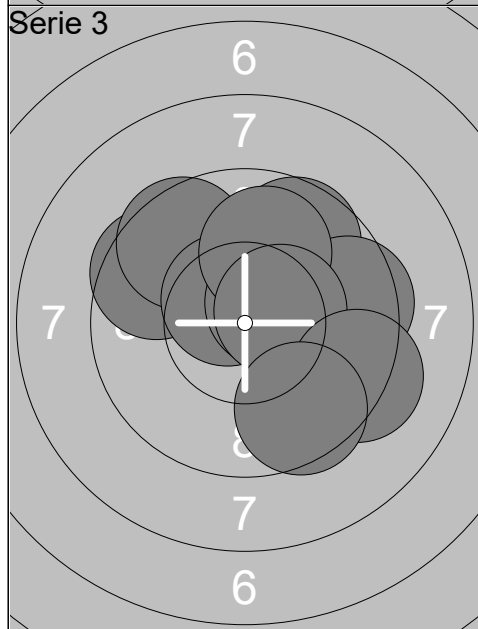
Relay	Lane	Tobias Bernhoft-Osa		
Gundsøllille Megalink OPE	Norges Skytterforbund	MJ		
1.01.2020	GMO2020 Day 3	Gundsøllille OPEN 2020		
<b>Serie 1</b> 	1: 10.2x ←	<b>Serie 2</b> 	1: 10.3x ↓	
	2: 10.4x ↙		2: 10.0 ↗	
	3: 10.5x ↖		3: 10.6x ↙	
	4: 10.5x →		4: 10.2x ↗	
	5: 10.1 ↗		5: 9.6 ↖	
	6: 10.4x →		6: 10.0 ←	
	7: 9.4 ↗		7: 10.0 ↘	
	8: 9.8 ↖		8: 9.7 ↗	
	9: 9.5 →		9: 10.2x ↗	
	10: 9.9 ↑		10: 10.4x ↖	
	<b>Series</b> 100.7		<b>Series</b> 101.0	
	100.7		201.7	
<b>Serie 3</b> 	1: 10.7x ↖	<b>Serie 4</b> 	1: 10.6x ↑	
	2: 9.4 ↗		2: 10.4x ↙	
	3: 9.9 →		3: 10.3x ↖	
	4: 10.2x ←		4: 10.3x ↘	
	5: 9.8 →		5: 10.7x ↘	
	6: 10.3x ↑		6: 10.3x ↑	
	7: 9.9 ↗		7: 10.4x ↖	
	8: 9.9 ↘		8: 10.8x ↑	
	9: 10.0 →		9: 10.7x →	
	10: 10.3x ←		10: 10.8x →	
	<b>Series</b> 100.4		<b>Series</b> 105.3	
	302.1		407.4	
<b>Serie 5</b> 	1: 10.1 ↗	<b>Serie 6</b> 	1: 10.5x →	
	2: 10.8x ↑		2: 10.6x ↙	
	3: 10.4x ↙		3: 10.9x →	
	4: 9.9 ↓		4: 10.4x ↑	
	5: 9.9 ↗		5: 10.0 ↑	
	6: 9.8 ↗		6: 10.8x ↓	
	7: 10.4x ↘		7: 10.6x ↑	
	8: 10.4x ↖		8: 10.5x ↗	
	9: 9.5 ↑		9: 10.5x ↓	
	10: 10.7x ↘		10: 10.5x ↗	
	<b>Series</b> 101.9		<b>Series</b> 105.3	
	509.3		614.6	



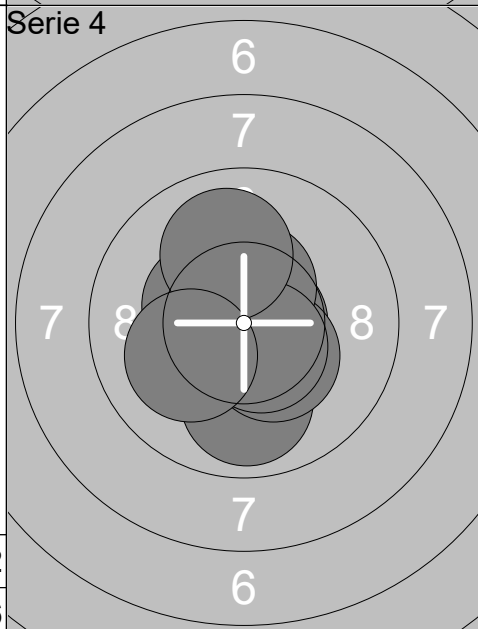
1:	10.1 →
2:	10.6x →
3:	10.0 ↓
4:	10.0 ↓
5:	10.1 ↓
6:	9.0 ↓
7:	10.5x ↙
8:	9.9 ↓
9:	10.5x ↗
10:	10.9x ↗
<b>Series 101.6</b>	
101.6	



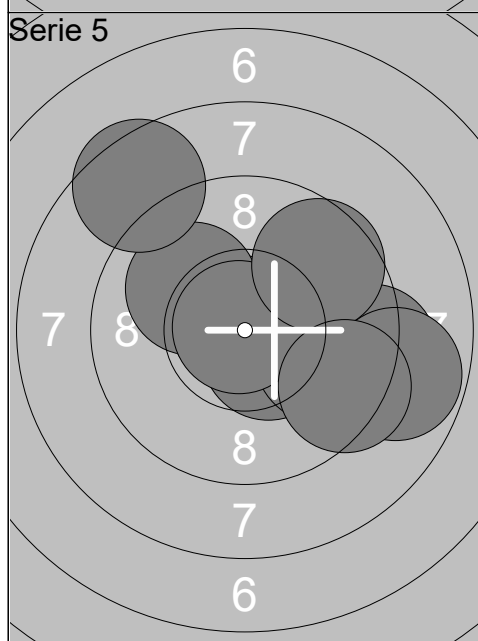
1:	10.1 ↘
2:	10.4x ↙
3:	10.3x →
4:	9.8 ↗
5:	10.3x →
6:	10.8x ↙
7:	9.9 ↓
8:	10.5x →
9:	10.4x ↑
10:	10.3x →
<b>Series 102.8</b>	
204.4	



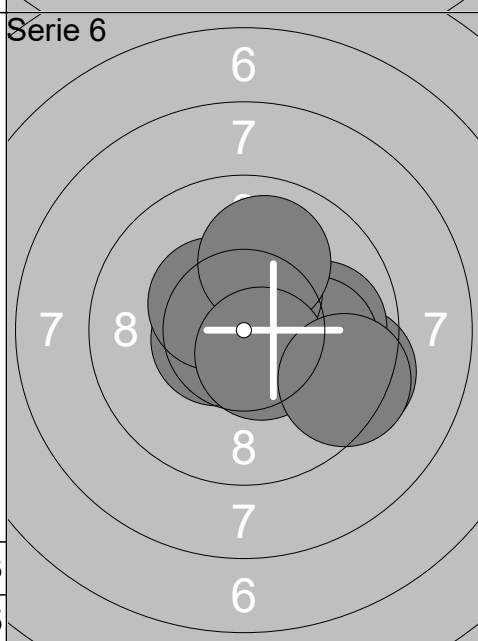
1:	9.6 ↗
2:	9.5 ↙
3:	9.6 ↗
4:	10.5x ↗
5:	9.5 →
6:	10.5x ↗
7:	9.9 ↑
8:	10.4x →
9:	9.2 ↘
10:	9.5 ↓
<b>Series 98.2</b>	
302.6	



1:	10.4x ↙
2:	10.7x →
3:	10.4x ↙
4:	10.8x ↓
5:	9.9 ↓
6:	10.4x ↘
7:	10.4x ↑
8:	10.5x ↘
9:	10.0 ↑
10:	10.1 ↙
<b>Series 103.6</b>	
406.2	



1:	10.5x ↘
2:	9.8 →
3:	9.2 →
4:	10.8x ↗
5:	10.0 ↗
6:	10.8x ↙
7:	8.8 →
8:	9.6 ↗
9:	9.3 ↘
10:	8.5 ↗
<b>Series 97.3</b>	
503.5	



1:	9.4 →
2:	9.9 →
3:	10.8x →
4:	10.0 →
5:	10.5x ↙
6:	10.4x ↑
7:	10.4x ↙
8:	10.0 ↑
9:	10.5x ↘
10:	9.4 →
<b>Series 101.3</b>	
604.8	

Relay	Lane	Victor Lindgren	
Gundsøllille Megalink OPE	Sjöbo Ungdomsskyttegilde	MJ	
1.01.2020	GMO2020 Day 3	Gundsøllille OPEN 2020	
<b>Serie 1</b>	1: 10.6x ↗ 2: 10.5x ↗ 3: 10.7x ↓ 4: 10.9x ↗ 5: 10.6x ↓ 6: 10.6x → 7: 10.7x ↑ 8: 10.4x ↖ 9: 10.3x ↙ 10: 10.3x ↑ Series 105.6 105.6	<b>Serie 2</b>	1: 10.7x ← 2: 10.6x ↘ 3: 10.7x ↑ 4: 10.5x ↖ 5: 10.4x ← 6: 10.2x ↗ 7: 10.3x ← 8: 10.7x → 9: 10.7x ↑ 10: 10.5x ↗ Series 105.3 210.9
<b>Serie 3</b>	1: 10.7x ↘ 2: 10.3x ↗ 3: 10.7x ↗ 4: 10.2x ↑ 5: 10.8x ↖ 6: 10.3x ↗ 7: 10.3x ↓ 8: 10.4x → 9: 10.5x ↗ 10: 10.5x ↘ Series 104.7 315.6	<b>Serie 4</b>	1: 10.8x ↑ 2: 10.7x ↓ 3: 10.3x ↓ 4: 10.6x ↘ 5: 9.9 ↘ 6: 10.7x ← 7: 10.2x ← 8: 10.5x ↘ 9: 10.7x → 10: 10.6x ← Series 105.0 420.6
<b>Serie 5</b>	1: 10.6x ↑ 2: 10.4x ↓ 3: 10.2x ↘ 4: 10.5x ↙ 5: 10.7x ↑ 6: 10.2x ← 7: 10.8x ↗ 8: 10.4x ↑ 9: 10.7x ↗ 10: 10.4x → Series 104.9 525.5	<b>Serie 6</b>	1: 10.6x ↗ 2: 10.9x → 3: 10.5x ↗ 4: 10.5x ↖ 5: 10.5x ↖ 6: 10.6x ← 7: 10.3x ↖ 8: 10.2x ← 9: 10.5x ↑ 10: 9.1 ↖ Series 103.7 629.2



Relay	Lane	Emil L. Nielsen	
4	12	Gundsøllille Megalink OPE	Aalborg Skyttekreds
1.01.2020		GMO2020 Day 3	Gundsøllille OPEN 2020
<b>Serie 1</b> 	1: 10.7x →	<b>Serie 2</b> 	1: 10.3x ↓
	2: 10.0 →		2: 10.2x ↙
	3: 10.6x ↑		3: 10.1 →
	4: 10.4x ←		4: 10.5x ↓
	5: 10.6x ↓		5: 10.6x ↓
	6: 10.1 ←		6: 9.5 ←
	7: 10.1 ↓		7: 9.7 ↙
	8: 9.8 →		8: 10.7x ↓
	9: 10.3x →		9: 10.4x ↑
	10: 10.1 ←		10: 10.4x ↑
	<b>Series 102.7</b>		<b>Series 102.4</b>
	102.7		205.1
<b>Serie 3</b> 	1: 10.2x ↑	<b>Serie 4</b> 	1: 10.5x →
	2: 10.8x ←		2: 9.6 →
	3: 10.4x ↓		3: 9.8 ↑
	4: 9.8 →		4: 9.6 →
	5: 9.9 ←		5: 9.4 ←
	6: 9.6 ←		6: 10.6x ↓
	7: 10.7x ↓		7: 10.4x ↑
	8: 9.5 ←		8: 10.7x ↘
	9: 10.6x ↗		9: 10.2x ↑
	10: 10.0 ↓		10: 10.6x ↓
	<b>Series 101.5</b>		<b>Series 101.4</b>
	306.6		408.0
<b>Serie 5</b> 	1: 10.3x ↘	<b>Serie 6</b> 	1: 10.0 →
	2: 9.5 ↑		2: 10.8x ↘
	3: 10.4x ↗		3: 10.1 ←
	4: 9.9 ↑		4: 10.6x ↗
	5: 10.6x ↑		5: 10.8x →
	6: 8.9 ←		6: 10.3x ↘
	7: 10.5x →		7: 10.1 ←
	8: 10.5x ↓		8: 9.4 →
	9: 9.5 ←		9: 9.9 ↙
	10: 10.4x ←		10: 10.5x ←
	<b>Series 100.5</b>		<b>Series 102.5</b>
	508.5		611.0

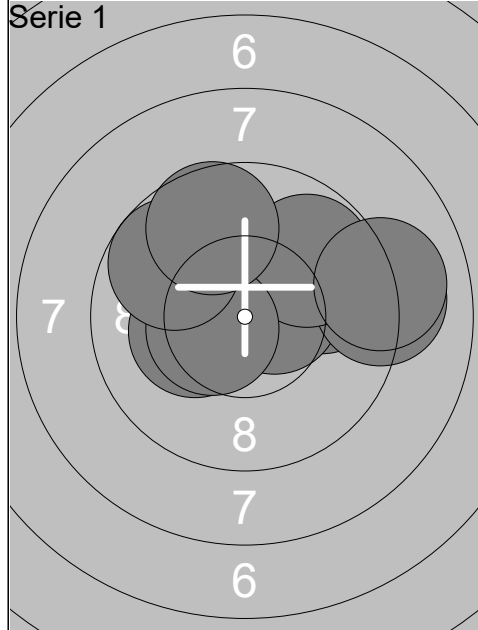
Relay	Lane	Niclas Hejslet	
Gundsøllille Megalink OPE	BPI	MJ	
1.01.2020	GMO2020 Day 3	Gundsøllille OPEN 2020	
<b>Serie 1</b>	1: 10.4x ← 2: 10.6x ← 3: 10.0 ↑ 4: 10.2x ↓ 5: 10.4x ↓ 6: 9.8 ↑ 7: 10.6x → 8: 10.7x ↑ 9: 10.1 ← 10: 10.0 ↗ Series 102.8 102.8	<b>Serie 2</b>	1: 9.8 ↑ 2: 10.4x ↓ 3: 9.9 ↓ 4: 10.0 ← 5: 10.8x ↖ 6: 10.7x ↓ 7: 10.5x ↗ 8: 10.1 → 9: 10.5x ↓ 10: 10.5x ↑ Series 103.2 206.0
<b>Serie 3</b>	1: 10.0 ↗ 2: 10.8x ↓ 3: 9.5 ↓ 4: 9.1 → 5: 10.5x → 6: 10.3x ↗ 7: 10.4x ↖ 8: 10.4x ↓ 9: 9.5 ← 10: 10.2x ↓ Series 100.7 306.7	<b>Serie 4</b>	1: 10.0 ← 2: 10.0 ↖ 3: 10.6x ↑ 4: 10.8x ↖ 5: 9.6 ↓ 6: 8.8 → 7: 10.4x ↑ 8: 10.7x ↗ 9: 8.1 ← 10: 10.4x ↓ Series 99.4 406.1
<b>Serie 5</b>	1: 10.5x ↖ 2: 10.2x ↗ 3: 10.1 → 4: 10.1 ↑ 5: 10.7x ↑ 6: 9.8 ↑ 7: 10.1 ↗ 8: 8.7 → 9: 8.8 ↖ 10: 10.2x ↓ Series 99.2 505.3	<b>Serie 6</b>	1: 9.9 ↑ 2: 10.1 ↓ 3: 10.2x → 4: 9.6 ↖ 5: 10.6x ↑ 6: 9.9 ↓ 7: 10.5x ↓ 8: 10.7x ↑ 9: 9.6 ↓ 10: 10.5x → Series 101.6 606.9

Relay	Lane	Bjørn Voigt	
4	14	Gundsøllille Megalink OPE	Randers Skyttekreds
1.01.2020	GMO2020 Day 3	MJ	
Serie 1		Serie 2	
	1: 10.2x → 2: 10.3x ← 3: 9.8 → 4: 9.2 ↙ 5: 10.2x ↘ 6: 10.5x ↗ 7: 10.5x ← 8: 9.9 → 9: 10.7x → 10: 10.5x ← Series 101.8 101.8		1: 10.1 ↘ 2: 10.7x ← 3: 10.4x ↑ 4: 10.6x → 5: 10.3x → 6: 10.1 → 7: 9.5 ↗ 8: 10.7x → 9: 10.3x ↙ 10: 9.7 ↗ Series 102.4 204.2
	1: 9.6 ← 2: 10.0 ↑ 3: 9.8 ← 4: 10.4x ← 5: 9.8 → 6: 10.4x ↗ 7: 9.9 ← 8: 8.9 → 9: 10.7x ↙ 10: 10.4x ↗ Series 99.9 304.1		1: 9.4 ↘ 2: 10.6x → 3: 9.8 ↓ 4: 10.2x ← 5: 9.5 ↗ 6: 10.4x ← 7: 10.2x → 8: 10.4x ↙ 9: 10.1 → 10: 10.6x ← Series 101.2 405.3
	1: 10.6x ↘ 2: 10.6x ↗ 3: 10.5x ↑ 4: 10.8x ← 5: 10.4x → 6: 10.1 ↗ 7: 9.9 → 8: 9.9 ← 9: 9.6 ← 10: 10.6x → Series 103.0 508.3		1: 10.3x ← 2: 9.6 ← 3: 9.9 ↓ 4: 9.9 ↓ 5: 10.2x → 6: 10.3x ↗ 7: 10.6x ↗ 8: 9.3 → 9: 9.9 → 10: 9.4 → Series 99.4 607.7

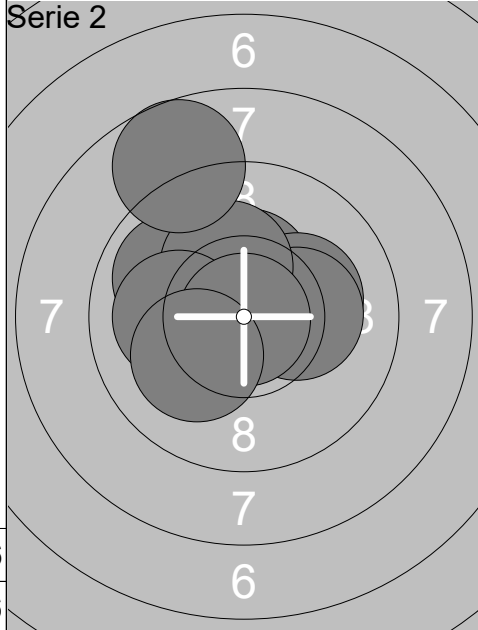
Gundsøllille Megalink Open 2020

Relay	Lane	Nicklas Christensen	
4	15	Gundsøllille Megalink OPE	Aalborg Skyttekreds
1.01.2020		GMO2020 Day 3	Gundsøllille OPEN 2020
Série 1		1: 6.8 ← 2: 8.7 ← 3: 8.0 ← 4: 9.8 ← 5: 8.6 → 6: 8.6 → 7: 10.6x ↓ 8: 10.3x ↓ 9: 9.5 ↑ 10: 10.2x ↓ Series 91.1 91.1	Série 2 1: 10.3x ↙ 2: 8.5 ↖ 3: 9.5 ↑ 4: 10.4x ↓ 5: 10.0 ← 6: 8.3 → 7: 7.8 ↗ 8: 8.4 ➡ 9: 10.7x ↗ 10: 9.5 ↖ Series 93.4 184.5
Série 3		1: 10.8x ↗ 2: 10.7x ↑ 3: 6.8 ← 4: 9.5 ↖ 5: 9.9 ↑ 6: 9.7 ← 7: 7.9 → 8: 9.5 ↓ 9: 9.6 ↙ 10: 9.3 ← Series 93.7 278.2	Série 4 1: 10.0 ← 2: 10.1 ↓ 3: 8.4 ↓ 4: 10.2x ↖ 5: 9.2 ↗ 6: 9.3 → 7: 10.1 ↓ 8: 10.8x ↙ 9: 9.1 ↓ 10: 10.3x ↑ Series 97.5 375.7
Série 5		1: 9.1 ↓ 2: 10.3x → 3: 6.8 → 4: 10.4x ↑ 5: 9.5 ↑ 6: 10.2x ↓ 7: 9.2 ↙ 8: 10.5x ↓ 9: 10.8x ↙ 10: 8.9 → Series 95.7 471.4	Série 6 1: 10.2x ↑ 2: 8.2 ↙ 3: 9.5 ↖ 4: 9.0 ➡ 5: 9.1 ➡ 6: 9.7 ↑ 7: 9.9 ↓ 8: 10.5x ↙ 9: 10.6x ↙ 10: 10.2x ↙ Series 96.9 568.3
Gundsøllille Megalink Open 2020			

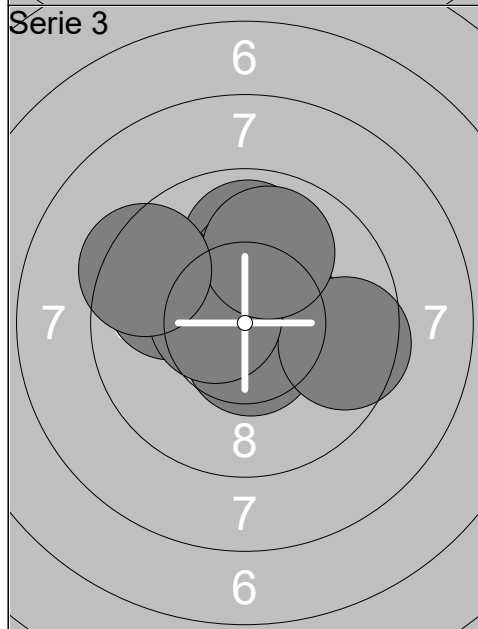
Relay	Lane	Anton Salomonsson	
Gundsøllille Megalink OPE	16	Össjö Skf	MJ
1.01.2020	GMO2020 Day 3	Gundsøllille OPEN 2020	
Serie 1	1: 10.7x ↓ 2: 10.4x ↑ 3: 9.7 ↓ 4: 9.4 ↓ 5: 9.7 → 6: 10.4x ↑ 7: 8.0 ↓ 8: 10.1 ↓ 9: 9.7 ↓ 10: 9.7 ↓ Series 97.8 97.8	Serie 2	1: 10.0 ↑ 2: 10.6x ↓ 3: 8.9 ↓ 4: 8.9 ← 5: 10.4x ↓ 6: 10.0 ↑ 7: 9.8 ↗ 8: 9.3 ↗ 9: 10.2x ← 10: 10.6x ← Series 98.7 196.5
Serie 3	1: 10.5x ↓ 2: 9.7 ↗ 3: 10.1 → 4: 10.3x ↑ 5: 9.9 ↓ 6: 10.3x ↙ 7: 10.6x ↗ 8: 9.2 ↗ 9: 10.3x ↑ 10: 10.1 ← Series 101.0 297.5	Serie 4	1: 10.4x ↖ 2: 9.4 → 3: 8.6 ← 4: 10.1 ↗ 5: 10.4x ↓ 6: 10.4x ↙ 7: 10.6x ↓ 8: 10.2x ↙ 9: 10.3x ↙ 10: 10.8x ↓ Series 101.2 398.7
Serie 5	1: 9.7 ↗ 2: 9.9 → 3: 10.2x ↙ 4: 10.0 ← 5: 10.3x ↓ 6: 10.8x ↓ 7: 10.1 ↓ 8: 10.1 → 9: 9.2 ← 10: 10.0 ↓ Series 100.3 499.0	Serie 6	1: 9.6 ← 2: 9.7 ↙ 3: 9.9 ← 4: 9.7 ← 5: 10.5x ↑ 6: 10.3x ↑ 7: 10.9x ↙ 8: 10.7x ↓ 9: 10.0 ← 10: 10.0 ↓ Series 101.3 600.3



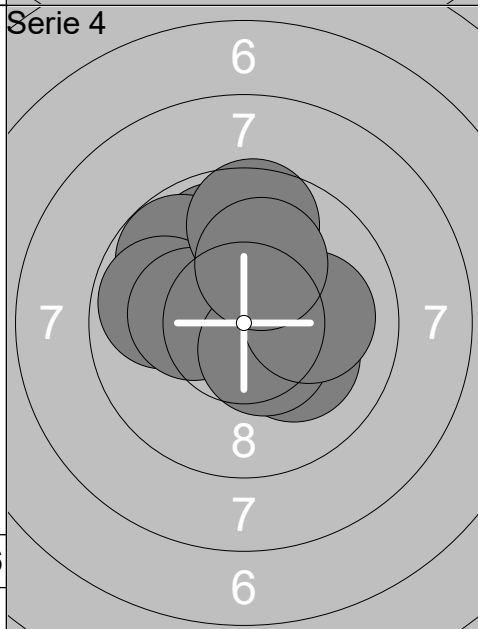
1:	10.3x ↖
2:	9.8 →
3:	10.5x →
4:	9.1 →
5:	9.8 ↗
6:	10.2x ←
7:	10.5x ←
8:	9.0 →
9:	9.7 ↖
10:	9.7 ↗
<b>Series</b>	<b>98.6</b>
	<b>98.6</b>



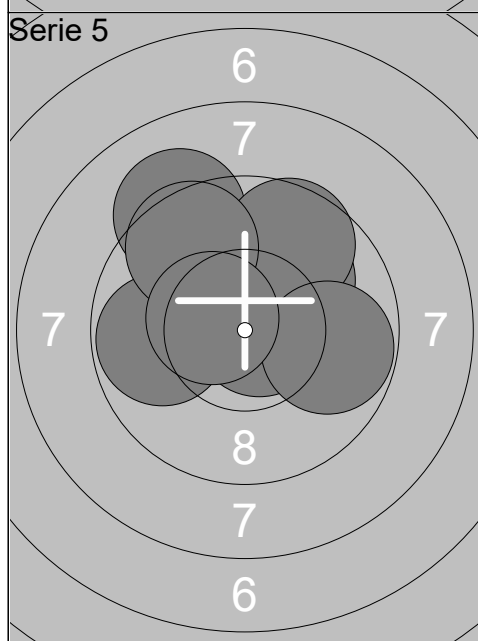
1:	10.4x ↑
2:	9.9 ↖
3:	10.2x →
4:	10.2x ←
5:	10.2x →
6:	10.2x ↗
7:	10.1 ←
8:	10.9x ↓
9:	10.1 ↖
10:	8.7 ↗
<b>Series</b>	<b>100.9</b>
	<b>199.5</b>



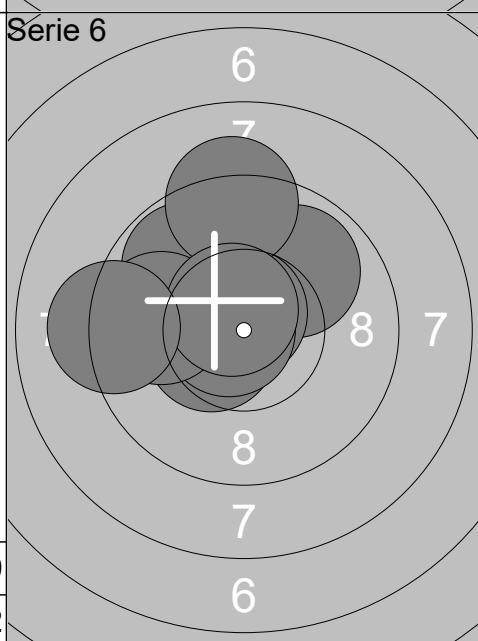
1:	10.2x ↑
2:	10.4x →
3:	10.6x ↓
4:	9.9 ↑
5:	10.3x ↑
6:	9.5 →
7:	9.9 ↖
8:	10.5x ←
9:	9.9 ↑
10:	9.4 ↖
<b>Series</b>	<b>100.6</b>
	<b>300.1</b>



1:	9.9 ↑
2:	9.7 ↗
3:	9.8 ↖
4:	10.3x →
5:	10.1 ↘
6:	10.2x ←
7:	10.5x ↓
8:	9.6 ↑
9:	10.0 →
10:	10.1 ↑
<b>Series</b>	<b>100.2</b>
	<b>400.3</b>

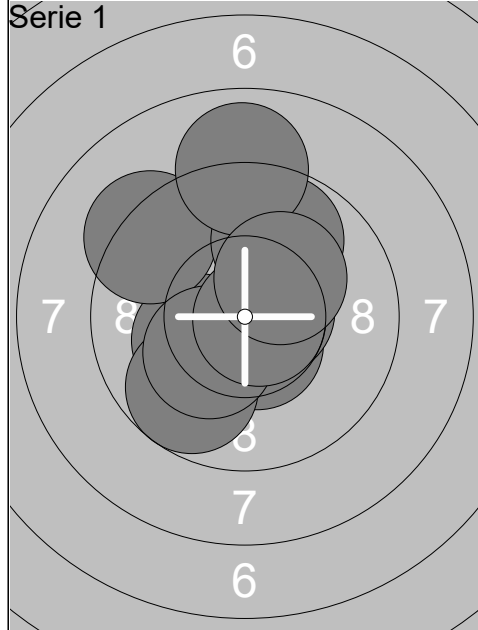


1:	10.3x ↖
2:	10.0 ↗
3:	10.7x →
4:	10.4x ↑
5:	9.2 ↖
6:	9.8 ←
7:	9.6 ↗
8:	9.8 →
9:	9.6 ↗
10:	10.5x ←
<b>Series</b>	<b>99.9</b>
	<b>500.2</b>

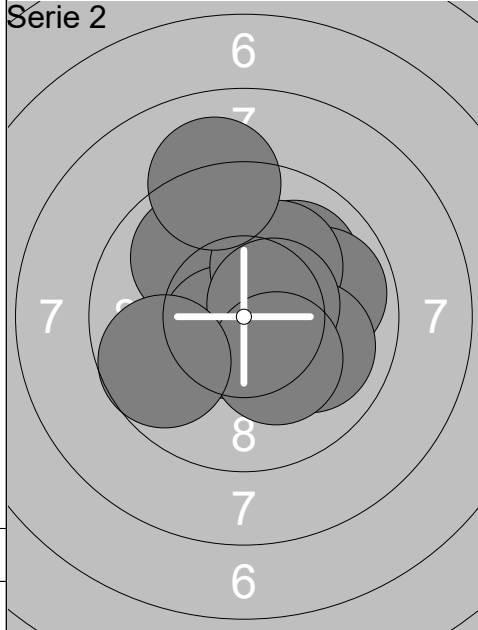


1:	9.9 ↗
2:	10.4x ←
3:	10.1 ↖
4:	10.7x ↑
5:	9.8 ↖
6:	10.7x ←
7:	9.2 ↑
8:	9.8 ←
9:	10.6x ↖
10:	9.2 ←
<b>Series</b>	<b>100.4</b>
	<b>600.6</b>

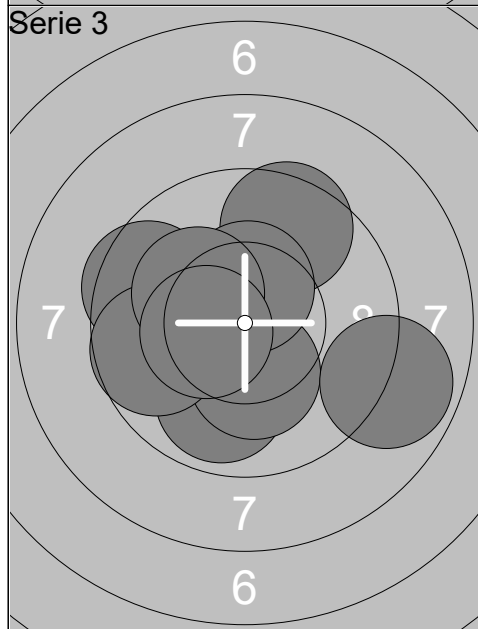
Relay	Lane	Viktor Klemmedsson	
4	19	Gundsøllille Megalink OPE	Christianstad Skf
1.01.2020		GMO2020 Day 3	Gundsøllille OPEN 2020
<b>Serie 1</b> 	1: 10.3x ↑	<b>Serie 2</b> 	1: 9.7 ↖
	2: 10.6x ↘		2: 10.6x ↘
	3: 9.8 ↗		3: 10.1 ↖
	4: 10.7x ↓		4: 10.4x →
	5: 10.6x ↘		5: 10.5x ↑
	6: 10.7x ↖		6: 10.4x ↖
	7: 10.2x ↖		7: 10.0 ↓
	8: 10.4x ↗		8: 10.6x →
	9: 9.9 →		9: 10.5x ↖
	10: 10.7x ↘		10: 9.7 ↗
	<b>Series</b> 103.9		<b>Series</b> 102.5
	103.9		206.4
<b>Serie 3</b> 	1: 10.3x ↖	<b>Serie 4</b> 	1: 10.4x ↖
	2: 10.7x ↖		2: 10.8x ↓
	3: 9.8 ↗		3: 10.5x ↓
	4: 10.0 ↖		4: 9.6 ↖
	5: 10.5x ↗		5: 10.0 ↓
	6: 10.3x ↓		6: 10.2x ↗
	7: 10.0 →		7: 10.6x ↘
	8: 10.4x ↖		8: 10.4x ↖
	9: 9.4 ↖		9: 9.9 ↓
	10: 9.4 ↖		10: 10.8x →
	<b>Series</b> 100.8		<b>Series</b> 103.2
	307.2		410.4
<b>Serie 5</b> 	1: 10.6x ↖	<b>Serie 6</b> 	1: 10.7x ↓
	2: 10.2x ↖		2: 10.5x →
	3: 10.7x ↓		3: 10.6x ↖
	4: 9.8 ↓		4: 10.0 ↖
	5: 10.2x ↖		5: 10.1 ↓
	6: 10.5x ↓		6: 10.2x ↓
	7: 10.7x ↖		7: 10.7x ↓
	8: 10.3x ↑		8: 10.3x ↗
	9: 10.4x ↘		9: 9.6 →
	10: 10.5x ↓		10: 10.2x ↘
	<b>Series</b> 103.9		<b>Series</b> 102.9
	514.3		617.2



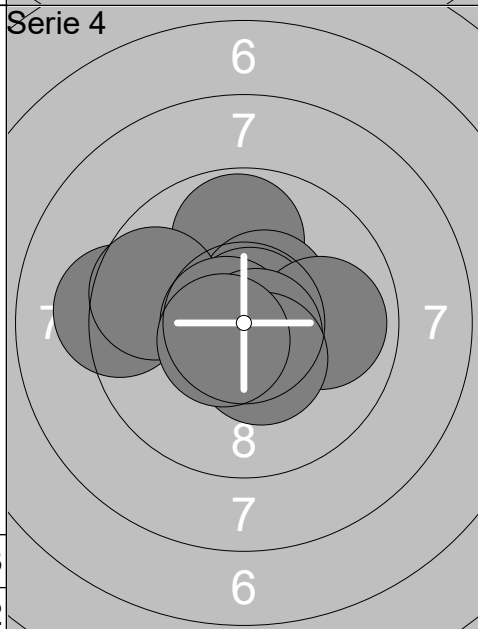
1:	10.2x ↙
2:	10.5x ↓
3:	9.7 ↓
4:	10.6x →
5:	9.2 ↖
6:	9.8 ↗
7:	10.3x ↙
8:	10.7x →
9:	8.9 ↑
10:	10.2x ↗
<b>Series</b>	<b>100.1</b>
	<b>100.1</b>



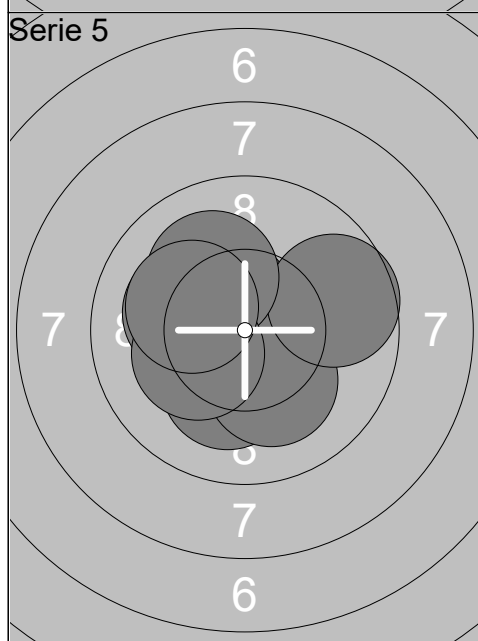
1:	9.9 ↖
2:	9.9 ↗
3:	9.8 →
4:	10.6x ↙
5:	10.1 ↗
6:	9.1 ↑
7:	10.0 →
8:	10.5x →
9:	10.2x ↓
10:	9.7 ↙
<b>Series</b>	<b>99.8</b>
	<b>199.9</b>



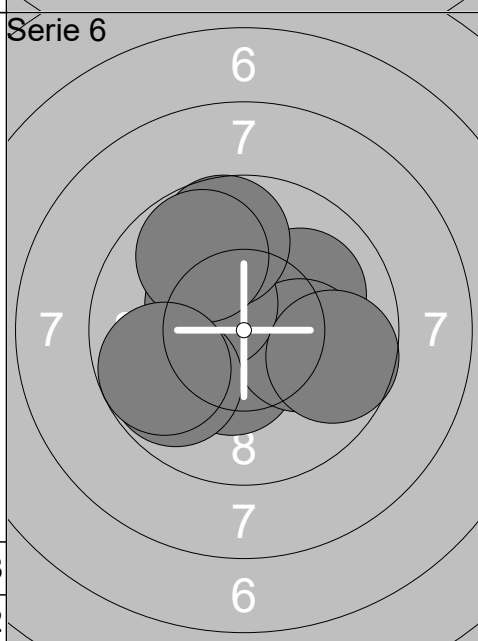
1:	9.9 ↓
2:	9.5 ↗
3:	10.3x ↓
4:	9.5 ↖
5:	8.8 →
6:	10.5x ↖
7:	10.5x ↑
8:	9.7 ↖
9:	10.2x ↖
10:	10.4x ↖
<b>Series</b>	<b>99.3</b>
	<b>299.2</b>



1:	9.8 ↑
2:	10.5x ↗
3:	9.2 ↖
4:	10.8x ↗
5:	9.6 ↖
6:	10.7x ↖
7:	9.9 →
8:	10.7x ↓
9:	10.4x ↓
10:	10.6x ↙
<b>Series</b>	<b>102.2</b>
	<b>401.4</b>

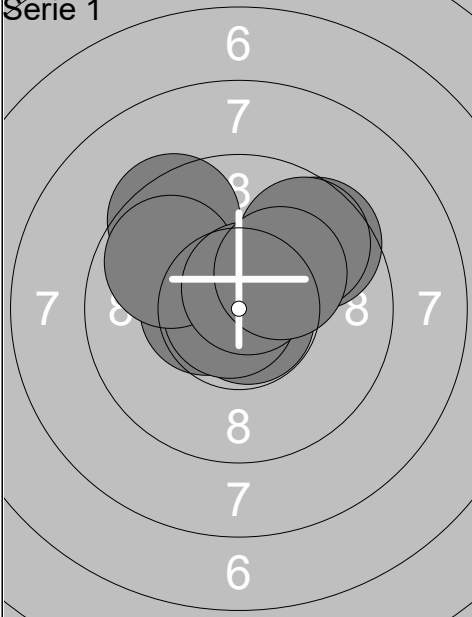
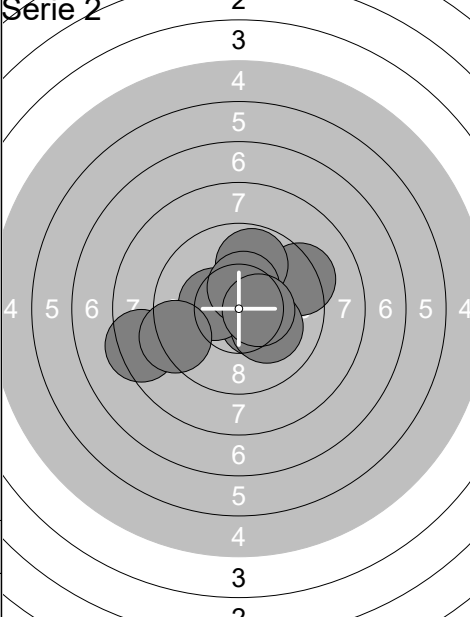
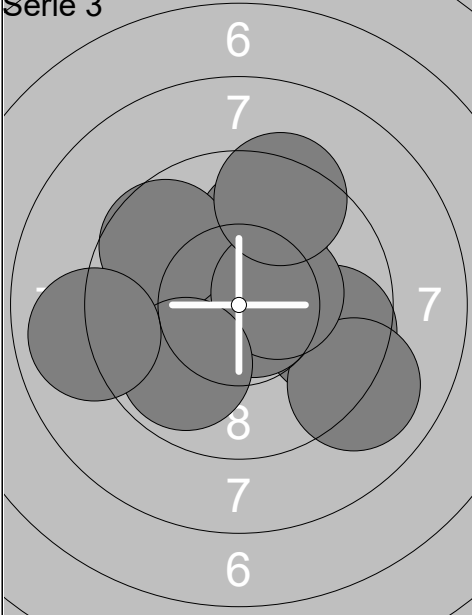
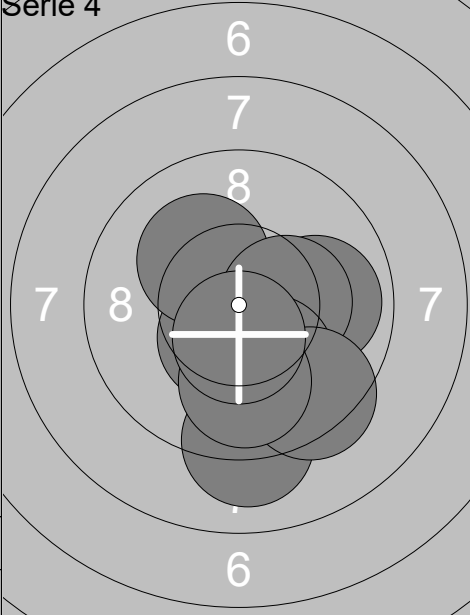
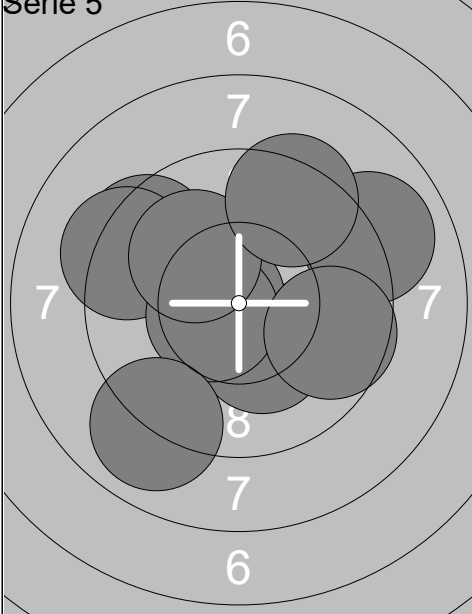
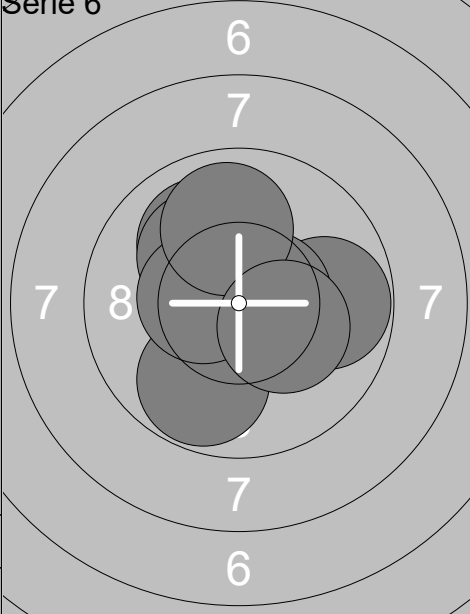


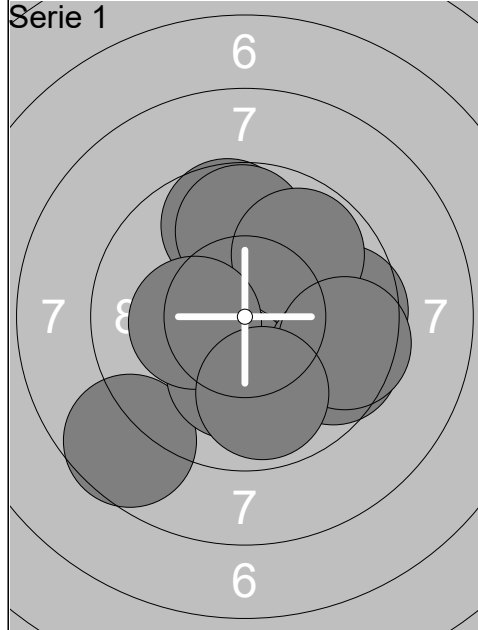
1:	10.2x ↓
2:	10.5x ↖
3:	10.3x ↖
4:	10.4x ↖
5:	10.1 ↓
6:	10.1 ↖
7:	9.7 →
8:	10.1 ↗
9:	10.2x ↖
10:	10.2x ↖
<b>Series</b>	<b>101.8</b>
	<b>503.2</b>



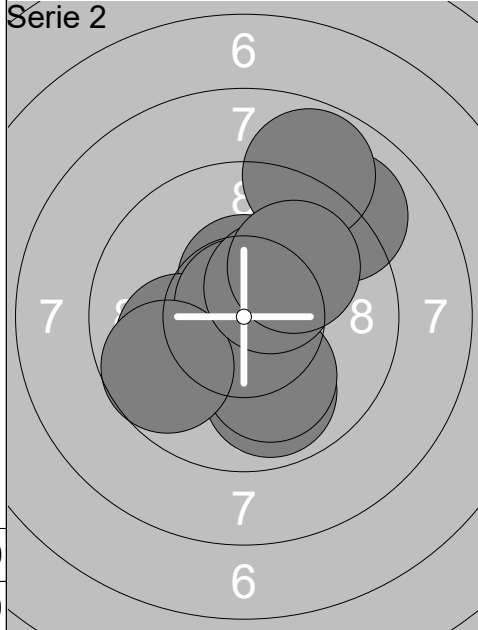
1:	10.4x ↓
2:	10.2x →
3:	10.0 ↗
4:	10.1 →
5:	10.4x ↖
6:	9.8 ↖
7:	9.7 ↑
8:	9.8 ↗
9:	9.7 ↖
10:	9.7 →
<b>Series</b>	<b>99.8</b>
	<b>603.0</b>



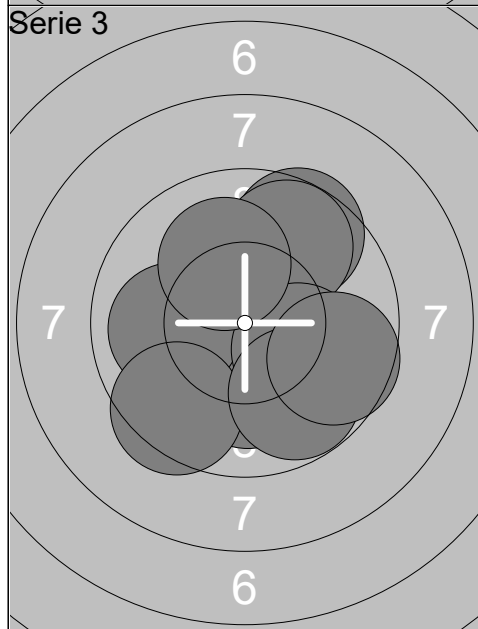
Relay	Lane	Vebjørn Grimsrud	
4	21	Gundsøllille Megalink OPE	Krapfoss Sportsskytterlag
1.01.2020		GMO2020 Day 3	Gundsøllille OPEN 2020
Série 1			1: 10.8x ↘ 2: 10.3x ↖ 3: 9.6 ↗ 4: 9.4 ↗ 5: 10.5x ← 6: 10.8x ← 7: 9.8 ↖ 8: 10.6x ↗ 9: 9.7 ↗ 10: 10.2x ↗ Series 101.7 101.7
Série 2			1: 10.4x ↘ 2: 10.3x ↗ 3: 10.3x ← 4: 9.3 ↗ 5: 10.1 ↘ 6: 9.8 ↗ 7: 10.4x ↗ 8: 8.4 ← 9: 9.2 ← 10: 10.5x → Series 98.7 200.4
Série 3			1: 9.7 → 2: 10.7x → 3: 9.9 ↗ 4: 9.0 ↘ 5: 10.7x → 6: 9.6 ↖ 7: 10.4x → 8: 9.4 ↗ 9: 9.9 ↘ 10: 8.9 ← Series 98.2 298.6
Série 4			1: 10.4x ↘ 2: 10.9x ↗ 3: 9.9 → 4: 10.2x ↖ 5: 10.3x → 6: 9.1 ↓ 7: 10.1 ↓ 8: 9.4 ↘ 9: 9.9 ↓ 10: 10.5x ↓ Series 100.7 399.3
Série 5			1: 9.4 ↖ 2: 10.2x ↘ 3: 9.3 ↖ 4: 10.6x ← 5: 10.5x ← 6: 8.9 ↗ 7: 9.6 → 8: 8.9 ↘ 9: 10.1 ↖ 10: 9.4 ↗ Series 96.9 496.2
Série 6			1: 10.7x ↖ 2: 10.0 ↖ 3: 9.8 → 4: 10.5x ↖ 5: 9.8 ↘ 6: 10.2x ↖ 7: 10.5x → 8: 10.4x ← 9: 9.9 ↗ 10: 10.2x ↘ Series 102.0 598.2



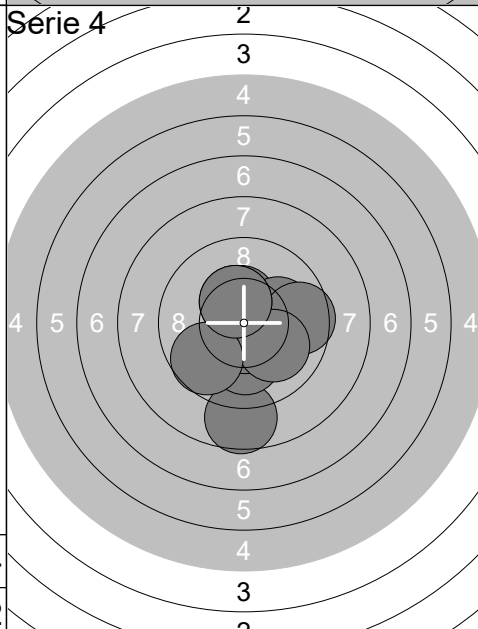
1:	8.6	↙
2:	9.7	↑
3:	9.8	↑
4:	9.6	→
5:	9.8	↗
6:	10.1	↓
7:	10.3x	←
8:	9.6	→
9:	9.5	→
10:	9.9	↓
<b>Series</b>	<b>96.9</b>	
	<b>96.9</b>	



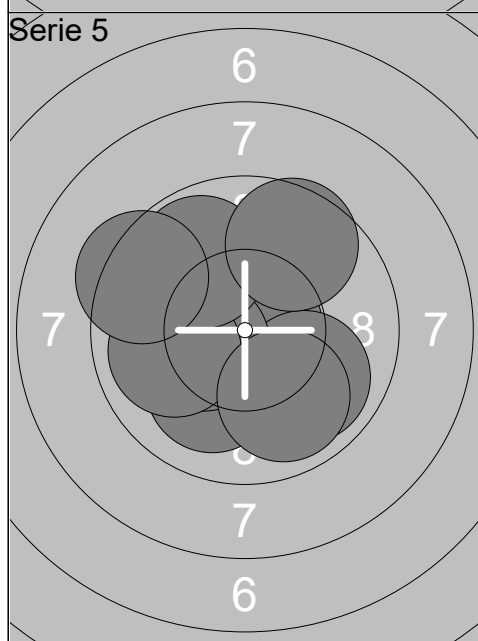
1:	10.5x	↑
2:	9.0	↗
3:	9.9	↓
4:	10.0	←
5:	10.7x	↑
6:	10.0	↓
7:	8.8	↗
8:	9.7	↙
9:	10.4x	↗
10:	9.9	↗
<b>Series</b>	<b>98.9</b>	
	<b>195.8</b>	



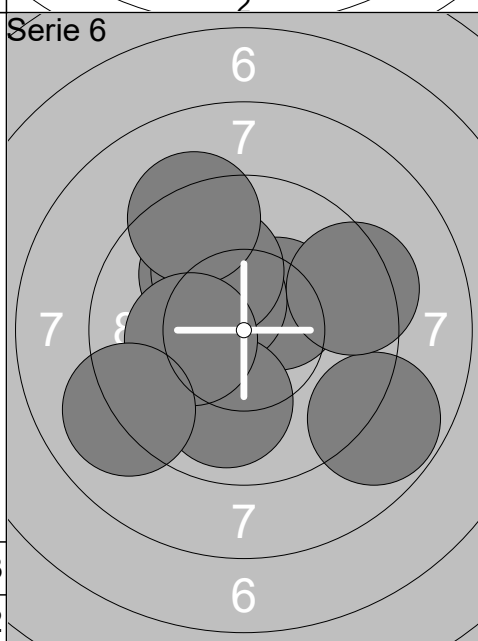
1:	10.1	↓
2:	10.2x	↗
3:	9.9	←
4:	9.5	↗
5:	9.7	↗
6:	9.5	↙
7:	10.1	→
8:	9.7	↙
9:	10.1	↗
10:	9.6	→
<b>Series</b>	<b>98.4</b>	
	<b>294.2</b>	



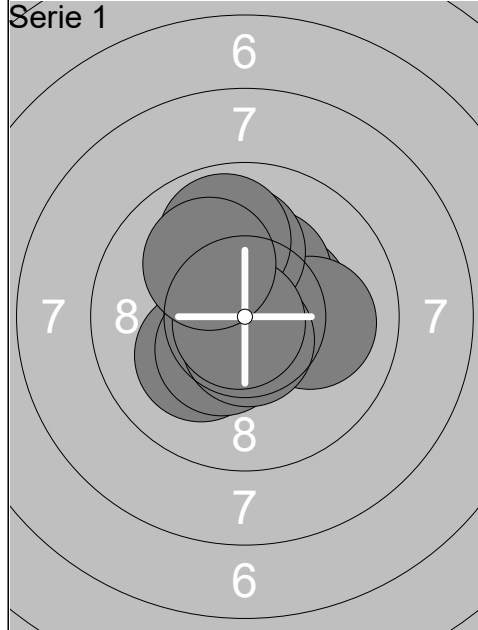
1:	10.4x	↑
2:	10.1	→
3:	9.6	→
4:	8.6	↓
5:	10.0	↓
6:	10.6x	↓
7:	10.4x	↑
8:	10.0	↘
9:	9.7	↙
10:	10.3x	↑
<b>Series</b>	<b>99.7</b>	
	<b>393.9</b>	



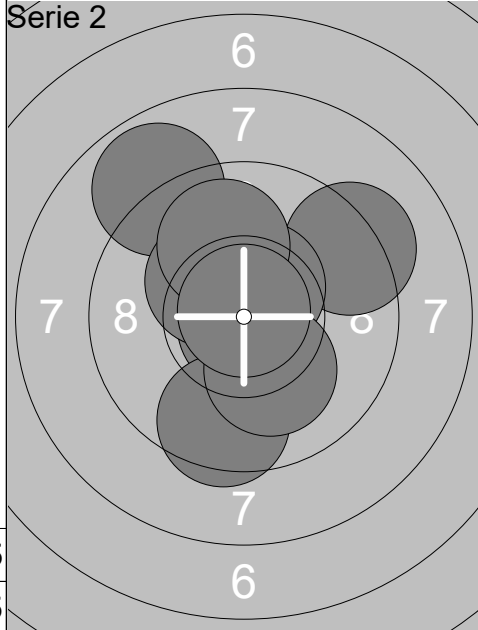
1:	10.8x	↓
2:	10.0	↙
3:	10.8x	→
4:	9.9	↘
5:	10.3x	←
6:	9.9	←
7:	9.9	↘
8:	9.8	↗
9:	9.3	↙
10:	9.6	↗
<b>Series</b>	<b>100.3</b>	
	<b>494.2</b>	



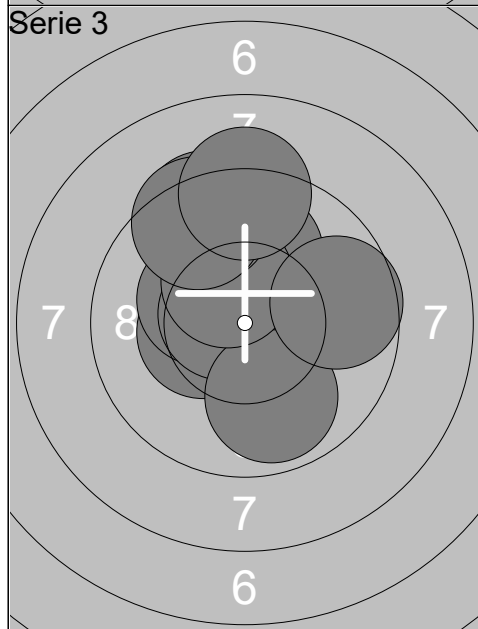
1:	10.3x	↗
2:	10.0	↖
3:	10.4x	↖
4:	10.0	↗
5:	8.8	↘
6:	9.3	↗
7:	9.3	→
8:	10.0	↓
9:	10.2x	←
10:	9.0	↙
<b>Series</b>	<b>97.3</b>	
	<b>591.5</b>	



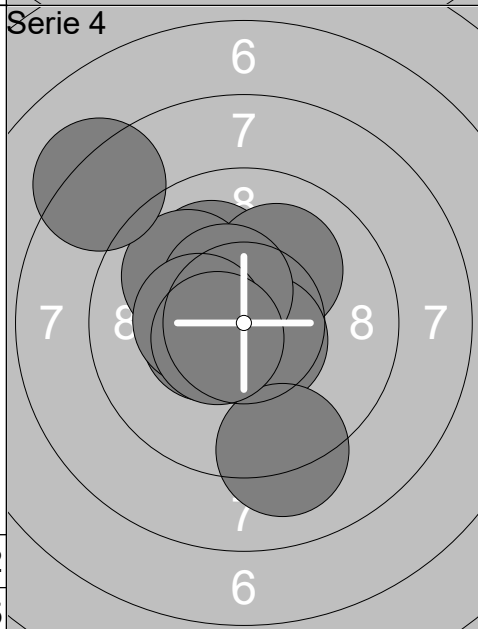
1:	10.3x	→
2:	10.1	↙
3:	10.3x	↗
4:	10.0	→
5:	10.4x	↙
6:	10.6x	↓
7:	10.1	↑
8:	9.8	↑
9:	10.8x	↙
10:	10.1	↖
<b>Series</b>		<b>102.5</b>
		<b>102.5</b>



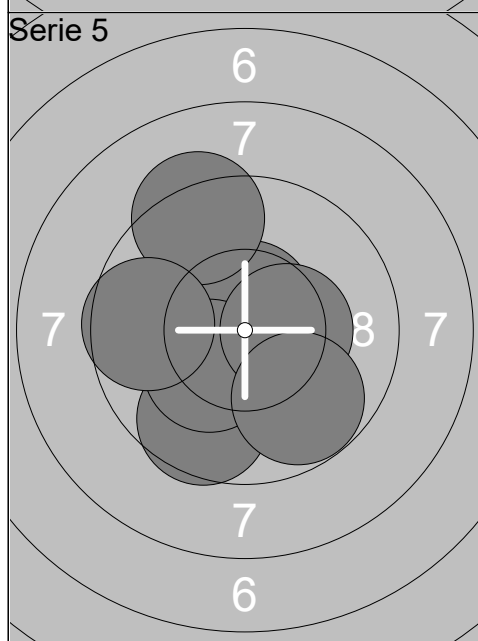
1:	10.7x	↖
2:	9.2	↗
3:	8.9	↖
4:	10.8x	↓
5:	10.5x	↗
6:	9.5	↓
7:	10.1	↓
8:	10.3x	↖
9:	9.9	↑
10:	10.9x	↑
<b>Series</b>		<b>100.8</b>
		<b>203.3</b>



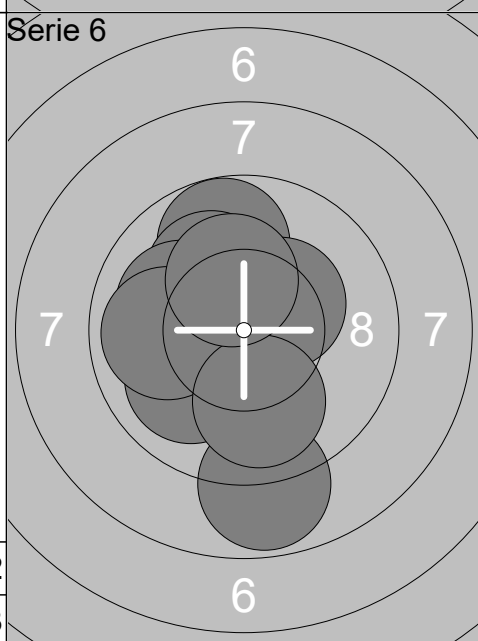
1:	10.4x	↙
2:	10.3x	↖
3:	10.6x	↙
4:	10.0	↑
5:	9.9	↓
6:	10.3x	↗
7:	9.4	↑
8:	9.4	↖
9:	9.2	↑
10:	9.7	→
<b>Series</b>		<b>99.2</b>
		<b>302.5</b>



1:	10.1	↖
2:	9.9	↖
3:	10.1	↗
4:	8.2	↖
5:	10.6x	↙
6:	10.4x	↙
7:	10.4x	↗
8:	9.1	↓
9:	10.3x	↙
10:	10.5x	↙
<b>Series</b>		<b>99.6</b>
		<b>402.1</b>

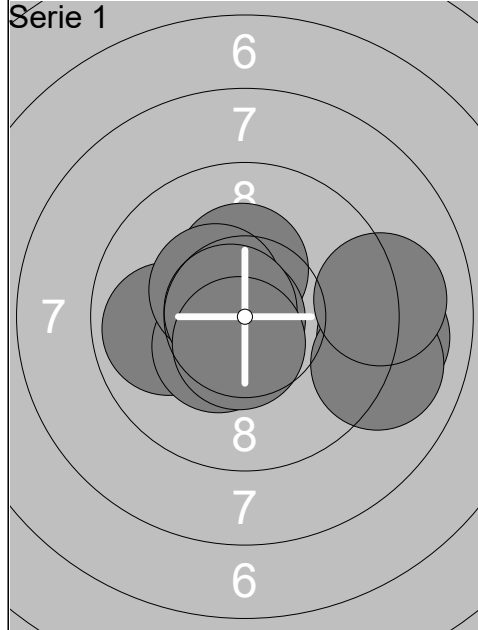


1:	10.6x	↙
2:	10.2x	↙
3:	10.8x	↙
4:	9.6	↓
5:	10.6x	↑
6:	10.3x	↙
7:	10.4x	→
8:	9.3	↑
9:	9.6	←
10:	9.8	↘
<b>Series</b>		<b>101.2</b>
		<b>503.3</b>

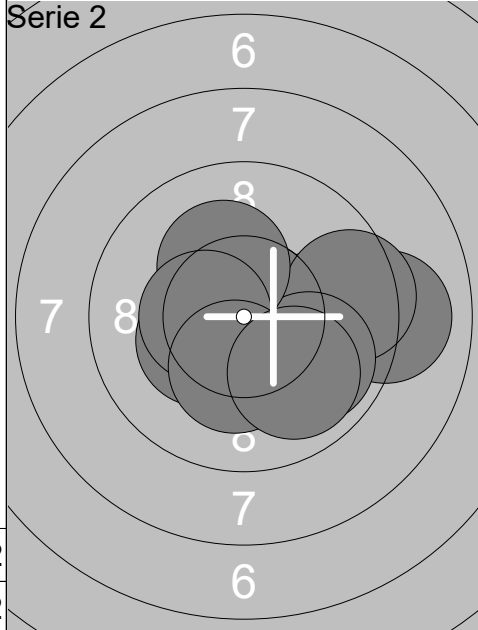


1:	10.6x	↖
2:	10.0	↙
3:	9.8	↑
4:	8.8	↓
5:	10.3x	↗
6:	10.1	↖
7:	10.0	←
8:	9.9	←
9:	9.9	↓
10:	10.2x	↑
<b>Series</b>		<b>99.6</b>
		<b>602.9</b>

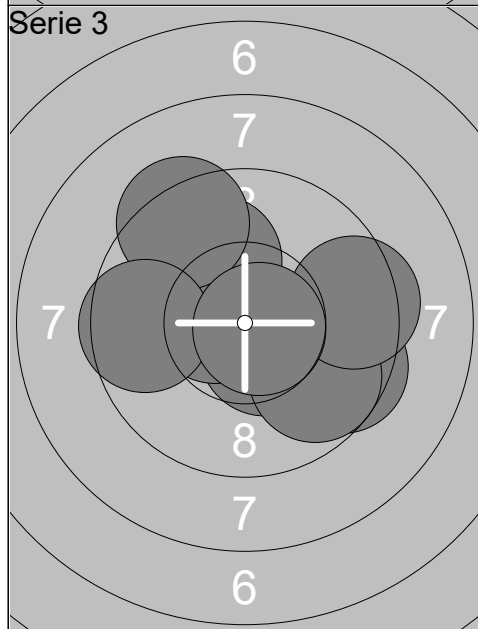
Relay	Lane	Kasper Lousdal	
4	24	Gundsøllille Megalink OPE	Boddum-Ydby Skytteforening
1.01.2020		GMO2020 Day 3	Gundsøllille OPEN 2020
Série 1		1: 8.1 ↑ 2: 8.8 ↑ 3: 9.6 ↘ 4: 9.8 ↙ 5: 9.6 ↗ 6: 10.2x ↖ 7: 9.4 ← 8: 9.9 ↖ 9: 10.1 ← 10: 9.7 ↘ Series 95.2 95.2	Série 2 1: 9.7 ↓ 2: 9.6 ↓ 3: 10.3x ↑ 4: 8.8 → 5: 9.7 ↗ 6: 9.1 ↑ 7: 9.2 ↗ 8: 10.1 ↘ 9: 10.2x ↑ 10: 10.1 ↖ Series 96.8 192.0
Série 3		1: 8.9 ↑ 2: 9.5 ↑ 3: 9.7 → 4: 8.6 ↗ 5: 8.3 ↑ 6: 7.0 ↓ 7: 10.6x ↘ 8: 8.9 → 9: 9.4 ↗ 10: 9.4 ← Series 90.3 282.3	Série 4 1: 9.7 ↖ 2: 9.9 ↑ 3: 8.8 ↑ 4: 9.4 ↑ 5: 10.0 ↙ 6: 10.0 ↑ 7: 8.1 ↘ 8: 9.9 ↗ 9: 9.4 ↖ 10: 10.9x ← Series 96.1 378.4
Série 5		1: 7.5 ↗ 2: 8.5 ↗ 3: 8.4 ↙ 4: 9.7 ↓ 5: 9.9 ↙ 6: 9.7 ↖ 7: 9.0 ↑ 8: 9.3 ↗ 9: 10.1 ↑ 10: 9.9 ← Series 92.0 470.4	Série 6 1: 9.3 → 2: 9.4 → 3: 8.3 ↓ 4: 9.0 → 5: 6.4 → 6: 9.0 ↗ 7: 9.1 ↓ 8: 9.4 → 9: 9.3 ↖ 10: 9.3 ↑ Series 88.5 558.9



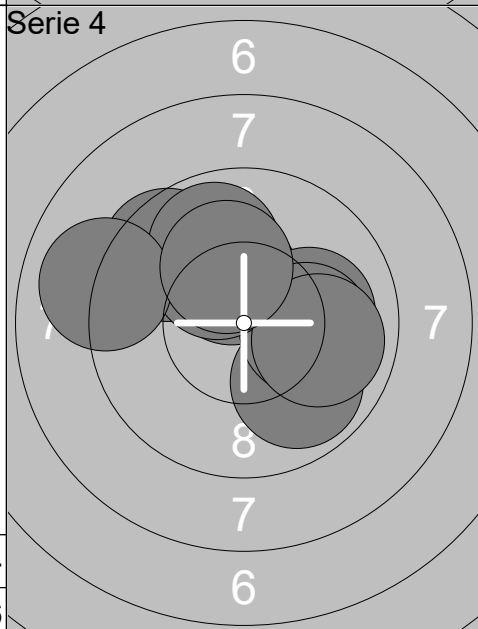
1:	9.9	←
2:	10.3x	↑
3:	10.4x	↘
4:	10.8x	↙
5:	9.0	→
6:	10.4x	↗
7:	9.0	→
8:	10.7x	↙
9:	10.6x	↓
10:	9.1	→
<b>Series</b>		<b>100.2</b>
		<b>100.2</b>



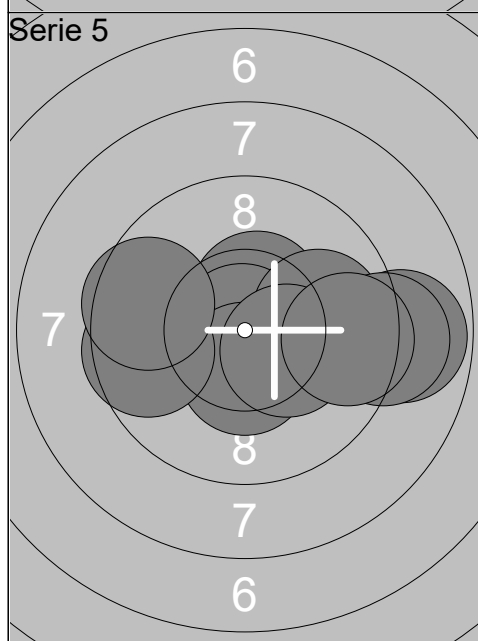
1:	9.0	→
2:	10.3x	↙
3:	9.9	→
4:	10.7x	↗
5:	9.5	→
6:	9.9	↘
7:	10.2x	↑
8:	10.4x	←
9:	10.2x	↓
10:	9.9	↘
<b>Series</b>		<b>100.0</b>
		<b>200.2</b>



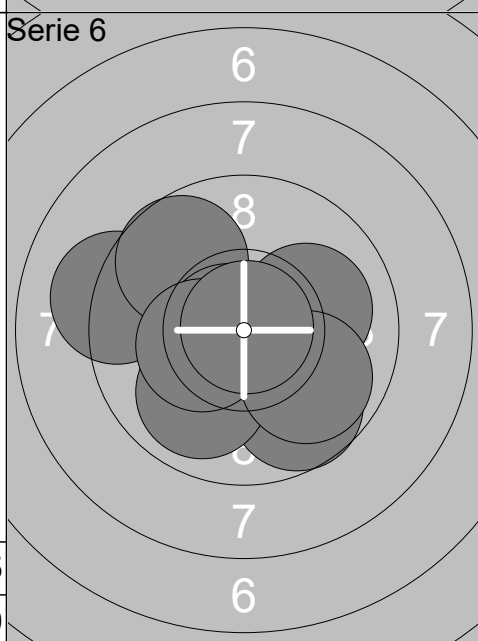
1:	10.2x	↘
2:	10.5x	↘
3:	9.5	↘
4:	10.5x	↙
5:	9.7	↘
6:	10.0	↗
7:	9.3	↗
8:	9.6	←
9:	9.4	→
10:	10.7x	↘
<b>Series</b>		<b>99.4</b>
		<b>299.6</b>



1:	10.3x	↑
2:	9.6	↗
3:	10.0	→
4:	9.8	↘
5:	10.1	→
6:	10.2x	↗
7:	9.9	↑
8:	9.9	→
9:	9.0	←
10:	10.1	↑
<b>Series</b>		<b>98.9</b>
		<b>398.5</b>



1:	10.5x	↑
2:	10.9x	↙
3:	10.4x	↓
4:	9.6	←
5:	8.8	→
6:	9.9	→
7:	9.6	←
8:	9.0	→
9:	10.3x	↘
10:	9.5	→
<b>Series</b>		<b>98.5</b>
		<b>497.0</b>

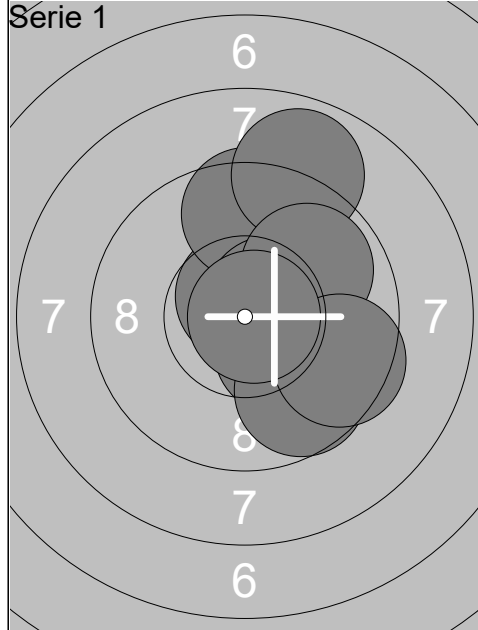


1:	9.2	←
2:	10.1	→
3:	9.7	↗
4:	10.7x	↙
5:	9.7	↘
6:	9.9	↘
7:	10.9x	↓
8:	9.9	↘
9:	10.3x	↙
10:	10.9x	↗
<b>Series</b>		<b>101.3</b>
		<b>598.3</b>

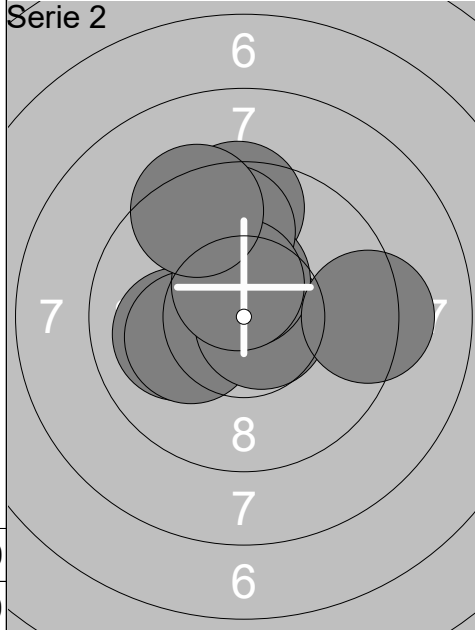
Relay	Lane	Mikkel Kannik	
Gundsøllille Megalink OPE	Ølstykke Skytteforening	MJ	
1.01.2020	GMO2020 Day 3	Gundsøllille OPEN 2020	
<b>Serie 1</b>	1: 10.0 ↗ 2: 9.5 ↗ 3: 10.1 ← 4: 9.7 ← 5: 9.3 ↓ 6: 8.8 ← 7: 8.9 ↑ 8: 10.6x ↖ 9: 9.8 ↘ 10: 10.2x ↗ Series 96.9 96.9	<b>Serie 2</b>	1: 8.8 ↙ 2: 10.0 ← 3: 9.7 ← 4: 9.4 ↗ 5: 9.6 → 6: 9.6 ↓ 7: 8.4 ↗ 8: 8.9 ← 9: 10.4x ↘ 10: 8.6 ↓ Series 93.4 190.3
<b>Serie 3</b>	1: 8.9 ↓ 2: 9.9 ← 3: 9.8 ↗ 4: 8.6 ↑ 5: 10.8x ↖ 6: 8.4 ↑ 7: 9.4 ← 8: 8.8 ← 9: 9.8 ↑ 10: 9.4 → Series 93.8 284.1	<b>Serie 4</b>	1: 10.0 ↑ 2: 10.6x ↖ 3: 9.4 ↓ 4: 10.2x ↗ 5: 9.5 ↑ 6: 9.6 ← 7: 10.0 ← 8: 10.1 ↗ 9: 10.1 ↖ 10: 10.2x → Series 99.7 383.8
<b>Serie 5</b>	1: 9.2 ↓ 2: 9.0 ← 3: 9.7 ↗ 4: 10.2x ↓ 5: 10.2x ↘ 6: 9.1 ← 7: 10.1 ↘ 8: 9.2 ← 9: 9.3 ↘ 10: 10.4x ↗ Series 96.4 480.2	<b>Serie 6</b>	1: 9.6 ← 2: 9.3 → 3: 9.2 ↖ 4: 9.9 ← 5: 10.0 → 6: 8.4 ↘ 7: 9.5 ↘ 8: 9.4 ↖ 9: 10.5x → 10: 9.8 → Series 95.6 575.8

Gundsøllille Megalink Open 2020

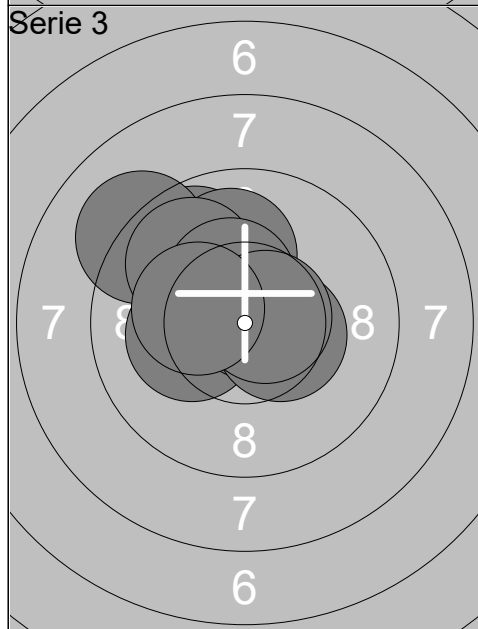
Relay	Lane	Ole Martin Halvorsen	
4	27	Gundsøllille Megalink OPE	Norges Skytterforbund
1.01.2020	GMO2020 Day 3	Gundsøllille OPEN 2020	MJ
<b>Serie 1</b>	1: 10.4x ↗ 2: 10.4x → 3: 10.2x ↘ 4: 10.3x ↓ 5: 9.5 ↘ 6: 10.3x ↓ 7: 10.8x ← 8: 10.3x ↗ 9: 10.3x ↘ 10: 9.4 → <b>Series 101.9</b> 101.9	<b>Serie 2</b>	1: 10.0 ↓ 2: 9.3 ↘ 3: 10.2x ↘ 4: 10.4x ↓ 5: 10.4x → 6: 10.4x ↓ 7: 10.7x ↓ 8: 9.7 ↗ 9: 10.3x ← 10: 10.0 ↖ <b>Series 101.4</b> 203.3
<b>Serie 3</b>	1: 9.6 ↖ 2: 10.6x ↖ 3: 10.7x ↑ 4: 10.4x → 5: 9.7 ← 6: 10.8x → 7: 9.5 ↑ 8: 10.0 ↑ 9: 10.5x ↑ 10: 10.7x ↗ <b>Series 102.5</b> 305.8	<b>Serie 4</b>	1: 10.5x ↖ 2: 10.5x ↑ 3: 10.3x → 4: 10.5x ↓ 5: 10.5x ↘ 6: 10.3x ↓ 7: 10.5x ↑ 8: 10.3x ↖ 9: 9.8 ↗ 10: 9.5 ← <b>Series 102.7</b> 408.5
<b>Serie 5</b>	1: 10.4x ↓ 2: 9.6 ↖ 3: 10.2x ↘ 4: 10.3x ← 5: 10.7x ↗ 6: 10.4x ↓ 7: 10.6x ← 8: 10.6x ← 9: 10.4x ← 10: 10.7x ↘ <b>Series 103.9</b> 512.4	<b>Serie 6</b>	1: 10.6x → 2: 10.6x → 3: 10.1 ↑ 4: 9.4 ← 5: 10.1 ↗ 6: 10.7x ← 7: 9.7 ↘ 8: 10.5x → 9: 9.8 ↓ 10: 9.9 ↓ <b>Series 101.4</b> 613.8



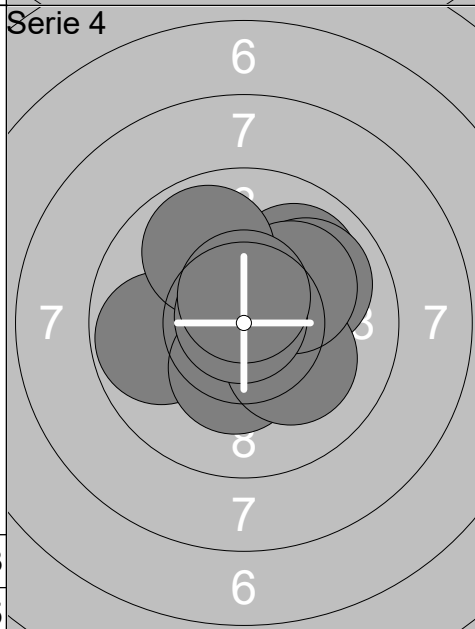
1:	10.6x ↑
2:	10.3x →
3:	10.3x ↘
4:	9.5 ↑
5:	10.5x →
6:	8.9 ↑
7:	9.9 ↗
8:	9.7 ↘
9:	9.5 ↘
10:	10.8x →
<b>Series</b>	<b>100.0</b>
	<b>100.0</b>



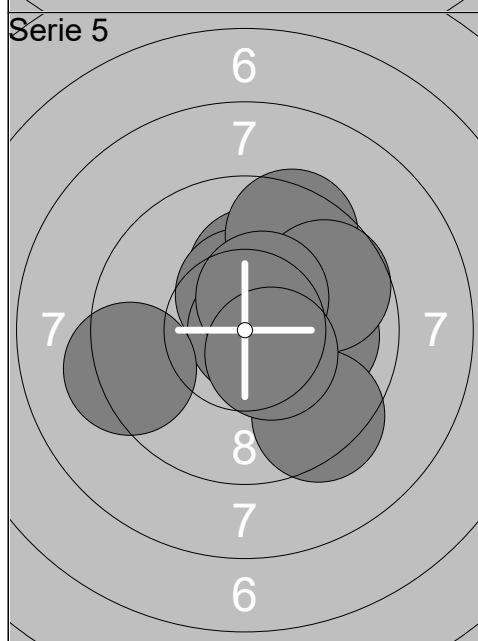
1:	9.4 ↑
2:	10.0 ←
3:	10.8x ↖
4:	10.1 ←
5:	10.7x →
6:	10.4x ↑
7:	9.2 →
8:	9.8 ↑
9:	10.5x ↑
10:	9.3 ↑
<b>Series</b>	<b>100.2</b>
	<b>200.2</b>



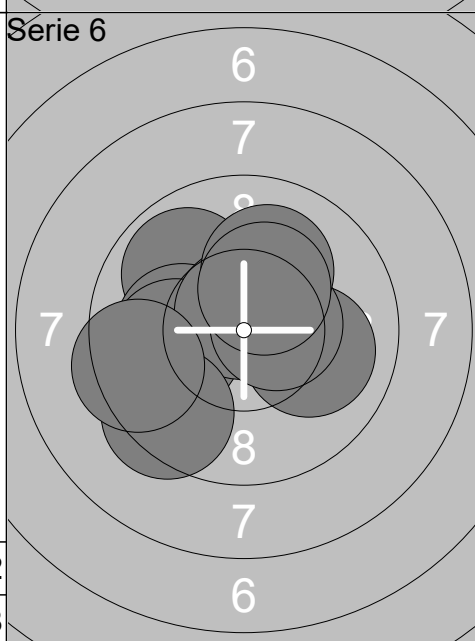
1:	10.2x ←
2:	9.7 ↗
3:	10.0 ↑
4:	10.7x ↗
5:	10.4x →
6:	9.1 ↗
7:	9.8 ↗
8:	10.4x ↑
9:	10.7x →
10:	10.3x ←
<b>Series</b>	<b>101.3</b>
	<b>301.5</b>



1:	9.8 ←
2:	9.9 ↗
3:	9.9 ↗
4:	10.7x ↓
5:	10.3x ↓
6:	10.1 ↘
7:	10.1 ↗
8:	9.9 ↑
9:	10.8x ↗
10:	10.6x ↑
<b>Series</b>	<b>102.1</b>
	<b>403.6</b>



1:	10.2x ↑
2:	10.5x ↑
3:	10.8x →
4:	10.0 →
5:	9.5 ↑
6:	9.7 →
7:	10.4x ↑
8:	9.4 ↘
9:	10.4x ↘
10:	9.3 ←
<b>Series</b>	<b>100.2</b>
	<b>503.8</b>



1:	9.9 ↖
2:	10.1 ←
3:	10.0 →
4:	10.0 ←
5:	10.7x ↑
6:	10.5x →
7:	10.1 ↑
8:	9.4 ↘
9:	10.3x ↑
10:	9.4 ←
<b>Series</b>	<b>100.4</b>
	<b>604.2</b>