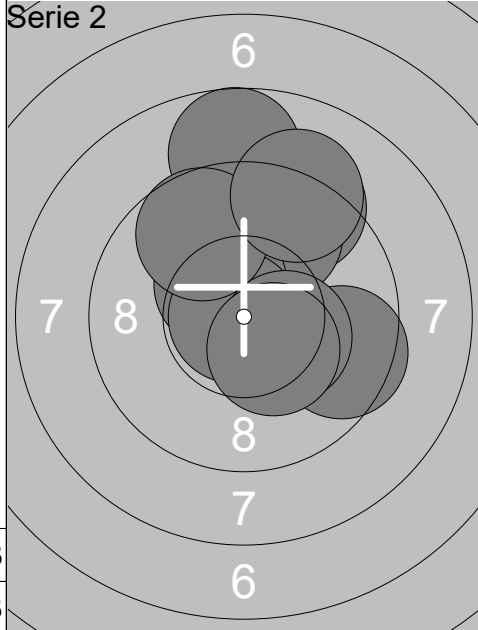
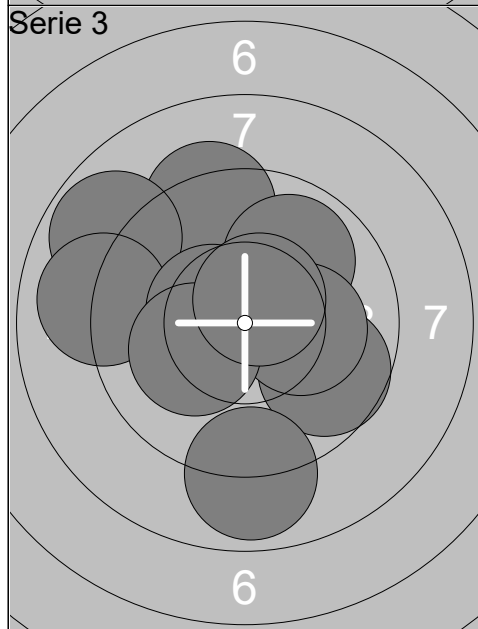


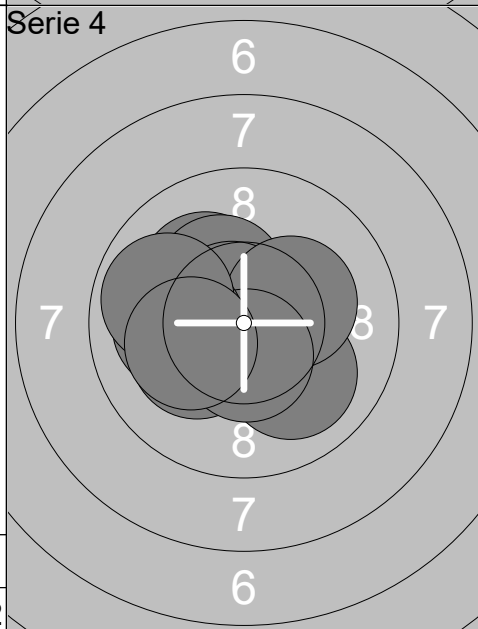
1:	10.7x	←
2:	9.3	↘
3:	10.1	↙
4:	10.3x	↓
5:	10.1	↘
6:	10.3x	↓
7:	10.2x	↓
8:	10.5x	↗
9:	9.4	↗
10:	10.4x	↘
Series	101.3	
	101.3	



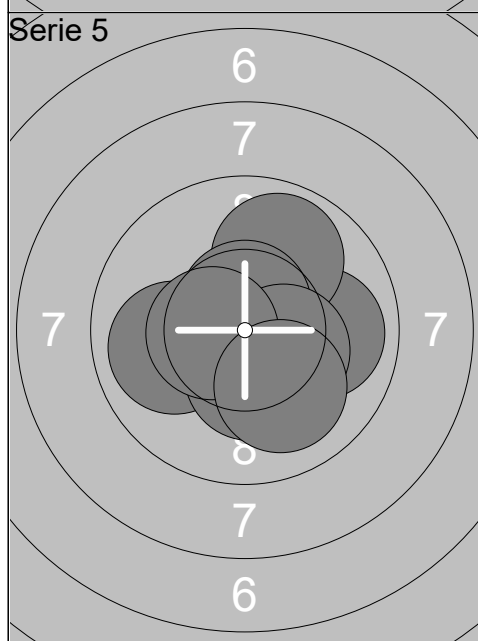
1:	9.3	↗
2:	9.7	↗
3:	10.4x	↖
4:	9.5	→
5:	10.8x	←
6:	8.7	↑
7:	9.7	↗
8:	10.3x	→
9:	9.1	↗
10:	10.3x	↘
Series	97.8	
	199.1	



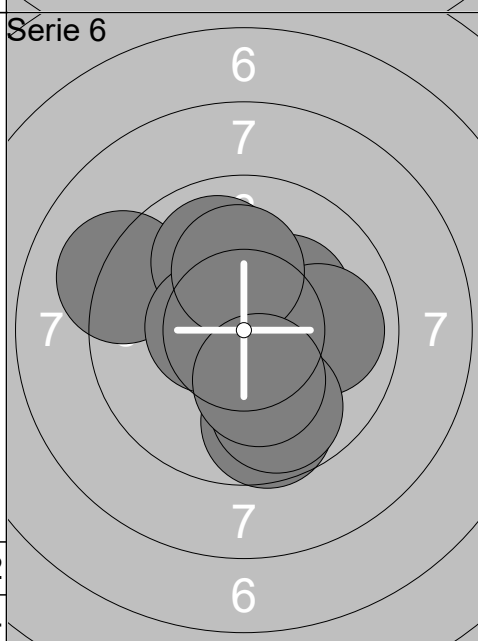
1:	9.7	↘
2:	9.3	↑
3:	9.9	↗
4:	8.8	↖
5:	9.0	←
6:	10.5x	←
7:	10.2x	→
8:	10.2x	↖
9:	10.6x	↗
10:	8.9	↓
Series	97.1	
	296.2	



1:	10.1	↖
2:	10.0	↘
3:	10.3x	↖
4:	10.2x	↖
5:	10.7x	↖
6:	10.2x	→
7:	10.5x	↓
8:	10.1	←
9:	9.8	←
10:	10.1	←
Series	102.0	
	398.2	



1:	10.2x	↗
2:	10.6x	↗
3:	9.9	→
4:	9.9	↗
5:	9.9	←
6:	10.3x	↓
7:	10.6x	↑
8:	10.3x	→
9:	10.5x	←
10:	10.0	↘
Series	102.2	
	500.4	

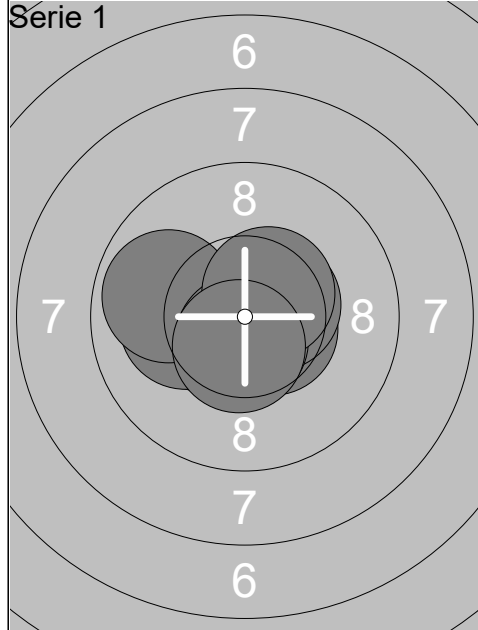


1:	10.8x	↓
2:	9.6	↓
3:	9.1	↖
4:	9.9	↗
5:	10.5x	←
6:	10.2x	↗
7:	9.9	→
8:	10.1	↑
9:	9.8	↓
10:	10.2x	↓
Series	100.1	
	600.5	

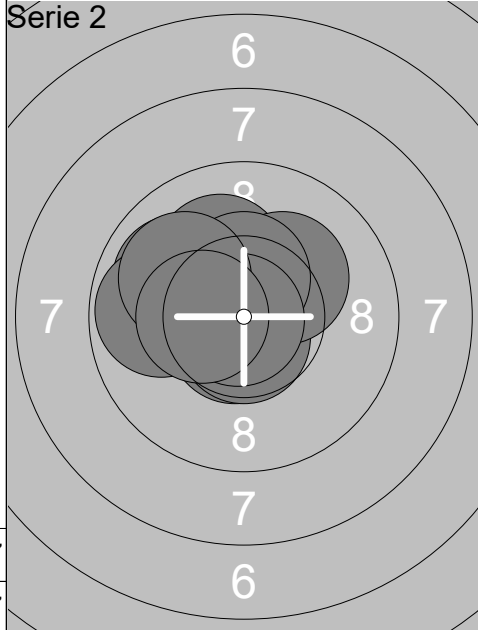
Relay 3	Lane 2	Amanda Carlsson	
-------------------	------------------	------------------------	--

Gundsøllille Megalink OPE	Gullabo SKF	WJ	
---------------------------	-------------	----	--

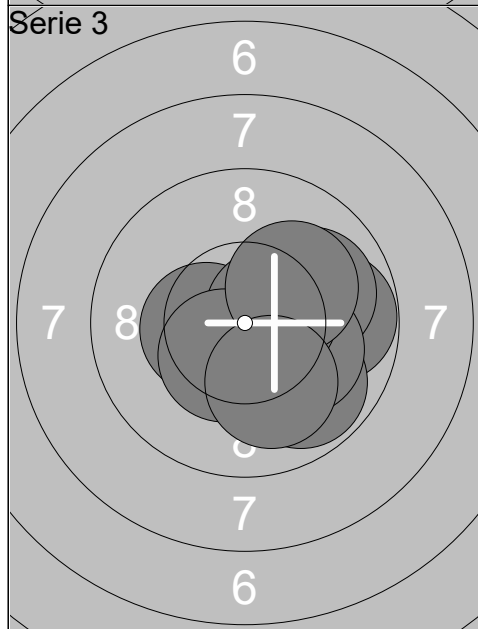
18.01.2020	GMO2020 Day 2	Gundsøllille OPEN 2020	
------------	---------------	------------------------	--



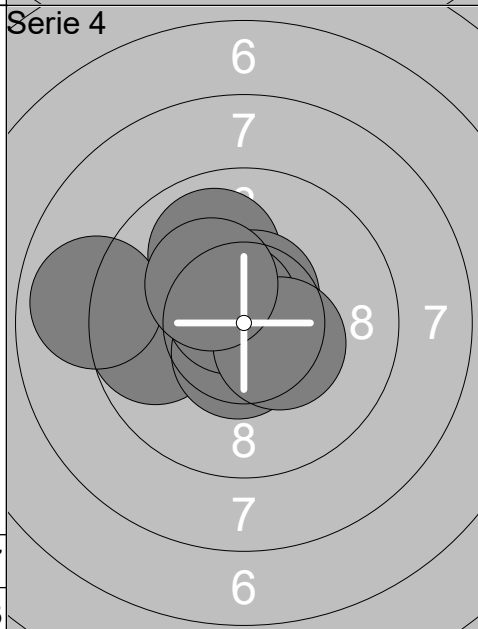
1:	10.4x ←
2:	10.6x ←
3:	10.5x →
4:	10.1 ←
5:	10.1 ←
6:	10.5x →
7:	9.9 ←
8:	10.6x ↓
9:	10.5x ↗
10:	10.5x ↓
Series	103.7
	103.7



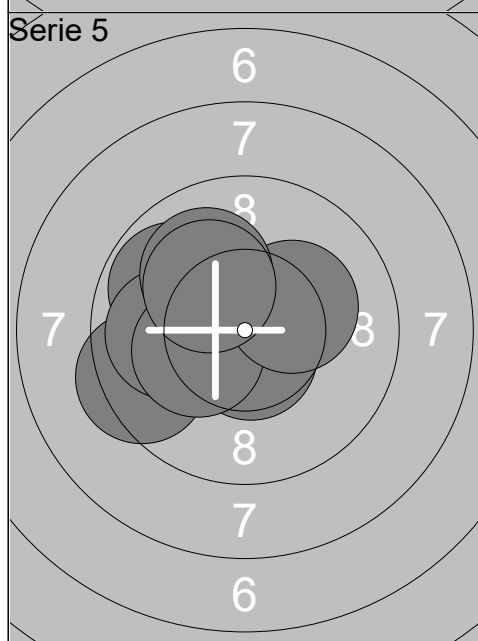
1:	9.9 ↖
2:	10.1 ↗
3:	10.6x ↓
4:	9.8 ←
5:	10.7x ↓
6:	10.2x ↗
7:	10.4x ↑
8:	10.8x ↙
9:	10.0 ↖
10:	10.4x ←
Series	102.9
	206.6



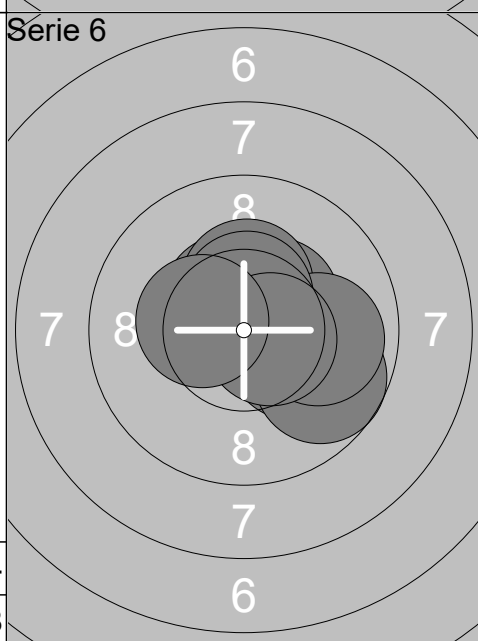
1:	10.4x →
2:	9.8 →
3:	10.0 ↗
4:	9.8 ↓
5:	10.1 →
6:	10.4x ←
7:	10.6x →
8:	10.4x ↓
9:	10.1 ↗
10:	10.1 ↓
Series	101.7
	308.3



1:	9.9 ↗
2:	10.6x ↙
3:	9.7 ←
4:	10.5x ↓
5:	10.7x ↗
6:	10.5x ↑
7:	10.7x ↖
8:	10.4x →
9:	8.9 ←
10:	10.2x ↖
Series	102.1
	410.4

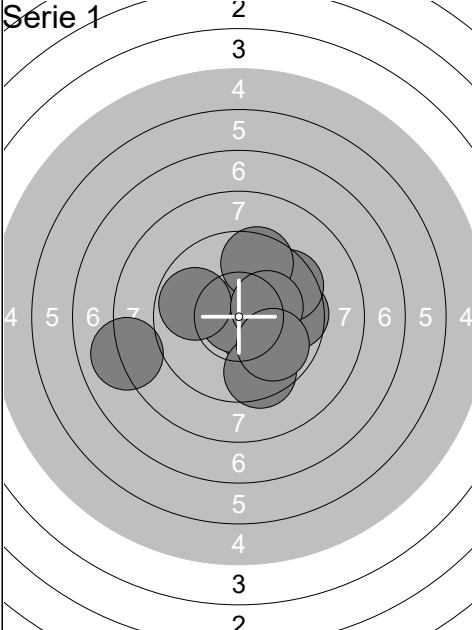
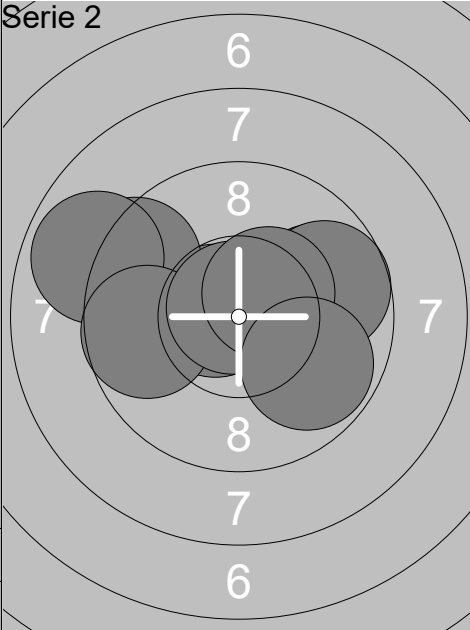
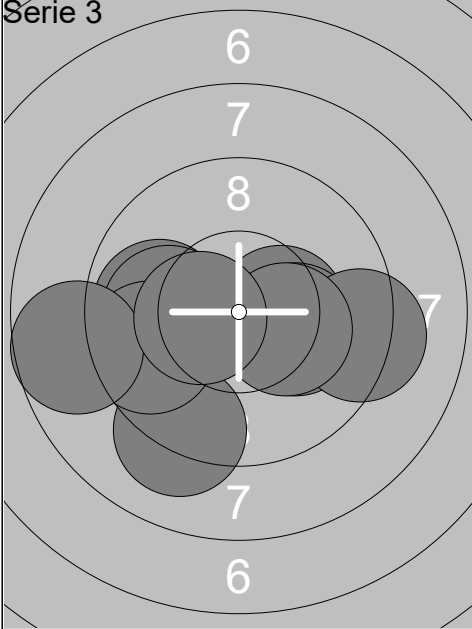
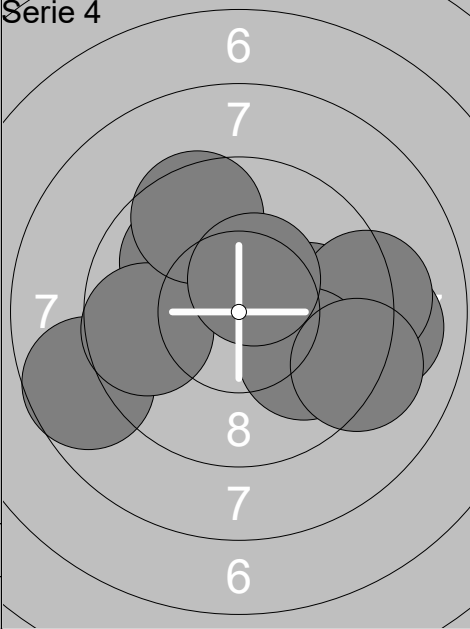
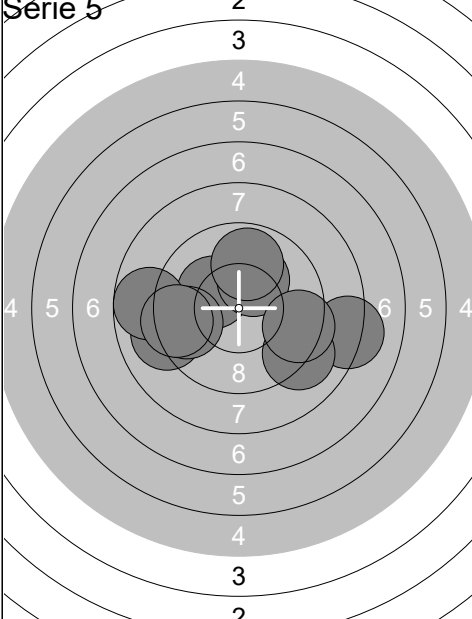
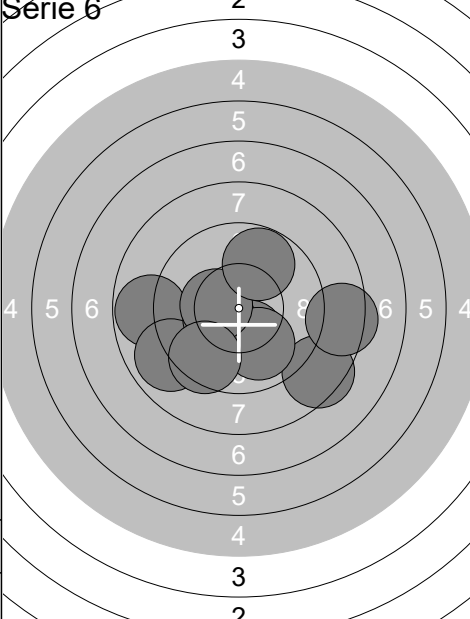


1:	10.8x ↖
2:	9.4 ←
3:	10.6x ↓
4:	10.3x ↖
5:	9.8 ↖
6:	9.9 ←
7:	10.2x ↙
8:	10.2x →
9:	10.0 ↗
10:	10.2x ↖
Series	101.4
	511.8

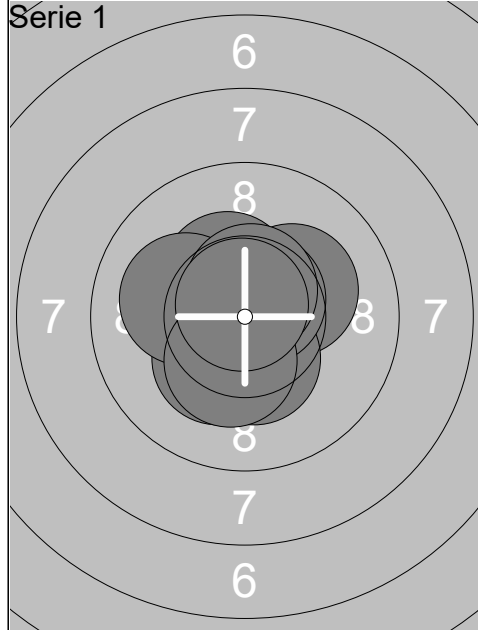


1:	10.2x →
2:	10.5x ↖
3:	10.4x ↗
4:	9.7 →
5:	10.6x →
6:	10.3x ↑
7:	9.9 →
8:	10.5x ↑
9:	10.5x →
10:	10.4x ←
Series	103.0
	614.8

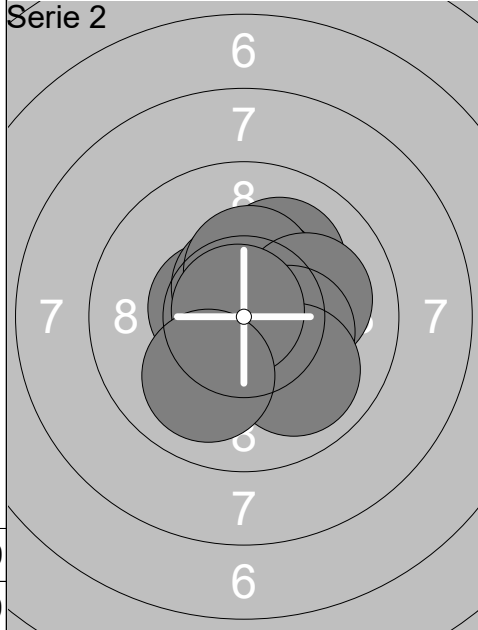
Gundsøllille Megalink Open 2020

Relay	Lane	Maria Dahl		
Gundsøllille Megalink OPE	FHSS	WJ		
18.01.2020	GMO2020 Day 2	Gundsøllille OPEN 2020		
Serie 1		1: 10.5x ↘ 2: 9.6 → 3: 9.5 ↗ 4: 10.8x ← 5: 8.0 ← 6: 9.5 ↑ 7: 9.8 ← 8: 10.2x → 9: 9.5 ↓ 10: 9.8 ↘ Series 97.2 97.2	Serie 2 	1: 10.6x ← 2: 9.4 ↖ 3: 10.5x ↗ 4: 8.9 ↖ 5: 9.8 → 6: 9.7 ← 7: 10.8x ↗ 8: 9.7 → 9: 10.4x ↗ 10: 9.8 ↘ Series 99.6 196.8
Serie 3		1: 10.4x → 2: 10.1 → 3: 9.9 ← 4: 9.1 ↓ 5: 9.2 → 6: 10.0 ← 7: 9.6 ← 8: 10.3x → 9: 8.7 ← 10: 10.4x ← Series 97.7 294.5	Serie 4 	1: 8.7 ← 2: 9.9 ↗ 3: 9.7 ← 4: 10.0 → 5: 9.5 ↑ 6: 9.0 → 7: 9.2 → 8: 9.9 ↘ 9: 10.4x ↑ 10: 9.2 ↘ Series 95.5 390.0
Serie 5		1: 10.2x ↖ 2: 9.0 ← 3: 8.7 ← 4: 8.2 → 5: 9.6 ← 6: 9.4 ← 7: 10.2x ↗ 8: 9.1 ↘ 9: 9.4 → 10: 9.8 ↑ Series 93.6 483.6	Serie 6 	1: 8.8 ← 2: 8.9 ← 3: 10.2x ↓ 4: 8.4 ↘ 5: 10.4x ↖ 6: 9.9 ↓ 7: 10.4x ← 8: 9.5 ↘ 9: 8.4 → 10: 9.7 ↑ Series 94.6 578.2

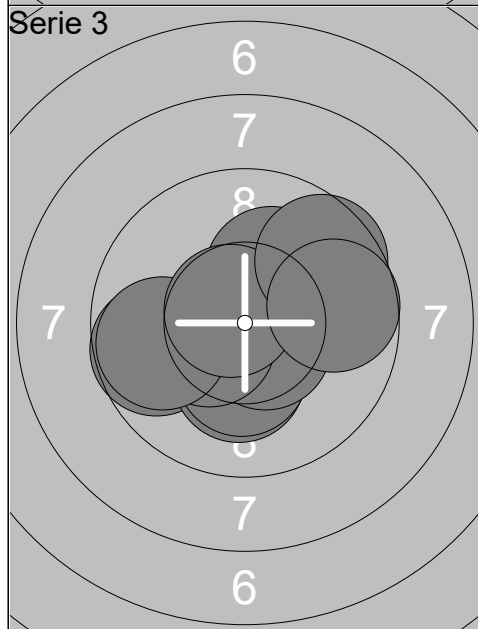
Gundsøllille Megalink Open 2020



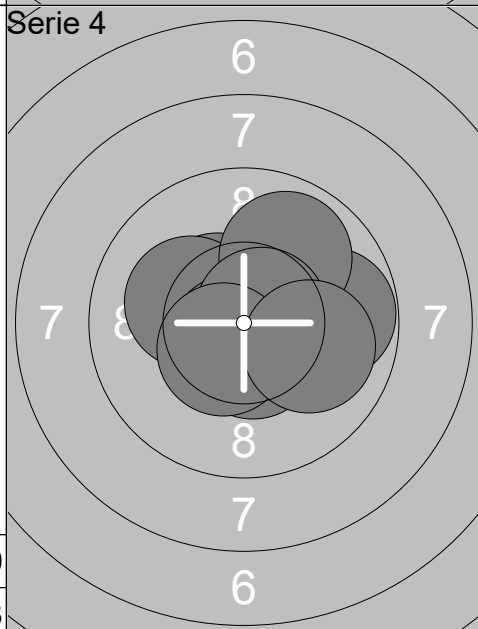
1:	10.3x ↗
2:	10.6x ↑
3:	10.2x ↗
4:	10.2x ↘
5:	10.3x ↓
6:	10.6x ↗
7:	10.1 ←
8:	10.5x ↑
9:	10.3x ↓
10:	10.8x ↑
Series	103.9
	103.9



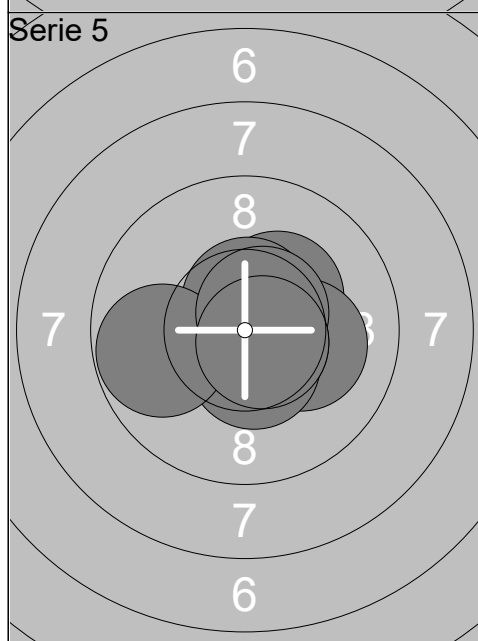
1:	10.5x ↙
2:	10.1 ↗
3:	10.4x ↑
4:	10.5x ↑
5:	10.3x ↑
6:	10.0 →
7:	10.3x →
8:	10.0 ↘
9:	10.8x ↗
10:	10.0 ↓
Series	102.9
	206.8



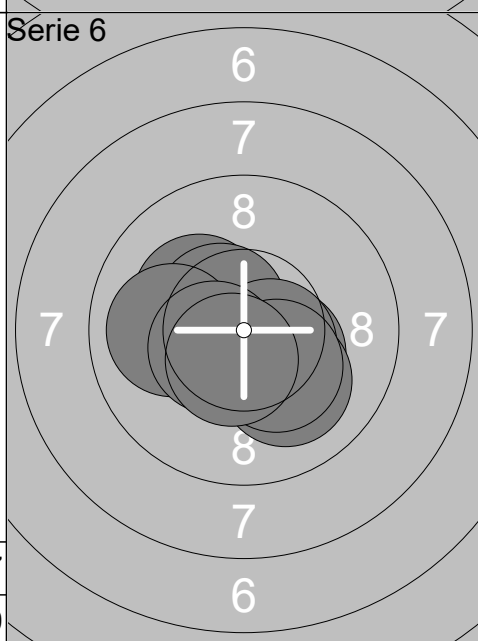
1:	9.7 ←
2:	10.2x ↓
3:	10.1 ↗
4:	10.3x ↓
5:	10.5x ↘
6:	10.4x ↙
7:	9.8 ←
8:	10.7x ↗
9:	9.6 ↗
10:	9.7 →
Series	101.0
	307.8



1:	10.4x ↗
2:	10.5x ↓
3:	10.8x ↓
4:	9.8 →
5:	10.2x ↙
6:	9.9 ↗
7:	10.7x ↓
8:	10.6x →
9:	10.5x ↘
10:	10.0 →
Series	103.4
	411.2



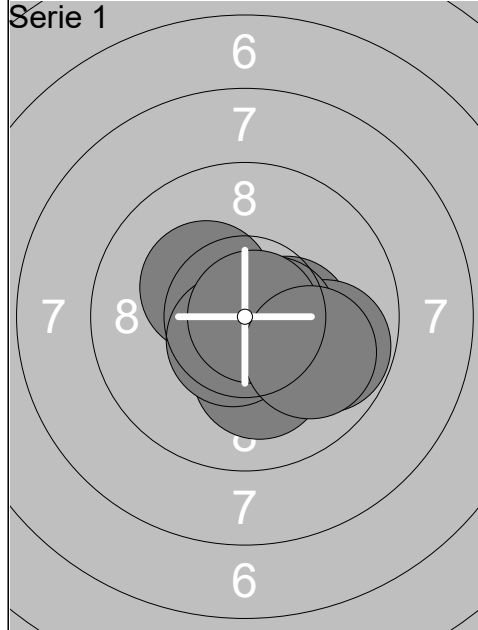
1:	10.8x ↑
2:	10.3x ↗
3:	10.8x ↑
4:	10.6x ↑
5:	10.1 →
6:	10.6x ↘
7:	10.5x ↓
8:	9.8 ←
9:	10.6x ↗
10:	10.6x ↘
Series	104.7
	515.9



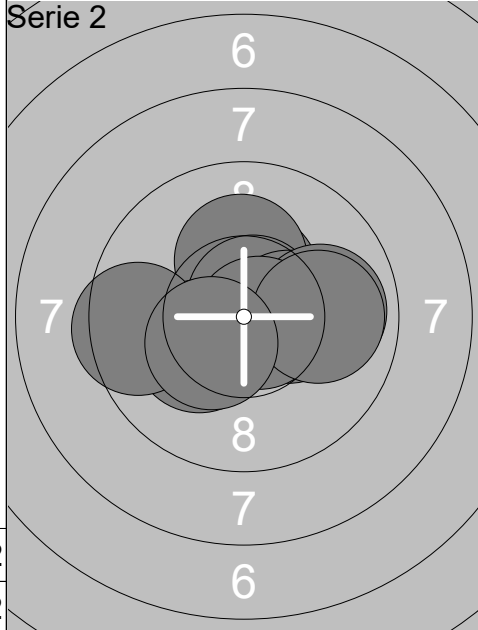
1:	10.3x ↘
2:	10.2x ↗
3:	10.5x ↓
4:	10.1 ↓
5:	10.5x ↗
6:	10.5x ↘
7:	10.0 ←
8:	10.3x ↘
9:	10.5x ↙
10:	10.5x ↓
Series	103.4
	619.3

Relay	Lane	Christine Jacobi	
Gundsøllille Megalink OPE	Viborg Skytte Forening	WJ	
18.01.2020	GMO2020 Day 2	Gundsøllille OPEN 2020	
Serie 1	1: 10.8x ↗ 2: 10.2x ↑ 3: 10.8x → 4: 10.3x ↑ 5: 10.4x ↗ 6: 10.7x ← 7: 9.7 → 8: 10.5x → 9: 10.6x ← 10: 10.4x ↗ Series 104.4 104.4	Serie 2	1: 10.1 ↖ 2: 10.2x ← 3: 10.5x → 4: 10.3x → 5: 10.1 → 6: 9.3 ↖ 7: 9.9 ↑ 8: 10.8x ↘ 9: 10.6x → 10: 9.8 ↘ Series 101.6 206.0
Serie 3	1: 9.8 ↓ 2: 10.5x ↘ 3: 10.5x ↓ 4: 10.2x ↘ 5: 10.7x ← 6: 10.0 ↓ 7: 10.4x ← 8: 10.0 → 9: 10.9x 10: 9.9 ↘ Series 102.9 308.9	Serie 4	1: 10.3x ← 2: 10.2x ← 3: 10.5x ↓ 4: 9.8 → 5: 10.2x ↗ 6: 10.3x → 7: 10.6x ↗ 8: 10.7x ↑ 9: 10.5x ↗ 10: 10.8x → Series 103.9 412.8
Serie 5	1: 9.5 ↘ 2: 10.3x ↗ 3: 10.4x → 4: 10.7x ← 5: 10.1 → 6: 10.2x ← 7: 9.7 ← 8: 10.7x ↘ 9: 9.6 ↗ 10: 10.0 → Series 101.2 514.0	Serie 6	1: 10.8x ↖ 2: 9.9 ← 3: 10.8x ← 4: 9.8 ↗ 5: 10.4x ↓ 6: 10.2x ↖ 7: 9.4 ← 8: 10.7x → 9: 10.5x ↗ 10: 9.7 ← Series 102.2 616.2

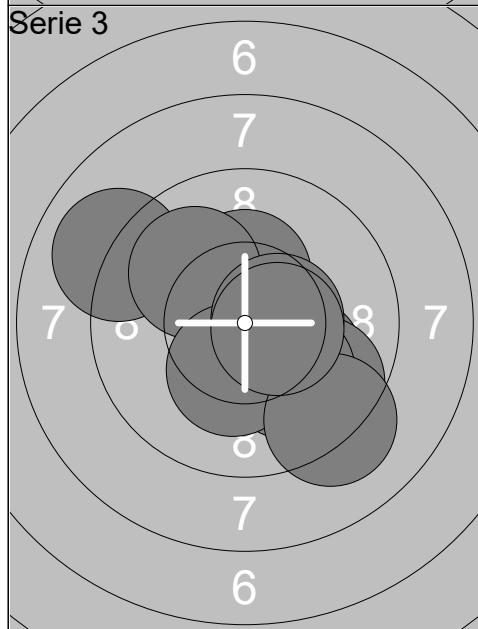
Gundsøllille Megalink Open 2020



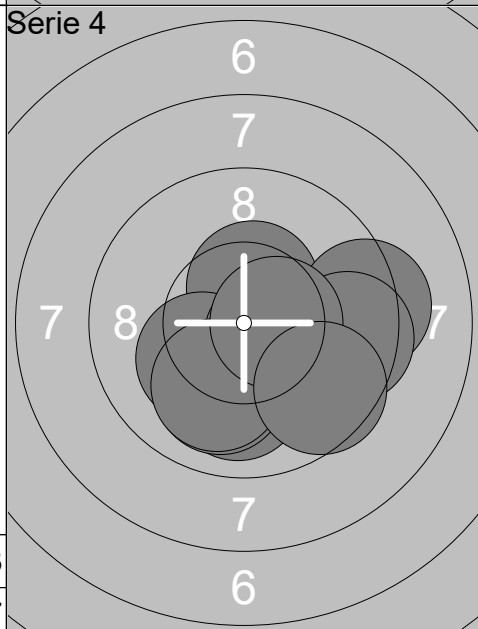
1:	10.3x	↘
2:	10.3x	→
3:	9.8	↘
4:	10.4x	↘
5:	10.2x	↘
6:	10.3x	↗
7:	10.6x	→
8:	10.6x	↘
9:	10.8x	→
10:	9.9	↘
Series		103.2
		103.2



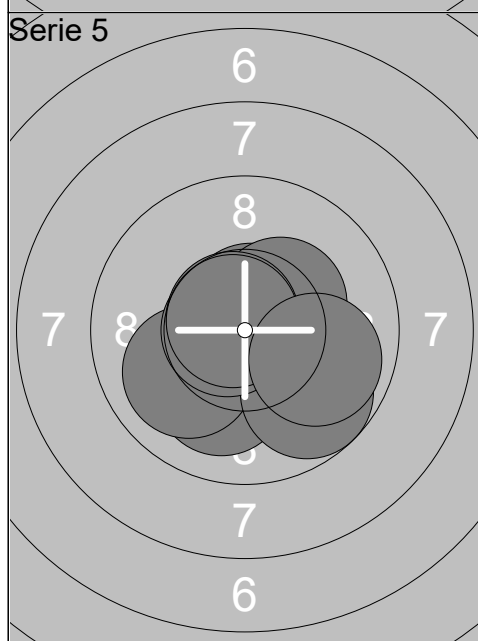
1:	10.4x	↑
2:	10.2x	↑
3:	10.7x	↗
4:	10.3x	→
5:	10.2x	↙
6:	9.9	→
7:	9.5	←
8:	10.7x	→
9:	9.9	→
10:	10.4x	↙
Series		102.2
		205.4



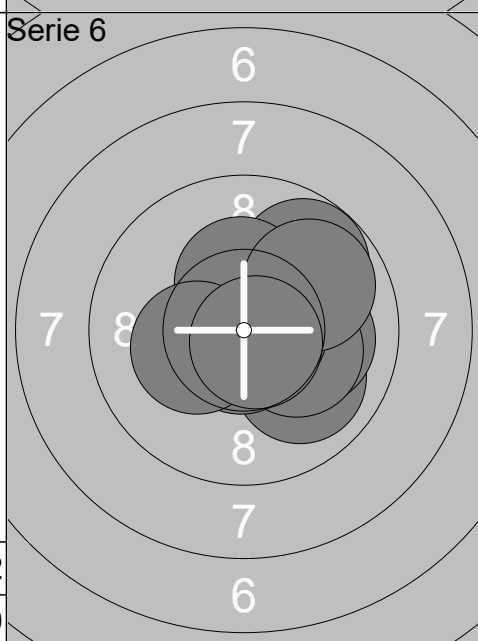
1:	10.0	↘
2:	10.3x	↑
3:	9.0	↖
4:	9.9	↗
5:	9.6	↘
6:	10.0	↘
7:	10.3x	↘
8:	9.2	↘
9:	10.5x	→
10:	10.5x	→
Series		99.3
		304.7



1:	10.4x	↑
2:	10.2x	↙
3:	10.5x	→
4:	10.0	↓
5:	9.3	→
6:	9.5	→
7:	10.0	↓
8:	10.0	↓
9:	10.5x	→
10:	9.6	↘
Series		100.0
		404.7

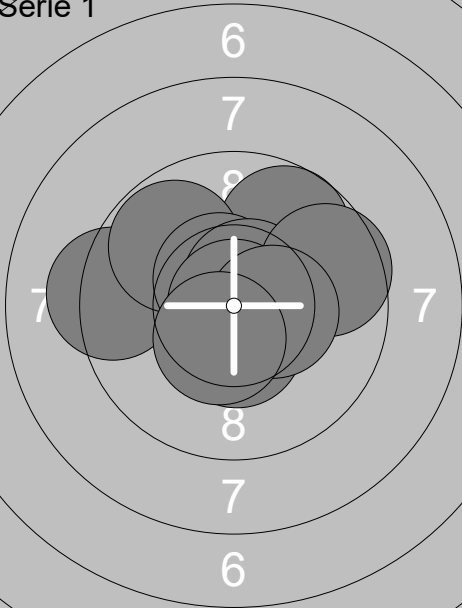
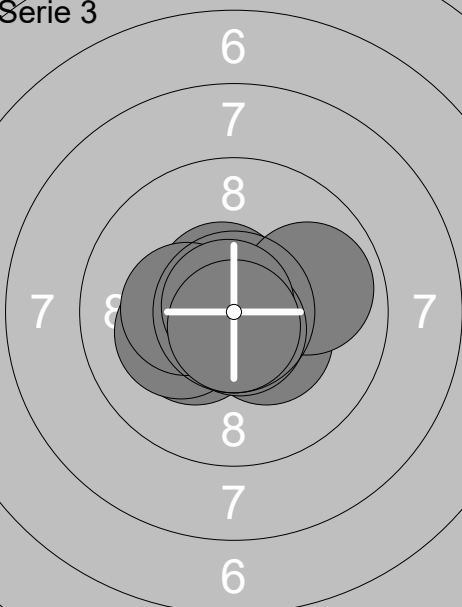
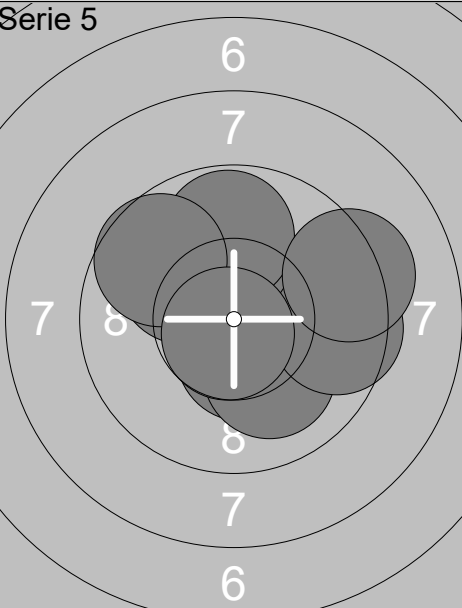


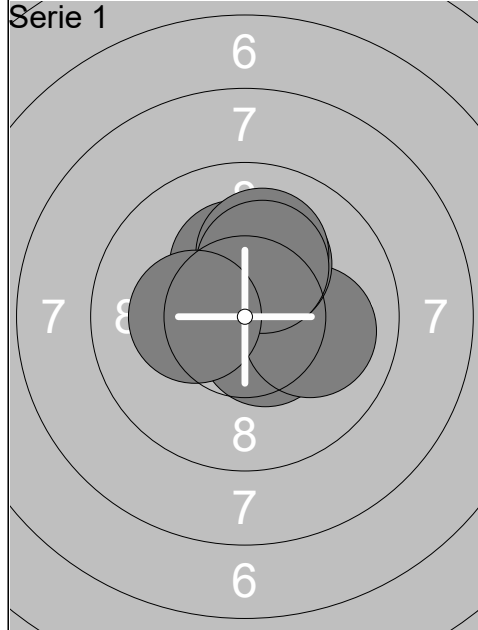
1:	10.1	↘
2:	10.4x	→
3:	10.0	↙
4:	10.6x	↑
5:	9.8	↘
6:	10.3x	↗
7:	10.7x	←
8:	10.7x	↗
9:	10.7x	↗
10:	9.9	→
Series		103.2
		507.9



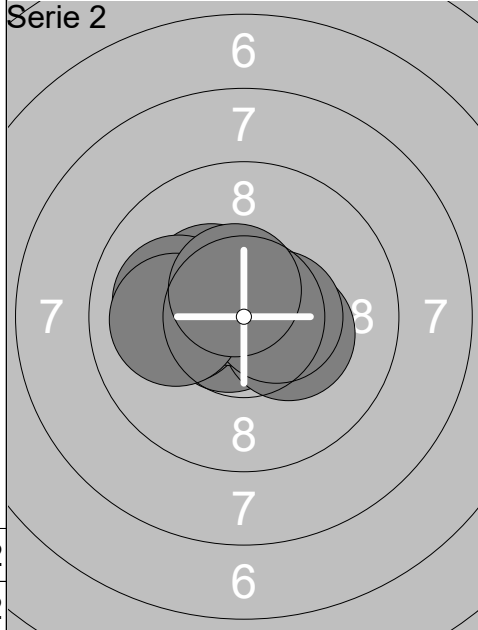
1:	9.9	↘
2:	10.0	→
3:	10.2x	→
4:	10.7x	↓
5:	10.7x	→
6:	9.7	↗
7:	10.3x	↑
8:	10.2x	←
9:	9.9	↗
10:	10.7x	↘
Series		102.3
		610.2

Relay	Lane	Josefine Laursen	
3	7	Gundsøllille Megalink OPE	Viborg Skytte Forening
18.01.2020		GMO2020 Day 2	Gundsøllille OPEN 2020
Serie 1		1: 10.6x ↓ 2: 10.0 ← 3: 10.1 → 4: 10.3x → 5: 10.0 ↓ 6: 10.3x → 7: 9.4 ← 8: 10.6x ↓ 9: 10.5x ↑ 10: 10.6x ← Series 102.4 102.4	Serie 2 1: 10.5x ↖ 2: 10.6x → 3: 9.8 ↓ 4: 10.8x ↑ 5: 9.5 ← 6: 10.3x ↗ 7: 10.6x ↖ 8: 10.1 ↓ 9: 10.2x ← 10: 10.1 ↑ Series 102.5 204.9
Serie 3		1: 10.5x → 2: 9.9 ↑ 3: 10.2x ↑ 4: 10.5x → 5: 10.4x ← 6: 10.7x ← 7: 10.5x ← 8: 10.6x ↓ 9: 10.3x → 10: 10.4x ↓ Series 104.0 308.9	Serie 4 1: 10.2x ← 2: 10.7x ↓ 3: 10.1 ↓ 4: 10.3x ← 5: 10.5x ↙ 6: 9.9 ↖ 7: 10.0 ↑ 8: 10.1 ← 9: 10.1 ↗ 10: 10.5x ↑ Series 102.4 411.3
Serie 5		1: 10.4x ↑ 2: 10.3x ↑ 3: 9.8 ↗ 4: 10.8x ← 5: 9.3 ↓ 6: 9.7 ↓ 7: 10.6x ← 8: 10.8x → 9: 10.7x → 10: 10.3x ↖ Series 102.7 514.0	Serie 6 1: 10.2x → 2: 10.5x ↓ 3: 10.8x ↖ 4: 9.9 → 5: 10.9x ← 6: 9.9 ← 7: 9.9 ↗ 8: 10.1 ↑ 9: 10.4x → 10: 10.1 ↗ Series 102.7 616.7

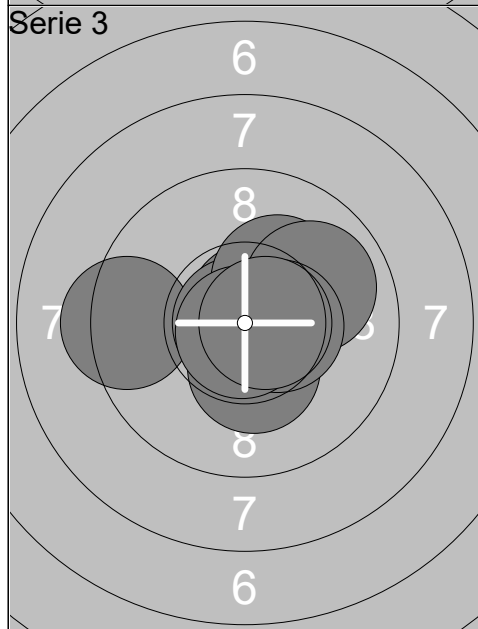
Relay	Lane	Hannah Göransson	
Gundsøllille Megalink OPE	Sävsjö Skytteförening	WJ	
18.01.2020	GMO2020 Day 2	Gundsøllille OPEN 2020	
Serie 1		1: 9.7 ↗ 2: 9.3 ← 3: 9.8 ↖ 4: 10.5x ↗ 5: 10.6x ↗ 6: 9.6 → 7: 10.4x ↓ 8: 10.9x 9: 10.4x → 10: 10.5x ↓ Series 101.7 101.7	Serie 2
		1: 10.1 ↗ 2: 10.4x → 3: 10.7x → 4: 10.6x ↗ 5: 10.6x ↙ 6: 10.7x ↑ 7: 10.0 ↑ 8: 10.6x ↑ 9: 10.6x ↘ 10: 10.1 ↙ Series 104.4 206.1	
Serie 3		1: 10.3x ↙ 2: 10.3x ↘ 3: 10.6x ↗ 4: 9.9 → 5: 10.2x ↙ 6: 10.7x ↙ 7: 10.7x ↓ 8: 10.3x ↙ 9: 10.8x ↗ 10: 10.7x ↓ Series 104.5 310.6	Serie 4
		1: 10.4x → 2: 8.9 ↖ 3: 10.3x ↙ 4: 10.6x ↘ 5: 10.4x ↓ 6: 10.5x ↖ 7: 10.2x → 8: 10.3x ↓ 9: 10.6x → 10: 10.5x ↙ Series 102.7 413.3	
Serie 5		1: 10.4x ↓ 2: 10.6x ↓ 3: 10.5x → 4: 10.0 ↖ 5: 10.1 ↓ 6: 9.8 ↑ 7: 9.5 → 8: 9.7 ↖ 9: 10.7x ↓ 10: 9.2 → Series 100.5 513.8	Serie 6
		1: 9.5 → 2: 10.2x ↙ 3: 10.3x ↓ 4: 10.3x ↑ 5: 10.0 → 6: 10.7x ↓ 7: 10.9x ↓ 8: 10.6x ↖ 9: 10.1 ↖ 10: 9.8 → Series 102.4 616.2	



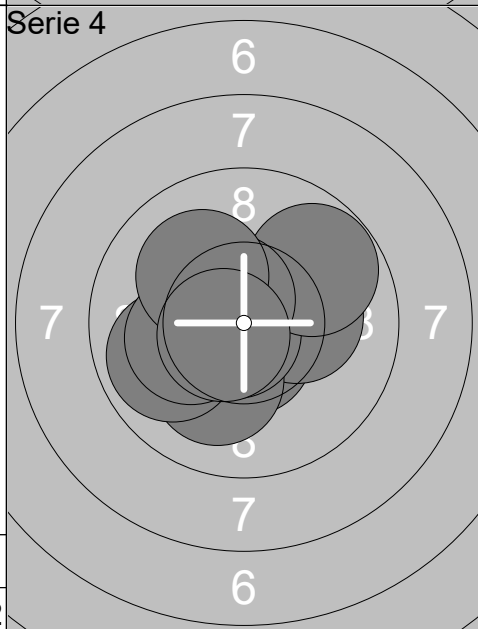
1:	10.5x ↗
2:	10.7x ↖
3:	10.2x ↑
4:	10.6x →
5:	10.5x ↘
6:	10.0 →
7:	10.2x ↗
8:	10.0 ↑
9:	10.2x ↗
10:	10.3x ←
Series	103.2
	103.2



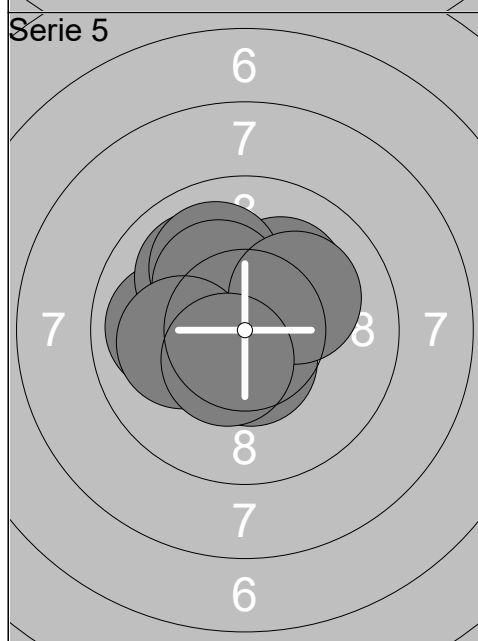
1:	10.7x ←
2:	10.7x ↖
3:	10.3x ⇒
4:	10.4x ↖
5:	10.1 ←
6:	10.0 ←
7:	10.7x ↗
8:	10.5x →
9:	10.0 ←
10:	10.5x ↗
Series	103.9
	207.1



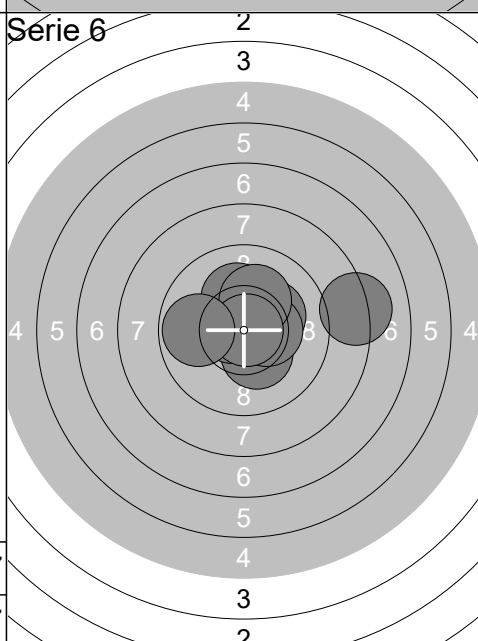
1:	10.7x ⇒
2:	10.7x ↗
3:	9.4 ←
4:	10.9x ←
5:	10.2x ↗
6:	10.3x ↓
7:	9.9 ⇒
8:	10.5x →
9:	10.8x ↓
10:	10.7x →
Series	104.1
	311.2



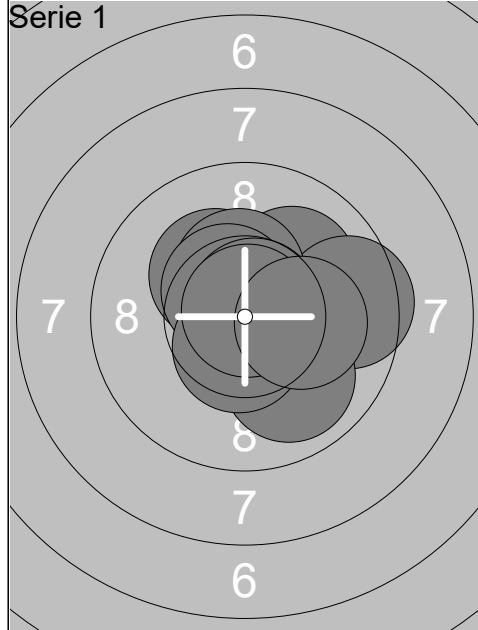
1:	10.6x ↓
2:	10.2x →
3:	10.1 ↓
4:	9.9 ←
5:	10.8x ↖
6:	10.2x ←
7:	9.8 ⇒
8:	10.5x ↖
9:	10.1 ↖
10:	10.6x ↖
Series	102.8
	414.0



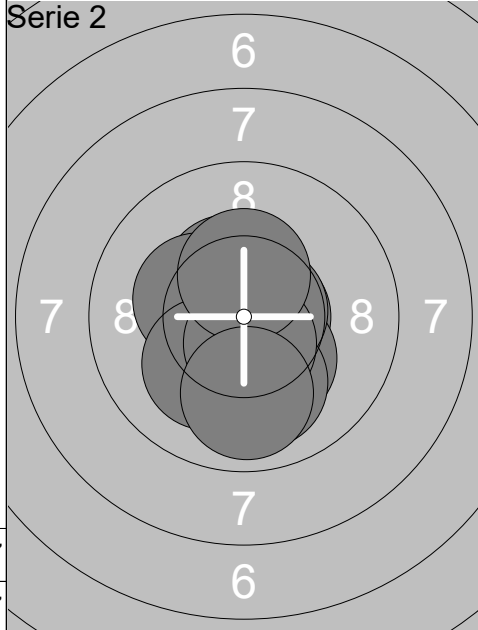
1:	10.4x ↗
2:	9.9 ←
3:	10.0 ↖
4:	10.5x ↓
5:	10.1 ↗
6:	10.0 ↖
7:	10.2x ↖
8:	10.1 ←
9:	10.1 ⇒
10:	10.4x ↘
Series	101.7
	515.7



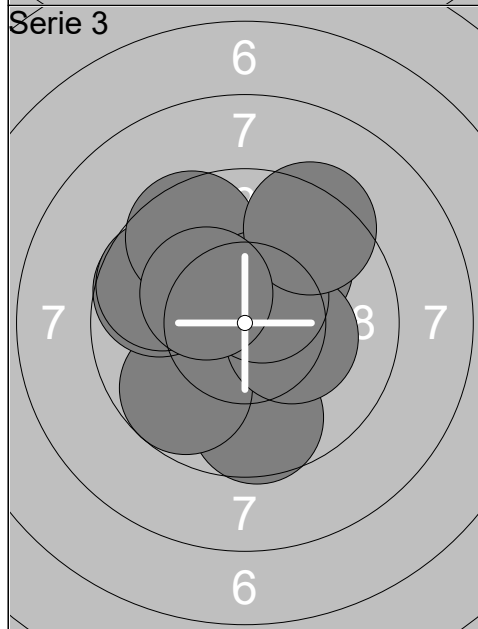
1:	8.1 →
2:	10.3x ↓
3:	10.6x ←
4:	10.2x ↗
5:	10.1 ↑
6:	10.5x →
7:	10.4x →
8:	10.1 ↗
9:	10.9x →
10:	9.8 ←
Series	101.0
	616.7



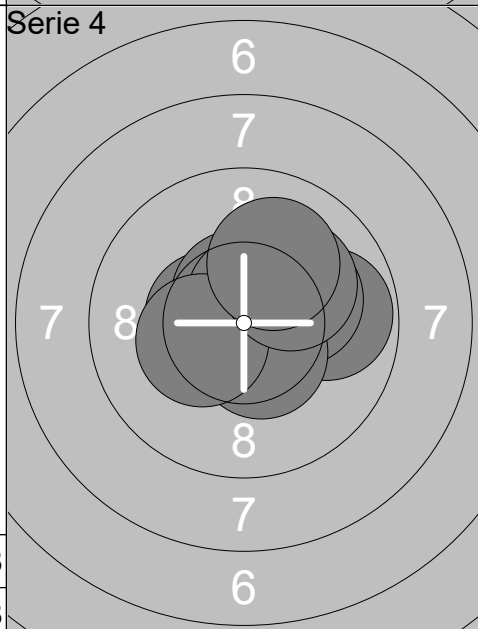
1:	10.2x ↖
2:	10.0 ↗
3:	9.5 →
4:	9.9 ↘
5:	10.4x ↑
6:	10.5x ↖
7:	10.7x ↗
8:	10.5x ↘
9:	10.8x ↗
10:	10.2x →
Series	102.7
	102.7



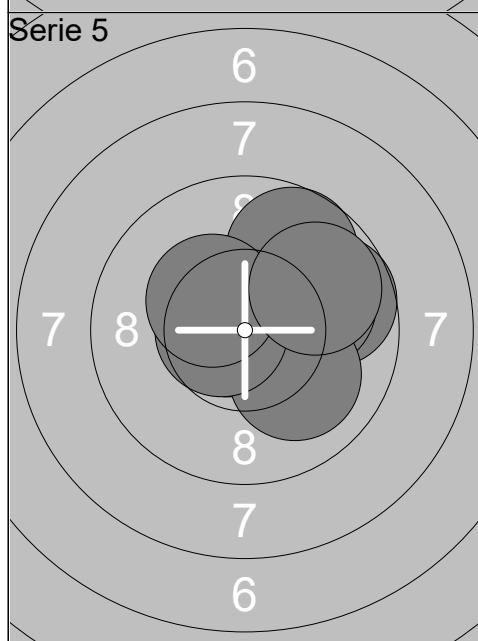
1:	10.4x ↖
2:	10.6x →
3:	10.3x ↘
4:	10.3x ↖
5:	10.0 ↘
6:	10.7x →
7:	10.1 ↘
8:	10.6x ↘
9:	10.4x ↑
10:	9.9 ↘
Series	103.3
	206.0



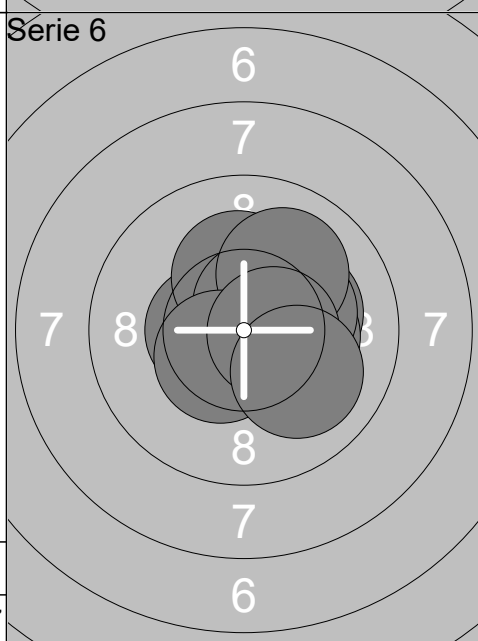
1:	9.6 ↘
2:	9.7 ↘
3:	9.7 ↖
4:	9.7 ↖
5:	10.0 ↗
6:	9.6 ↗
7:	10.3x →
8:	10.5x ↗
9:	9.4 ↗
10:	10.3x ↖
Series	98.8
	304.8



1:	10.5x ↖
2:	10.3x →
3:	10.6x ↑
4:	9.8 →
5:	10.6x ↑
6:	10.1 →
7:	10.5x ↘
8:	10.3x ↖
9:	10.1 ↗
10:	10.0 ↗
Series	102.8
	407.6

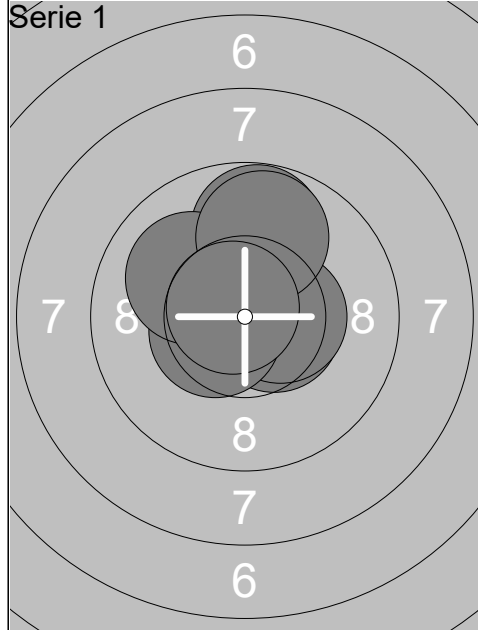


1:	10.7x ↖
2:	10.7x ↖
3:	9.7 →
4:	10.0 →
5:	10.6x ↑
6:	10.0 ↘
7:	9.7 ↗
8:	10.6x ↖
9:	10.3x ↖
10:	9.8 ↗
Series	102.1
	509.7

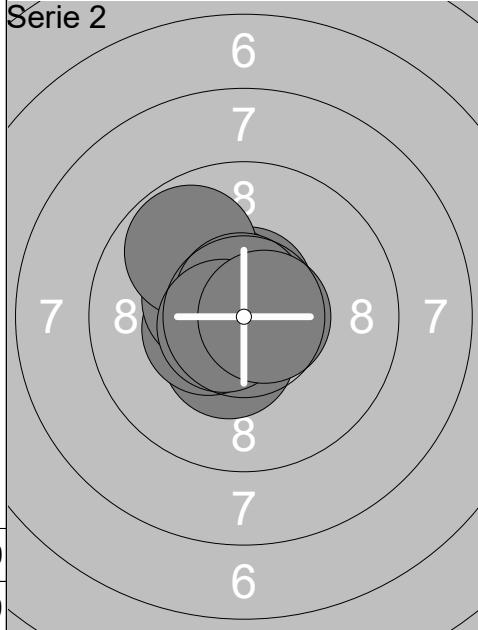


1:	10.2x →
2:	10.3x →
3:	10.5x ↖
4:	10.2x →
5:	10.2x ↑
6:	10.5x ↗
7:	10.0 ↗
8:	10.4x ↘
9:	10.5x →
10:	10.0 ↘
Series	102.8
	612.5

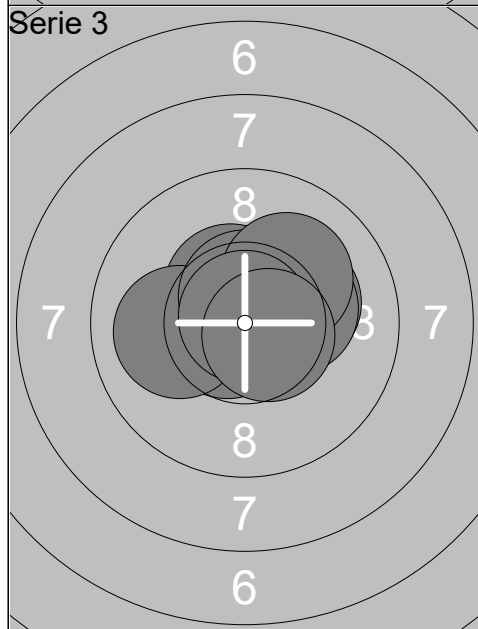
Relay	Lane	Emma Nørholm Koch	
3	11		
Gundsøllille Megalink OPE		Ballerup skytteforening	WJ
18.01.2020		GMO2020 Day 2	Gundsøllille OPEN 2020
Serie 1		1: 10.5x ↑ 2: 10.5x ↑ 3: 10.1 ← 4: 10.4x ↘ 5: 10.8x ↖ 6: 10.3x ← 7: 10.6x ↘ 8: 10.7x ← 9: 10.8x ← 10: 10.5x ↗ Series 105.2 105.2	Serie 2 1: 10.2x ↖ 2: 10.7x ← 3: 10.8x ↓ 4: 10.5x ↗ 5: 10.5x ← 6: 9.9 ↑ 7: 9.9 ← 8: 10.2x ↑ 9: 10.6x → 10: 10.2x → Series 103.5 208.7
Serie 3		1: 10.5x ↓ 2: 10.3x ↘ 3: 10.4x → 4: 10.1 ← 5: 10.6x ← 6: 10.4x ↖ 7: 10.5x ↑ 8: 10.5x ↗ 9: 10.6x → 10: 10.5x ↘ Series 104.4 313.1	Serie 4 1: 10.6x ↑ 2: 10.4x ↖ 3: 9.4 ↓ 4: 10.4x ↑ 5: 10.2x ↓ 6: 10.4x ↓ 7: 10.3x → 8: 10.3x ↑ 9: 10.2x ↗ 10: 10.4x ↓ Series 102.6 415.7
Serie 5		1: 9.8 ← 2: 10.5x ↘ 3: 10.9x ← 4: 10.2x ← 5: 10.2x ↓ 6: 10.7x → 7: 10.3x ↘ 8: 10.7x ↘ 9: 10.1 → 10: 10.3x ↓ Series 103.7 519.4	Serie 6 1: 9.7 ← 2: 10.0 ← 3: 10.5x ↘ 4: 10.5x ↓ 5: 10.7x ↗ 6: 10.4x ↓ 7: 10.8x → 8: 10.7x ↘ 9: 10.3x ↓ 10: 10.6x ↓ Series 104.2 623.6



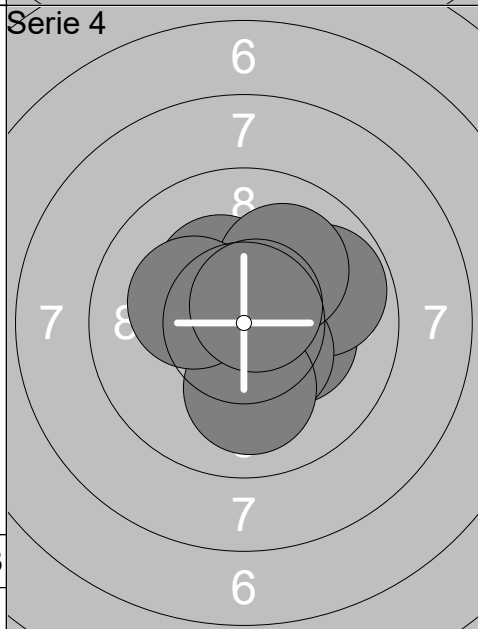
1:	10.9x ←
2:	10.5x ↙
3:	10.8x →
4:	10.5x →
5:	9.8 ↑
6:	10.4x →
7:	10.5x ↙
8:	10.0 ↖
9:	9.8 ↑
10:	10.7x ↖
Series	103.9
	103.9



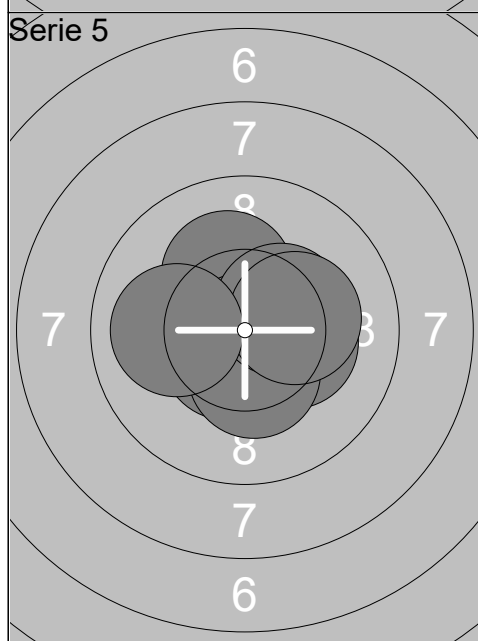
1:	10.4x ↘
2:	10.4x ←
3:	10.6x ↑
4:	10.5x ↖
5:	10.4x ↙
6:	9.8 ↖
7:	10.9x ↑
8:	10.7x ↑
9:	10.6x ↙
10:	10.6x →
Series	104.9
	208.8



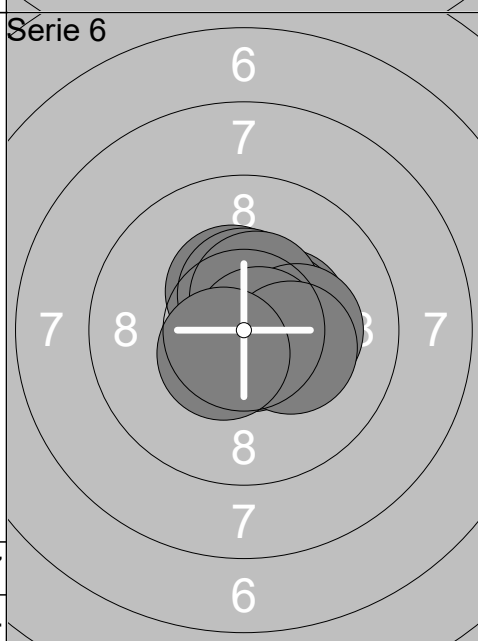
1:	10.7x ↙
2:	10.4x ↖
3:	10.6x →
4:	10.2x →
5:	10.0 ←
6:	10.6x ↑
7:	10.3x →
8:	10.1 ↗
9:	10.8x ↑
10:	10.6x ↘
Series	104.3
	313.1



1:	10.4x →
2:	10.2x →
3:	10.3x ↖
4:	10.6x ↗
5:	9.8 →
6:	10.4x ↘
7:	10.0 ↗
8:	10.1 ↓
9:	10.2x ↙
10:	10.6x ↗
Series	102.6
	415.7

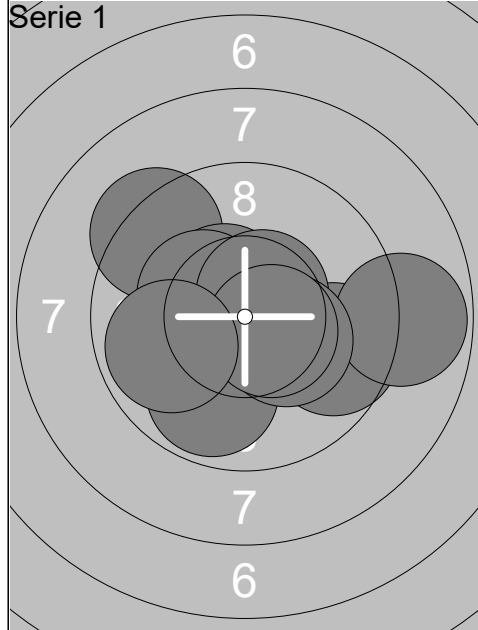


1:	10.5x ↙
2:	10.3x →
3:	10.4x ↙
4:	10.2x ↑
5:	10.5x ↘
6:	10.8x ↓
7:	10.4x ↓
8:	10.4x ↗
9:	10.2x →
10:	10.0 ←
Series	103.7
	519.4

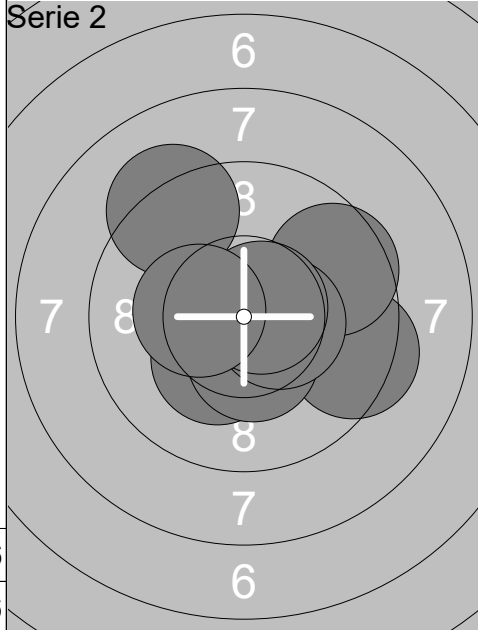


1:	10.4x ↑
2:	10.4x →
3:	10.5x ↑
4:	10.5x →
5:	10.7x ↓
6:	10.5x ↑
7:	10.2x →
8:	10.7x →
9:	10.2x →
10:	10.5x ↘
Series	104.6
	624.0

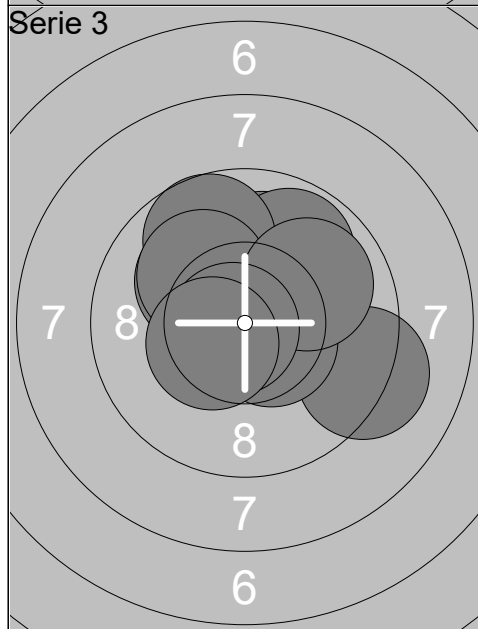
Relay	Lane	Evelina Sundström	
3	13	Gundsøllille Megalink OPE	Skoga Ekshärads Skytteförening
18.01.2020		GMO2020 Day 2	Gundsøllille OPEN 2020
Serie 1 	1: 10.1 →	Serie 2 	1: 10.6x ↘
	2: 10.2x ↖		2: 10.1 ↑
	3: 10.3x ↙		3: 10.2x ↑
	4: 10.7x →		4: 10.0 →
	5: 9.7 ←		5: 10.5x ↓
	6: 10.4x ↑		6: 9.9 →
	7: 10.8x →		7: 9.7 ←
	8: 10.6x ↙		8: 10.4x ↙
	9: 10.8x ↘		9: 9.3 →
	10: 10.6x ↘		10: 10.7x ↙
	Series 104.2		Series 101.4
	104.2		205.6
Serie 3 	1: 10.4x →	Serie 4 	1: 10.6x ↙
	2: 9.7 →		2: 10.2x ↙
	3: 10.3x ↘		3: 9.1 ↘
	4: 10.2x ↙		4: 10.3x →
	5: 10.4x ↑		5: 10.2x ↗
	6: 10.4x ↙		6: 9.6 →
	7: 9.3 →		7: 10.6x ↖
	8: 10.4x ↗		8: 10.6x →
	9: 10.3x ↙		9: 9.5 ↙
	10: 10.5x ↘		10: 10.0 →
	Series 101.9		Series 100.7
	307.5		408.2
Serie 5 	1: 10.1 ←	Serie 6 	1: 10.5x ↙
	2: 9.9 ↓		2: 10.3x →
	3: 9.4 ←		3: 10.7x ↓
	4: 10.9x →		4: 10.6x ↖
	5: 10.4x →		5: 9.6 ←
	6: 10.3x ↘		6: 10.0 ↖
	7: 10.5x →		7: 10.5x ↑
	8: 10.2x →		8: 9.9 ↗
	9: 10.7x ↗		9: 10.0 →
	10: 10.7x ↓		10: 10.2x ↖
	Series 103.1		Series 102.3
	511.3		613.6



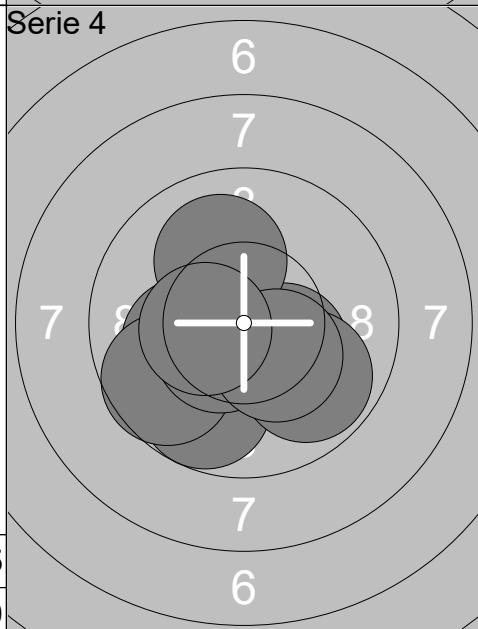
1:	9.7	➔
2:	9.8	⬇
3:	9.3	↗
4:	10.5x	↗
5:	10.3x	↖
6:	8.8	➔
7:	10.5x	↗
8:	10.3x	➔
9:	10.5x	➔
10:	9.9	↖
Series	99.6	
	99.6	



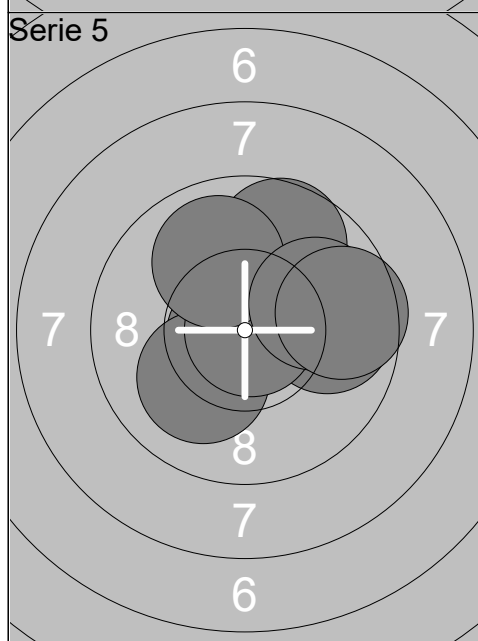
1:	9.8	➔
2:	9.2	↗
3:	10.3x	⬇
4:	9.4	➔
5:	10.6x	➔
6:	9.6	↗
7:	10.4x	⬇
8:	10.5x	➔
9:	10.7x	↗
10:	10.3x	↖
Series	100.8	
	200.4	



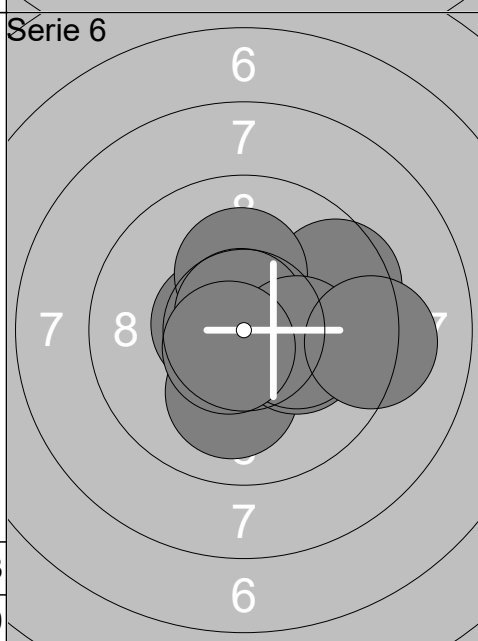
1:	10.0	↗
2:	10.1	↗
3:	9.8	↗
4:	9.2	➔
5:	9.7	↗
6:	10.1	↗
7:	10.5x	➔
8:	9.9	↗
9:	10.8x	↖
10:	10.4x	↖
Series	100.5	
	300.9	



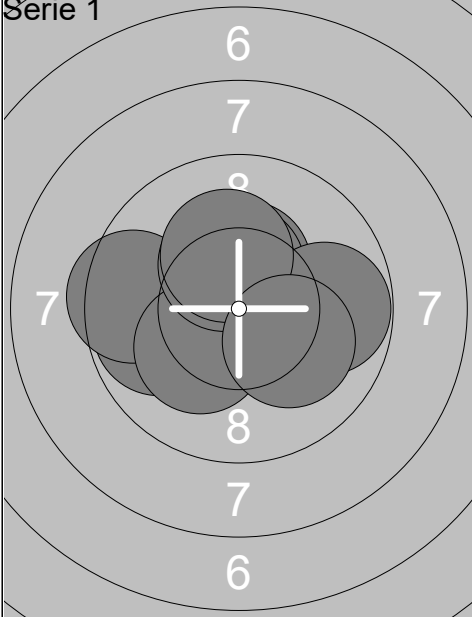
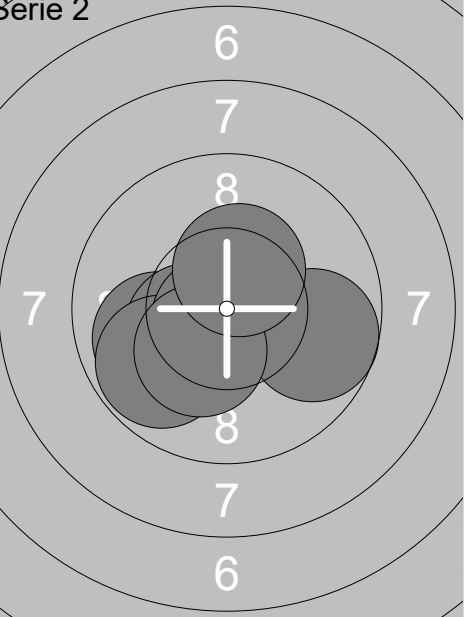
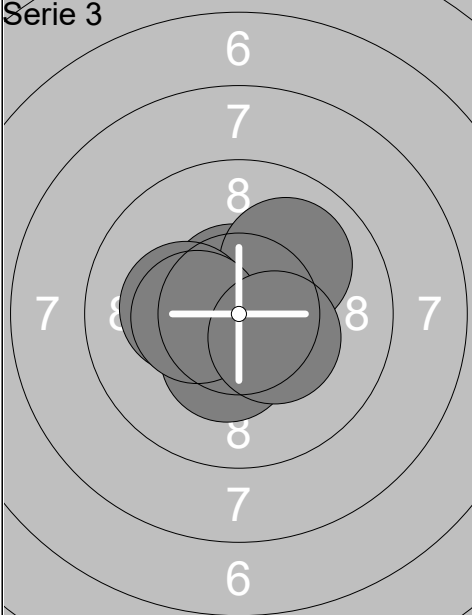
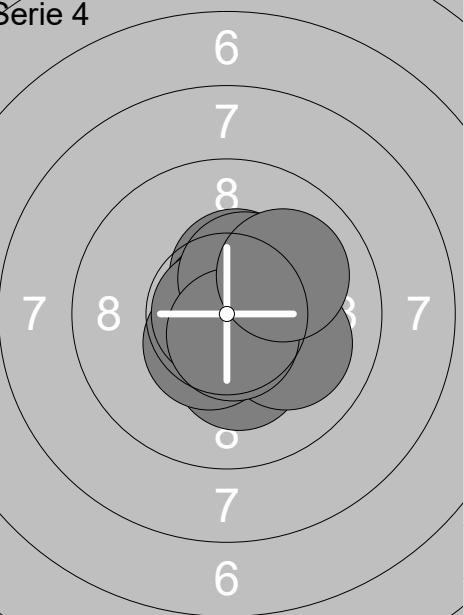
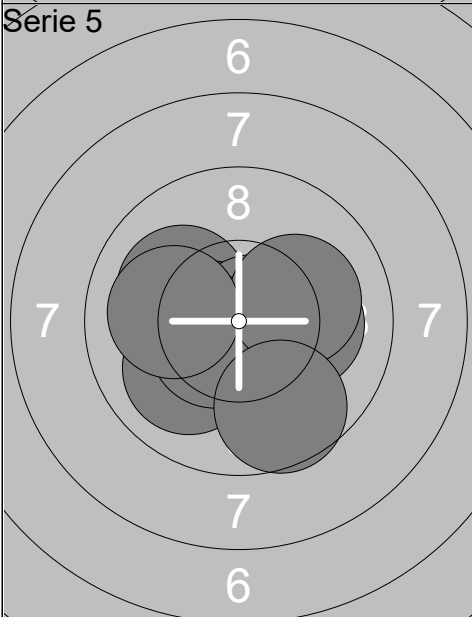
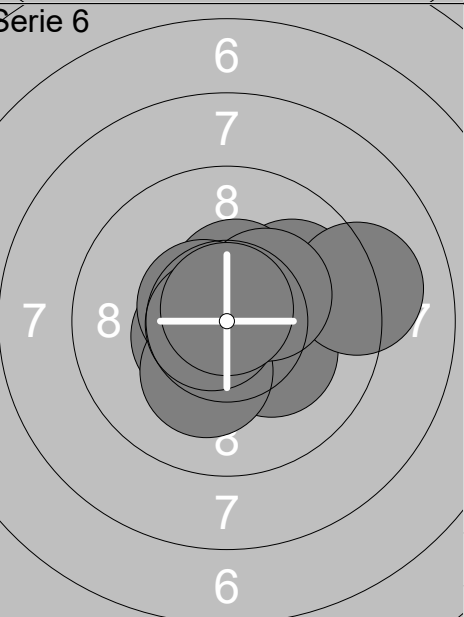
1:	10.0	↖
2:	9.7	⬇
3:	10.1	↖
4:	10.3x	➔
5:	9.8	⬇
6:	9.6	↖
7:	10.5x	⬇
8:	10.0	↗
9:	10.3x	⬇
10:	10.4x	↖
Series	100.7	
	401.6	

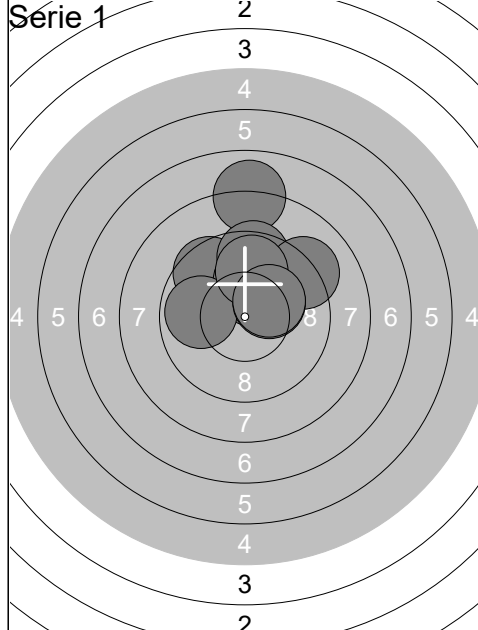


1:	10.7x	↗
2:	10.7x	↖
3:	10.0	↗
4:	9.7	↗
5:	9.8	➔
6:	10.1	⬇
7:	10.9x	➔
8:	9.9	↗
9:	9.9	➔
10:	9.6	➔
Series	101.3	
	502.9	

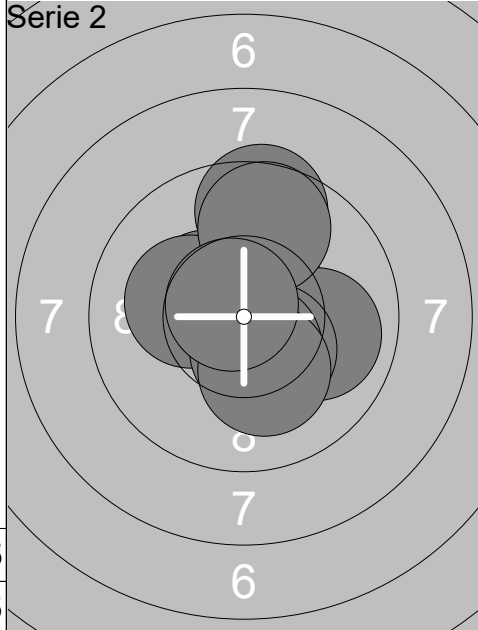


1:	10.1	⬇
2:	10.5x	↖
3:	10.5x	➔
4:	9.6	↗
5:	10.2x	↗
6:	10.2x	➔
7:	10.7x	↗
8:	10.2x	➔
9:	10.6x	⬇
10:	9.2	➔
Series	101.8	
	604.7	

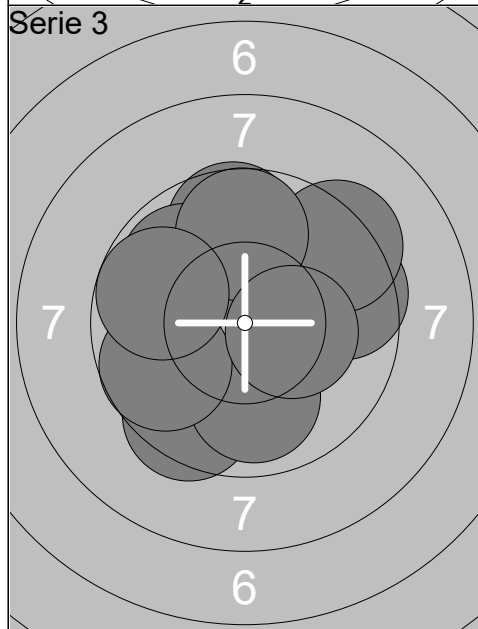
Relay	Lane	Helle Bertelsen	
3	15	Gundsøllille Megalink OPE	Viborg Skytte Forening
18.01.2020		GMO2020 Day 2	Gundsøllille OPEN 2020
Serie 1			1: 9.8 ← 2: 10.8x ← 3: 10.4x ↑ 4: 10.4x ↑ 5: 9.8 → 6: 9.5 ← 7: 10.2x ↙ 8: 10.3x ↑ 9: 10.2x ↑ 10: 10.1 ↘ Series 101.5 101.5
Serie 2			1: 10.9x → 2: 10.1 ↙ 3: 9.9 ← 4: 10.4x ↙ 5: 10.9x ↗ 6: 9.8 ↙ 7: 10.7x ↙ 8: 9.7 → 9: 10.3x ↙ 10: 10.4x ↑ Series 103.1 204.6
Serie 3			1: 10.9x 2: 10.8x ↑ 3: 10.7x ↓ 4: 10.6x ↑ 5: 10.7x → 6: 10.3x ↓ 7: 10.0 ↗ 8: 10.2x ← 9: 10.4x ← 10: 10.4x ↘ Series 105.0 309.6
Serie 4			1: 10.2x ↓ 2: 10.5x ↙ 3: 10.4x → 4: 10.4x ↑ 5: 10.8x ↑ 6: 10.8x ← 7: 10.4x ↑ 8: 10.1 ↘ 9: 10.6x ↓ 10: 10.0 ↗ Series 104.2 413.8
Serie 5			1: 10.1 → 2: 10.1 ↙ 3: 10.5x ↙ 4: 10.0 ↙ 5: 10.5x ← 6: 10.7x → 7: 10.5x ↙ 8: 10.1 → 9: 9.6 ↓ 10: 10.0 ← Series 102.1 515.9
Serie 6			1: 9.9 ↗ 2: 10.4x ↑ 3: 10.5x ← 4: 10.2x ↘ 5: 9.1 → 6: 10.6x ↙ 7: 10.2x ↓ 8: 10.3x ↗ 9: 10.7x ← 10: 10.8x ↑ Series 102.7 618.6



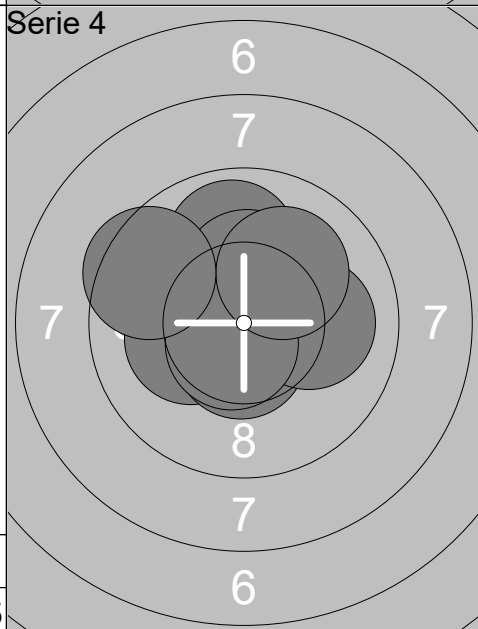
1:	8.0	↑
2:	10.3x	↑
3:	9.5	↖
4:	10.1	↑
5:	9.9	←
6:	9.4	↑
7:	9.1	↗
8:	10.2x	↗
9:	9.8	↑
10:	10.2x	↗
Series	96.5	
	96.5	



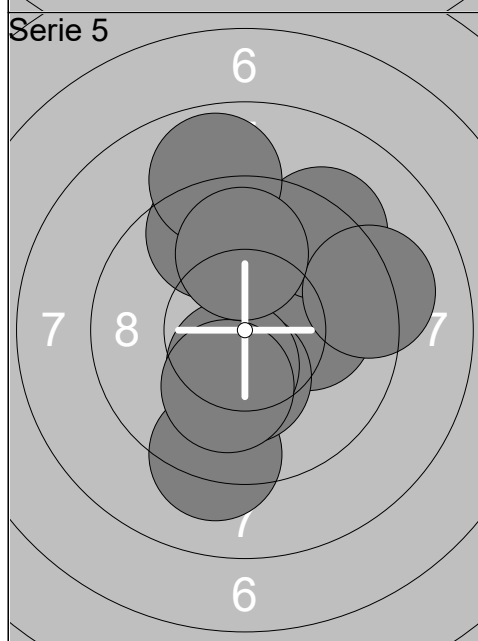
1:	10.6x	↗
2:	10.4x	↖
3:	10.2x	↖
4:	9.9	→
5:	9.5	↑
6:	10.3x	↘
7:	10.5x	↘
8:	9.7	↑
9:	10.1	↘
10:	10.7x	↖
Series	101.9	
	198.4	



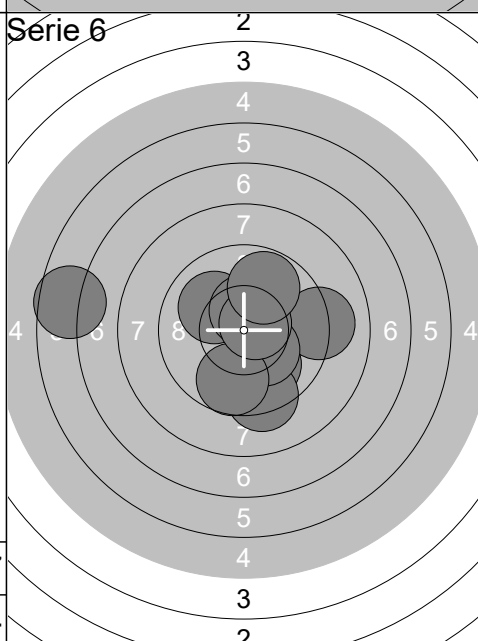
1:	9.7	↑
2:	9.5	→
3:	9.5	↘
4:	9.9	↘
5:	9.8	↖
6:	9.3	↗
7:	9.7	←
8:	9.7	↑
9:	9.7	←
10:	10.3x	→
Series	97.1	
	295.5	



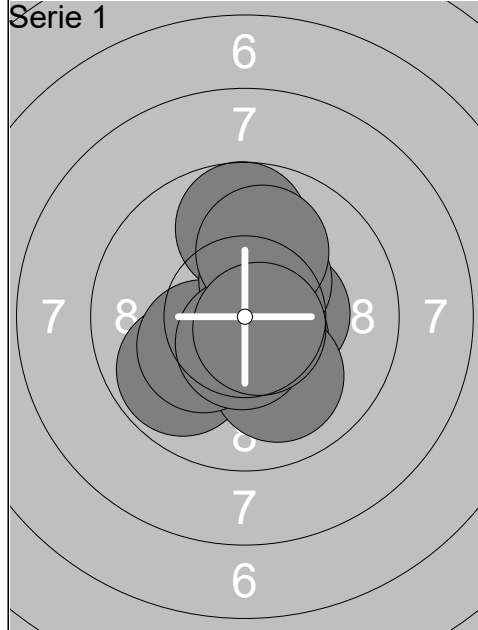
1:	10.2x	←
2:	10.4x	↖
3:	9.9	↑
4:	10.6x	↗
5:	10.3x	↑
6:	10.5x	↘
7:	10.1	→
8:	10.6x	↘
9:	10.1	↗
10:	9.5	←
Series	102.2	
	397.7	



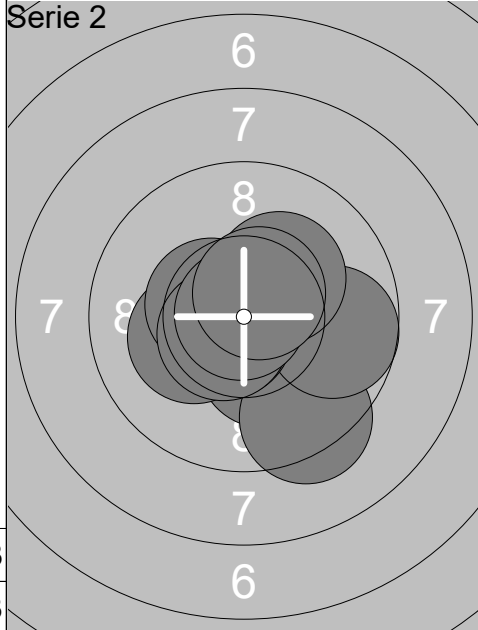
1:	9.5	↑
2:	9.2	↘
3:	10.1	→
4:	9.2	↗
5:	8.9	↑
6:	10.3x	↘
7:	10.4x	↘
8:	9.1	→
9:	10.1	↘
10:	9.9	↑
Series	96.7	
	494.4	



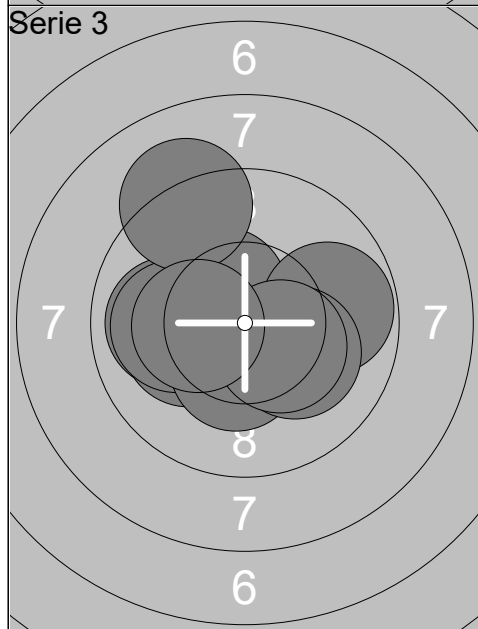
1:	9.9	↘
2:	9.1	→
3:	9.3	↘
4:	10.0	↖
5:	10.3x	↘
6:	10.4x	↑
7:	9.7	↘
8:	10.6x	↗
9:	9.8	↑
10:	6.6	←
Series	95.7	
	590.1	



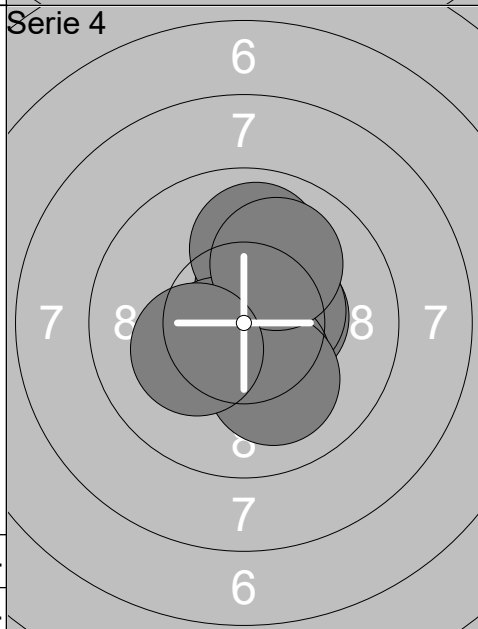
1:	10.4x →
2:	9.8 ↙
3:	10.5x ↘
4:	10.0 ↘
5:	10.2x ↙
6:	9.7 ↑
7:	10.4x ↗
8:	10.6x ↓
9:	10.0 ↑
10:	10.7x ↘
Series	102.3
	102.3



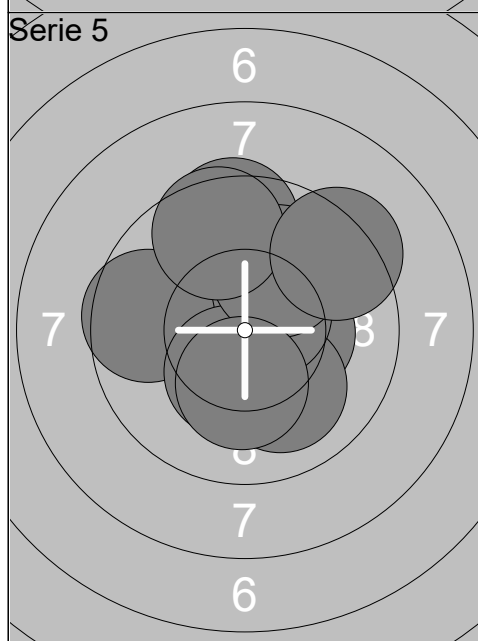
1:	10.3x ↘
2:	9.3 ↘
3:	9.7 →
4:	10.2x ↙
5:	10.5x ↙
6:	10.6x ↙
7:	10.5x ↙
8:	10.2x ↗
9:	10.9x ↖
10:	10.5x ↗
Series	102.7
	205.0



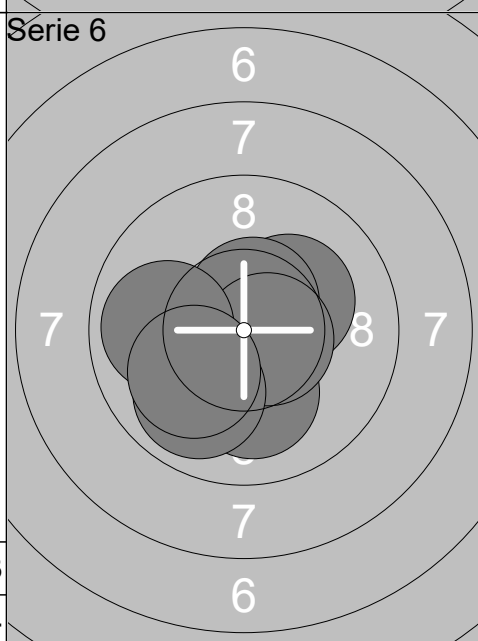
1:	10.4x ↖
2:	9.8 →
3:	9.9 ←
4:	10.1 ←
5:	10.0 ←
6:	10.3x ↓
7:	10.2x ↘
8:	10.3x ↘
9:	9.1 ↗
10:	10.3x ←
Series	100.4
	305.4



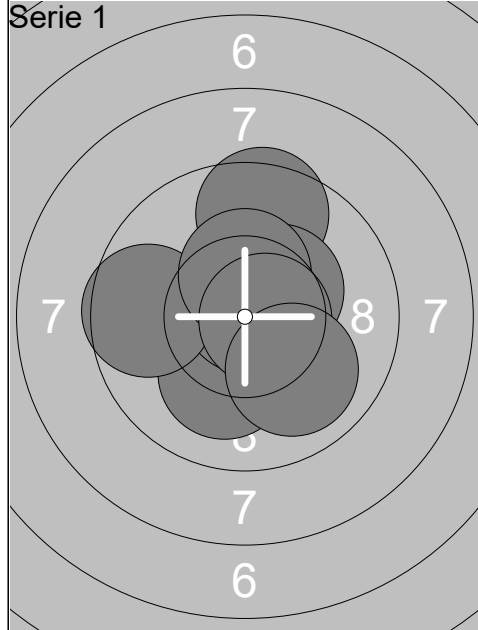
1:	10.5x ↙
2:	10.4x ↗
3:	9.9 ↑
4:	10.4x →
5:	10.4x →
6:	10.5x ↙
7:	10.3x ↘
8:	10.1 ↓
9:	10.0 ↗
10:	10.2x ↙
Series	102.7
	408.1



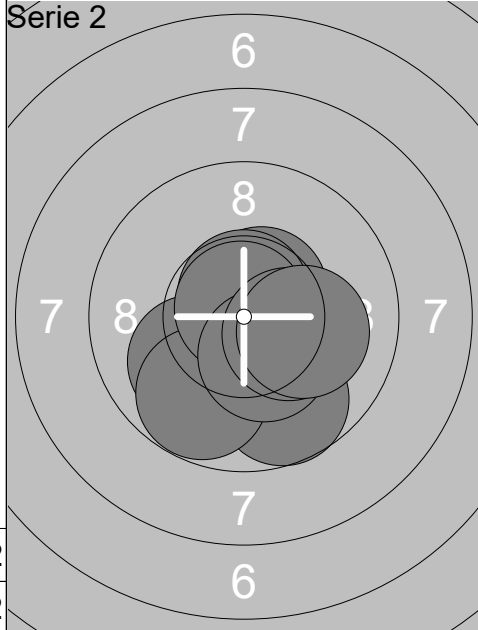
1:	10.3x →
2:	10.0 ↘
3:	10.5x ↗
4:	9.5 ↑
5:	9.6 ←
6:	10.4x ↓
7:	10.0 ↗
8:	9.5 ↑
9:	10.2x ↓
10:	9.3 ↗
Series	99.3
	507.4



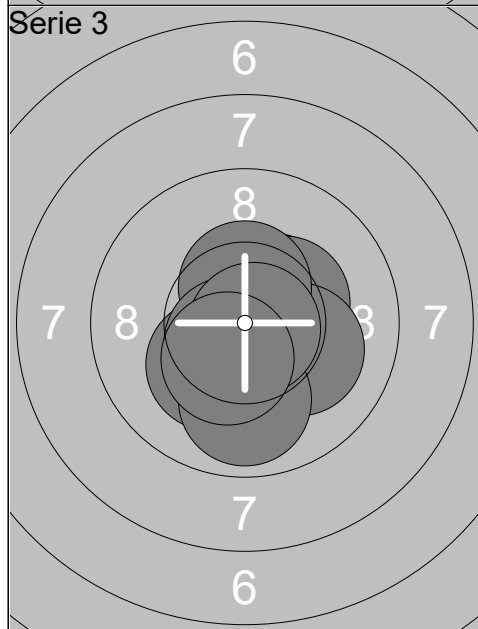
1:	10.4x ↗
2:	10.4x ↓
3:	10.2x ↗
4:	10.5x ↑
5:	10.1 ↓
6:	10.3x ↙
7:	10.6x →
8:	9.9 ↙
9:	9.9 ←
10:	10.0 ↙
Series	102.3
	609.7



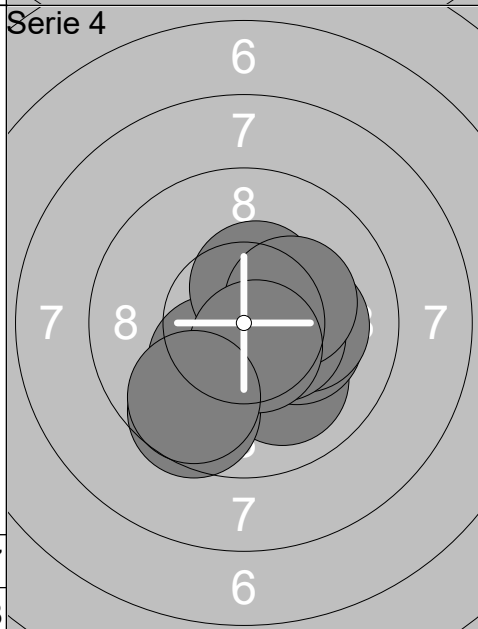
1:	10.4x ↙
2:	9.5 ↑
3:	10.1 ↓
4:	10.8x ↑
5:	10.5x ↗
6:	9.6 ←
7:	10.4x ↗
8:	10.4x ↑
9:	10.6x →
10:	9.9 ↓
Series	102.2
	102.2



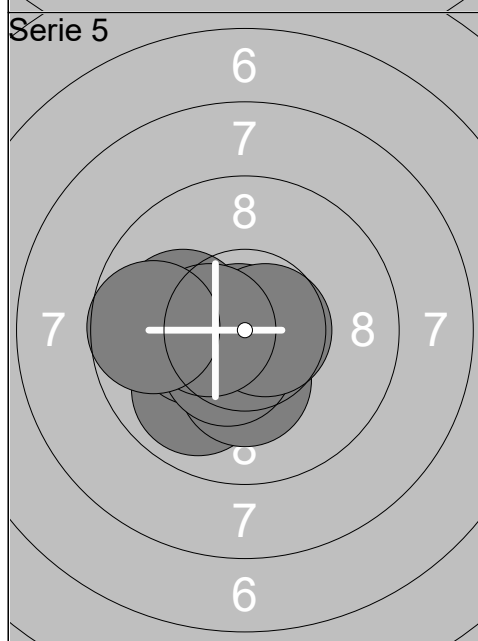
1:	9.7 ↓
2:	10.0 ↙
3:	10.8x ⇒
4:	10.5x ↗
5:	9.7 ↓
6:	10.7x ↑
7:	10.8x ↑
8:	10.3x ↓
9:	10.3x ⇒
10:	10.1 ⇒
Series	102.9
	205.1



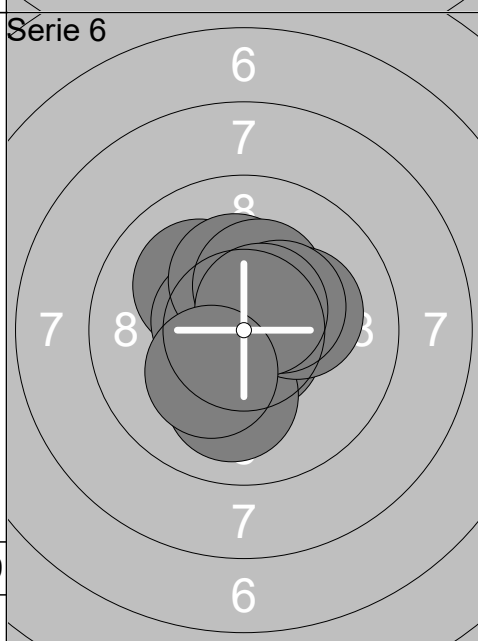
1:	10.2x ↙
2:	10.5x ↓
3:	10.5x ↗
4:	10.3x ↗
5:	10.1 ⇒
6:	10.4x ↑
7:	10.6x ↙
8:	9.9 ↓
9:	10.8x ⇒
10:	10.4x ↓
Series	103.7
	308.8



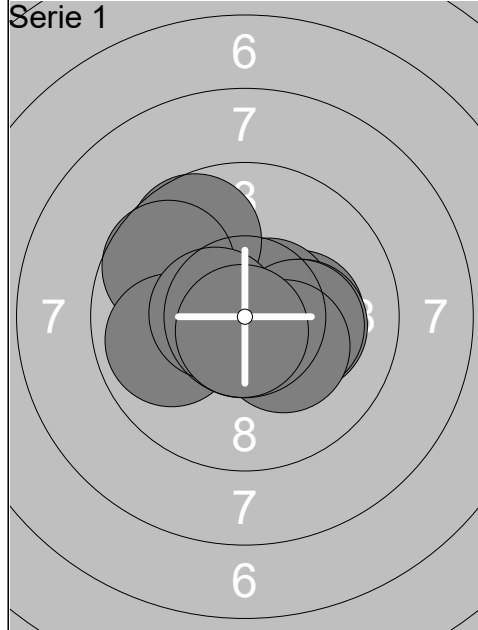
1:	10.0 ↓
2:	10.2x ⇒
3:	10.3x ↙
4:	10.1 →
5:	10.4x ⇒
6:	10.4x ↑
7:	10.2x ⇒
8:	9.5 ↓
9:	10.6x ↓
10:	9.7 ↓
Series	101.4
	410.2



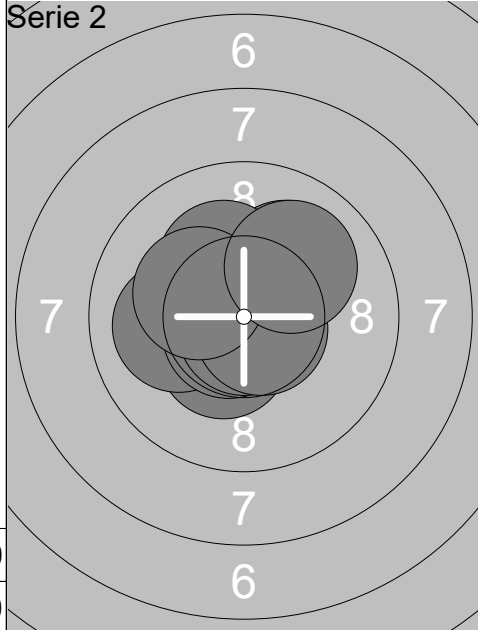
1:	9.9 ↓
2:	10.3x ←
3:	10.9x ←
4:	10.2x ↓
5:	10.5x ↓
6:	10.7x →
7:	10.1 ←
8:	10.1 ←
9:	10.5x ←
10:	9.7 ←
Series	102.9
	513.1



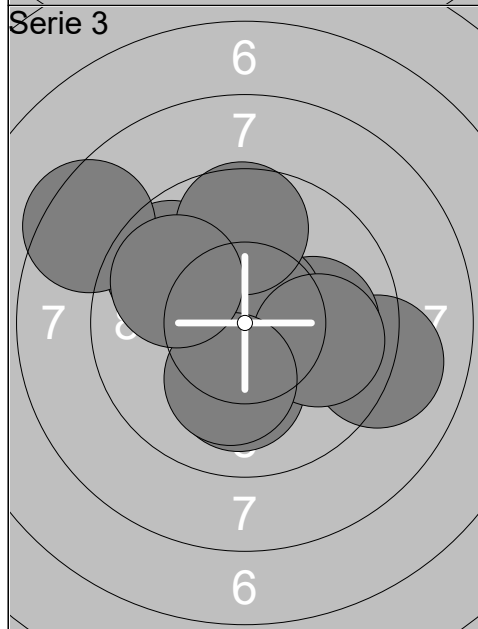
1:	10.7x ↓
2:	10.1 ↖
3:	10.0 ↓
4:	10.6x ←
5:	10.2x ↑
6:	10.3x ↑
7:	10.2x ⇒
8:	10.3x ↗
9:	10.6x ↗
10:	10.2x ↙
Series	103.2
	616.3



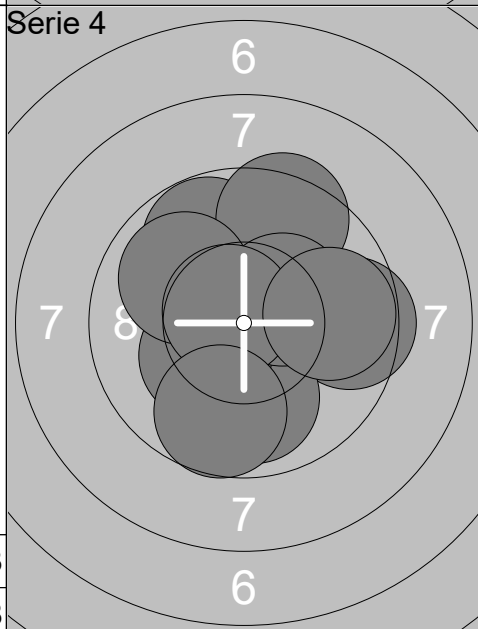
1:	10.2x →
2:	10.6x →
3:	9.7 ↗
4:	10.2x →
5:	10.2x →
6:	9.7 ↗
7:	9.9 ←
8:	10.3x ↘
9:	10.5x ←
10:	10.7x ↓
Series	102.0
	102.0



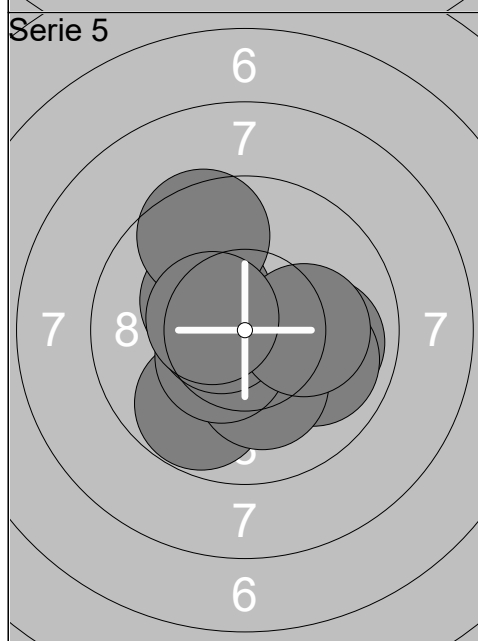
1:	10.4x ↘
2:	10.5x ↖
3:	10.0 ↗
4:	10.0 ←
5:	10.7x ↘
6:	10.8x ↓
7:	10.2x ↗
8:	10.7x →
9:	10.2x ↖
10:	10.0 ↗
Series	103.5
	205.5



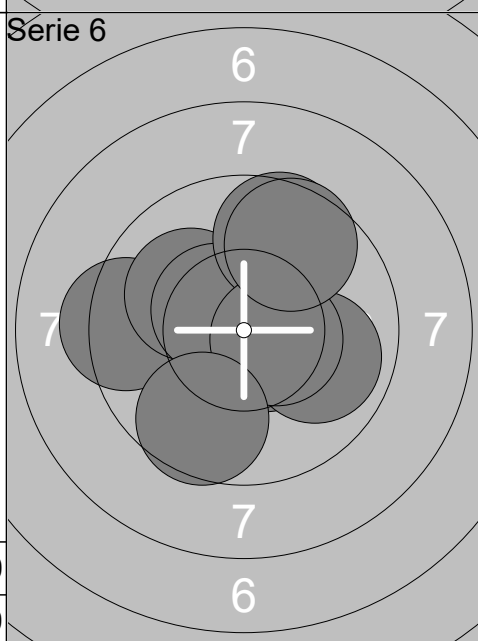
1:	9.1 →
2:	10.0 →
3:	10.1 ↓
4:	9.7 ↖
5:	10.6x ↗
6:	9.9 →
7:	10.1 ↓
8:	9.6 ↑
9:	8.4 ↖
10:	9.8 ↖
Series	97.3
	302.8



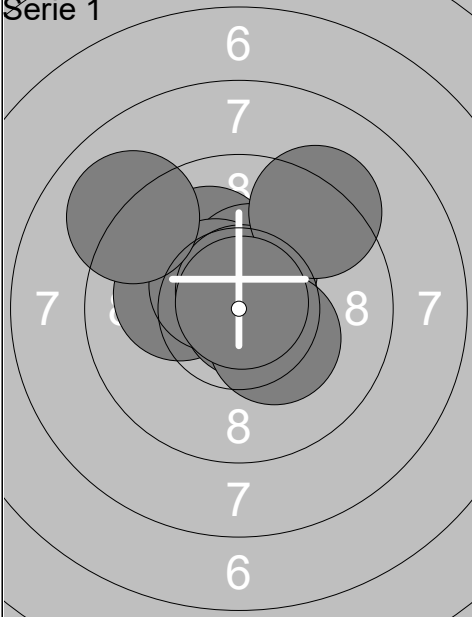
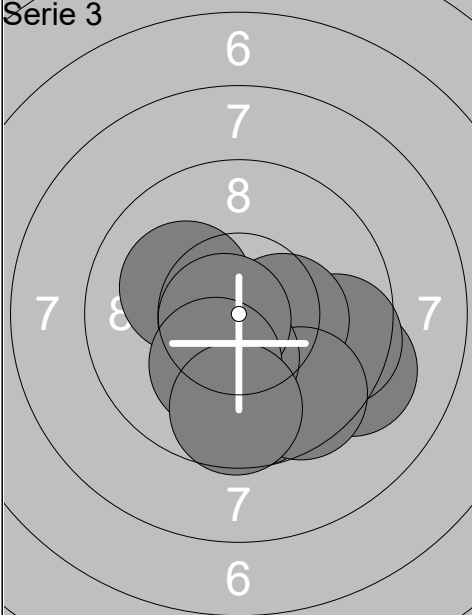
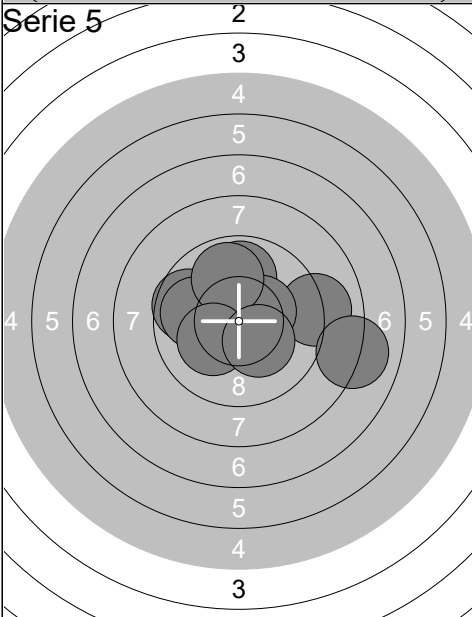
1:	9.5 →
2:	9.7 ↗
3:	9.4 ↗
4:	9.9 ↓
5:	10.2x ↘
6:	9.9 ↖
7:	10.3x ↗
8:	10.7x ↖
9:	9.7 ↓
10:	9.8 →
Series	99.1
	401.9



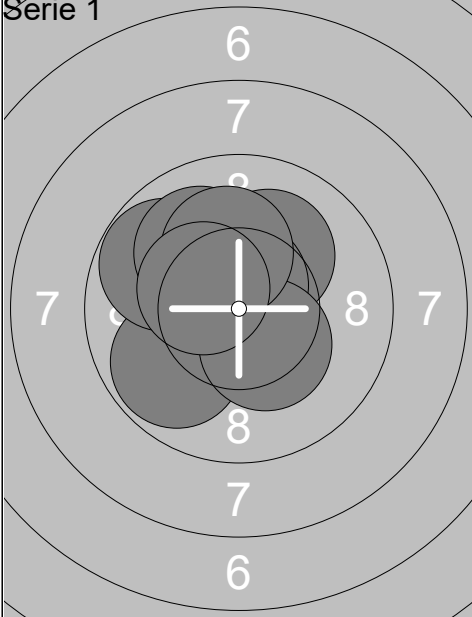
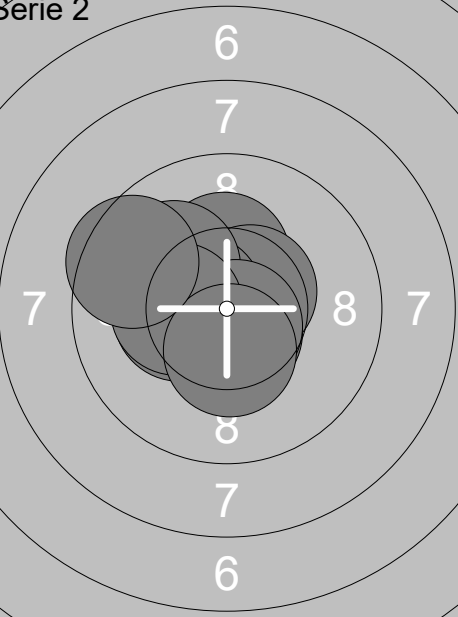
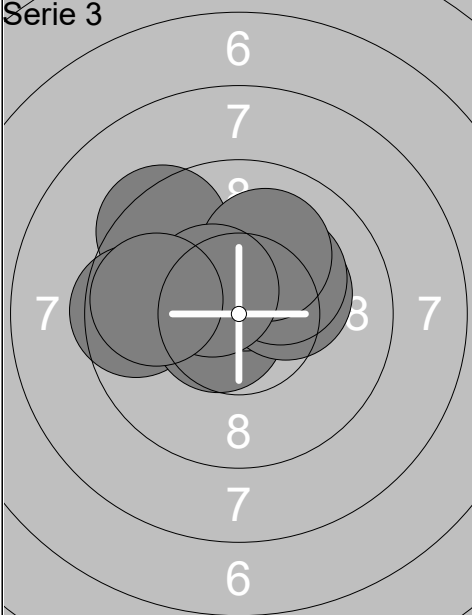
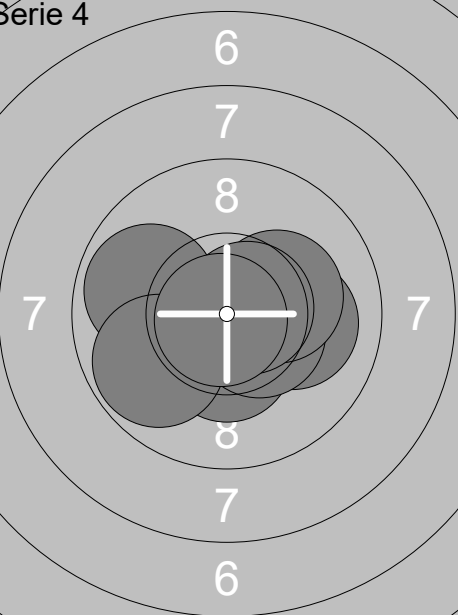
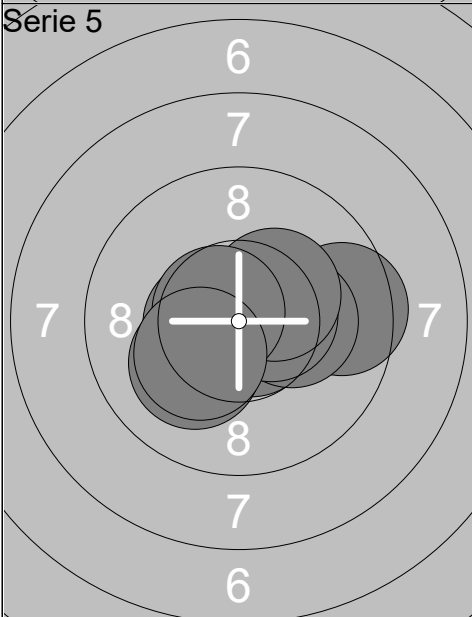
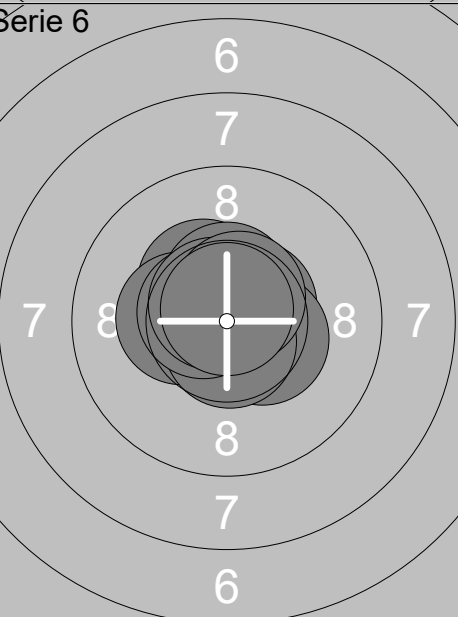
1:	10.2x ↖
2:	9.8 ↓
3:	9.9 →
4:	9.9 →
5:	10.2x ↓
6:	9.5 ↗
7:	10.4x ↘
8:	10.6x ←
9:	10.1 →
10:	10.4x ↖
Series	101.0
	502.9



1:	9.3 ←
2:	10.1 ↖
3:	10.7x ↗
4:	10.6x ↘
5:	9.9 →
6:	10.5x ↖
7:	9.6 ↗
8:	10.4x →
9:	9.6 ↗
10:	9.6 ↓
Series	100.3
	603.2

Relay	Lane	Rikke Bertelsen	
Gundsøllille Megalink OPE	Viborg Skytte Forening	WJ	
18.01.2020	GMO2020 Day 2	Gundsøllille OPEN 2020	
Serie 1		1: 10.1 ↗ 2: 10.1 ← 3: 10.8x → 4: 10.4x ↗ 5: 10.5x ↗ 6: 10.7x ↗ 7: 9.2 ↗ 8: 10.3x ↘ 9: 9.0 ↖ 10: 10.8x ↗ Series 101.9 101.9	2 3 4 5 6 7 8 7 6 5 4 3 2 1: 9.7 ↗ 2: 9.7 ↗ 3: 9.4 ← 4: 9.1 ↗ 5: 9.1 ← 6: 8.6 → 7: 9.8 ↗ 8: 9.4 ↗ 9: 10.3x ← 10: 8.9 ↘ Series 94.0 195.9
Serie 3		1: 9.2 → 2: 9.7 ↓ 3: 9.5 → 4: 10.3x → 5: 9.6 ↓ 6: 10.3x ↓ 7: 10.1 ← 8: 10.7x ← 9: 10.2x ↓ 10: 9.7 ↓ Series 99.3 295.2	6 7 8 7 6 5 4 3 2 1: 10.2x ↓ 2: 9.0 ← 3: 10.7x → 4: 10.6x ↗ 5: 9.8 ↓ 6: 9.6 → 7: 9.7 ↗ 8: 10.2x ↗ 9: 10.7x → 10: 8.8 ← Series 99.3 394.5
Serie 5		2 3 4 5 6 7 8 7 6 5 4 3 2 1: 9.0 → 2: 9.8 ↗ 3: 10.3x ← 4: 10.3x → 5: 9.6 ← 6: 9.9 ← 7: 8.0 → 8: 9.8 ↗ 9: 10.2x ← 10: 10.3x ↘ Series 97.2 491.7	2 3 4 5 6 7 8 7 6 5 4 3 2 1: 9.5 ↗ 2: 10.5x ← 3: 10.2x ↘ 4: 8.5 ← 5: 9.4 → 6: 8.4 ↗ 7: 9.9 ↓ 8: 10.5x ↓ 9: 10.4x → 10: 9.3 → Series 96.6 588.3

Relay	Lane	Katrine Christensen	
3	21	Gundsøllille Megalink OPE	Ballerup skytteforening
18.01.2020		GMO2020 Day 2	Gundsøllille OPEN 2020
Serie 1		1: 10.0 → 2: 10.2x → 3: 10.6x ↓ 4: 10.8x ↖ 5: 9.8 ← 6: 9.7 → 7: 10.6x → 8: 10.4x ↗ 9: 9.7 ↖ 10: 10.0 ↑ Series 101.8 101.8	Serie 2 1: 10.6x → 2: 10.5x ← 3: 9.8 ↓ 4: 10.4x ↑ 5: 9.4 ← 6: 10.6x ↘ 7: 9.2 ← 8: 10.8x → 9: 10.1 ← 10: 10.0 ↓ Series 101.4 203.2
Serie 3		1: 10.4x ← 2: 10.7x ← 3: 9.9 ↑ 4: 10.0 → 5: 9.2 ← 6: 9.9 ← 7: 10.1 ↗ 8: 9.8 ← 9: 10.5x ↘ 10: 10.4x → Series 100.9 304.1	Serie 4 1: 10.6x → 2: 10.1 → 3: 9.7 ↗ 4: 10.6x → 5: 10.2x ↖ 6: 10.5x ↖ 7: 9.7 ↗ 8: 10.3x ← 9: 10.3x ↘ 10: 9.7 ↗ Series 101.7 405.8
Serie 5		1: 10.0 → 2: 9.1 → 3: 9.8 ← 4: 10.7x ↓ 5: 10.5x ↗ 6: 10.1 ↖ 7: 10.6x ↘ 8: 10.2x ↗ 9: 10.7x → 10: 9.9 ← Series 101.6 507.4	Serie 6 1: 10.1 ↓ 2: 10.6x ↘ 3: 9.5 ↓ 4: 9.9 ← 5: 8.9 ↖ 6: 10.7x ↗ 7: 10.3x ↖ 8: 10.7x ↘ 9: 10.6x ↗ 10: 10.8x → Series 102.1 609.5

Relay	Lane	Sara Alexis	
3	22	Gundsøllille Megalink OPE	Trehøje Skytteforening
18.01.2020		GMO2020 Day 2	Gundsøllille OPEN 2020
Serie 1			1: 10.1 ↗ 2: 10.7x ↓ 3: 10.7x ↖ 4: 9.8 ↙ 5: 10.6x ↑ 6: 9.8 ↖ 7: 10.3x ↓ 8: 10.0 ↗ 9: 10.2x ↑ 10: 10.4x ↖ Series 102.6 102.6
Serie 2			1: 10.3x ↑ 2: 10.5x ↗ 3: 10.5x ↖ 4: 10.3x ↖ 5: 10.6x ↓ 6: 10.0 ↖ 7: 10.7x ↓ 8: 10.3x ↖ 9: 10.4x ↓ 10: 9.5 ↖ Series 103.1 205.7
Serie 3			1: 9.4 ↖ 2: 9.5 ↖ 3: 10.8x ↖ 4: 10.6x ↖ 5: 10.5x ↑ 6: 10.2x ↗ 7: 10.2x ↗ 8: 10.0 ↗ 9: 10.5x ↖ 10: 9.8 ↖ Series 101.5 307.2
Serie 4			1: 10.6x ↓ 2: 10.4x ↓ 3: 9.8 ↖ 4: 10.3x → 5: 10.0 → 6: 10.4x → 7: 10.2x → 8: 9.8 ↖ 9: 10.6x → 10: 10.8x ↖ Series 102.9 410.1
Serie 5			1: 10.5x ↖ 2: 10.7x ↖ 3: 10.3x → 4: 10.1 ↙ 5: 9.5 → 6: 10.2x → 7: 10.5x → 8: 10.3x ↗ 9: 10.6x ↖ 10: 10.3x ↖ Series 103.0 513.1
Serie 6			1: 10.5x ↗ 2: 10.4x → 3: 10.3x ↖ 4: 10.3x ↖ 5: 10.7x ↓ 6: 10.6x ↖ 7: 10.5x ↑ 8: 10.6x ↖ 9: 10.6x ↗ 10: 10.8x ↑ Series 105.3 618.4