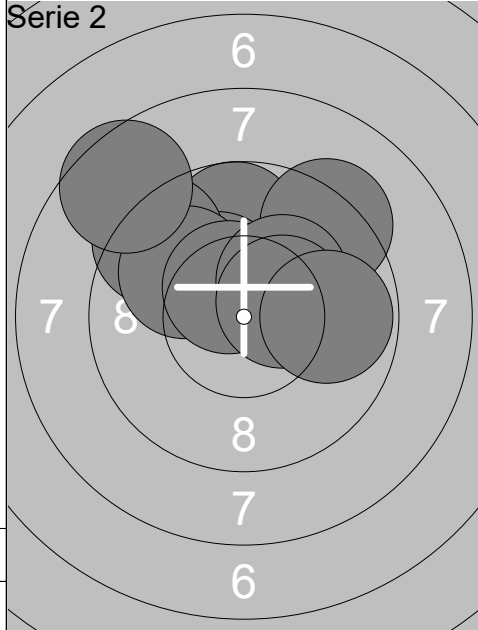
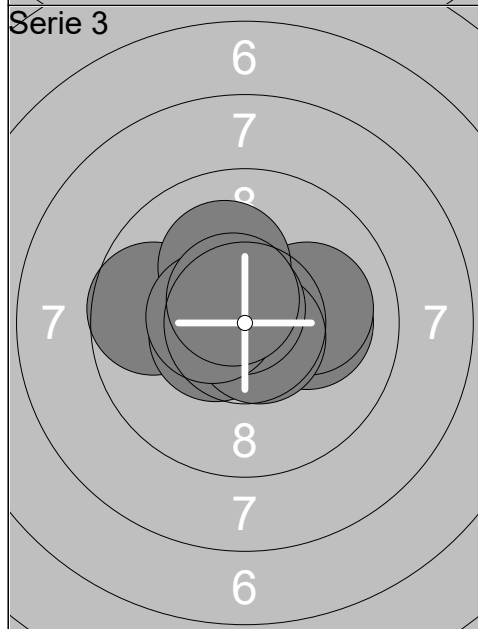


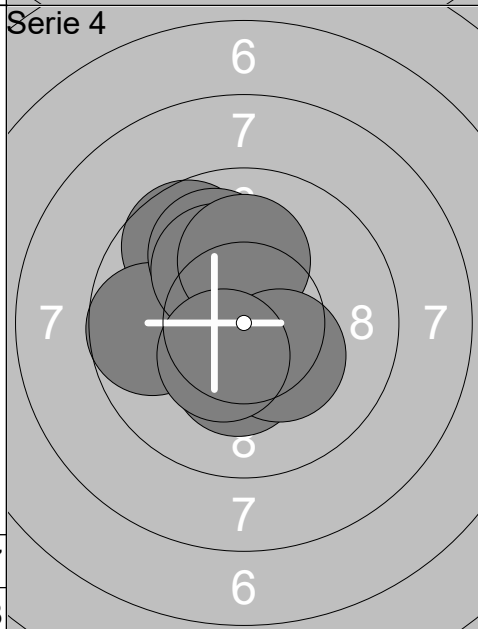
1:	10.1	↗
2:	9.6	↗
3:	9.2	↑
4:	9.4	↗
5:	8.6	←
6:	10.5x	←
7:	10.0	↗
8:	10.2x	↘
9:	9.7	←
10:	10.8x	↑
Series	98.1	
	98.1	



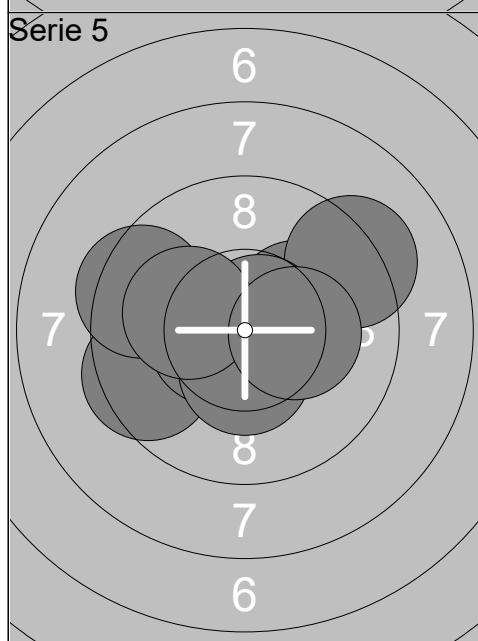
1:	9.7	↑
2:	10.3x	↗
3:	9.4	↖
4:	9.9	↖
5:	9.3	↗
6:	10.5x	↖
7:	10.2x	↗
8:	10.4x	→
9:	9.8	→
10:	8.5	↖
Series	98.0	
	196.1	



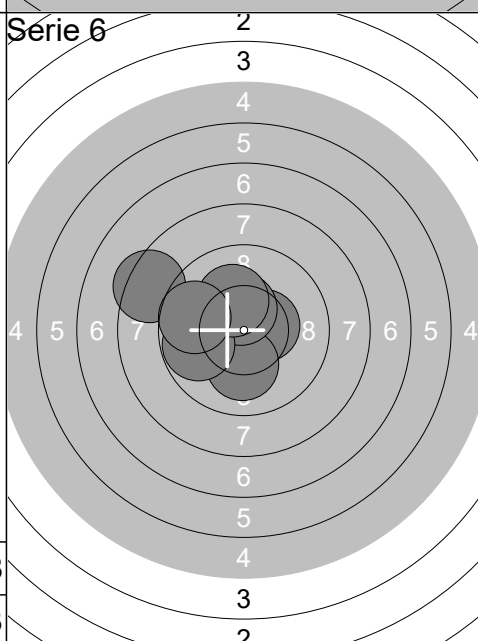
1:	9.7	←
2:	10.8x	→
3:	10.1	→
4:	10.1	→
5:	10.5x	←
6:	10.6x	↘
7:	10.1	↑
8:	10.7x	↖
9:	10.5x	←
10:	10.6x	↖
Series	103.7	
	299.8	



1:	10.3x	↖
2:	10.0	←
3:	9.6	↖
4:	9.7	←
5:	9.9	↑
6:	10.1	↖
7:	10.1	↑
8:	10.3x	↓
9:	10.3x	↘
10:	10.4x	↘
Series	100.7	
	400.5	

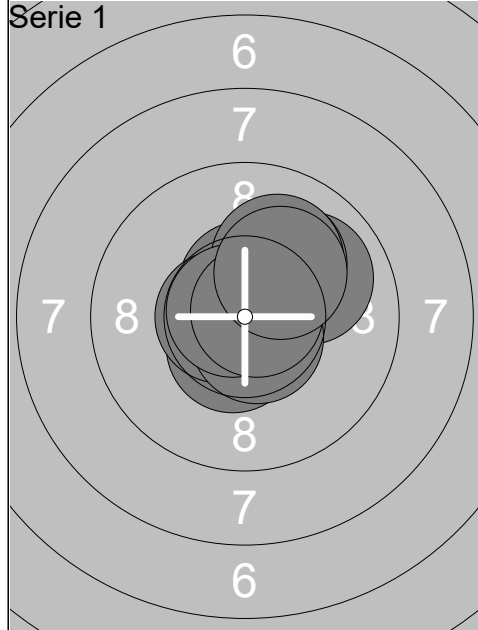


1:	10.1	↗
2:	9.2	↗
3:	9.5	←
4:	10.6x	↓
5:	9.4	←
6:	10.5x	←
7:	10.7x	↗
8:	10.4x	↓
9:	10.1	←
10:	10.3x	→
Series	100.8	
	501.3	

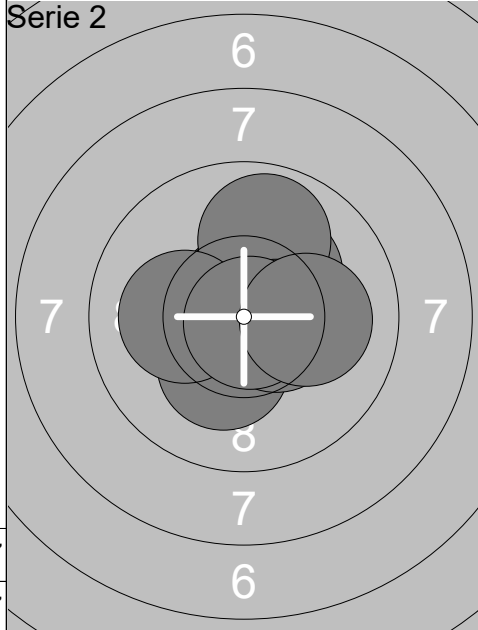


1:	10.4x	↖
2:	8.4	←
3:	10.6x	↑
4:	10.7x	←
5:	10.4x	→
6:	10.1	↓
7:	10.4x	↑
8:	9.7	←
9:	10.2x	↖
10:	9.7	←
Series	100.6	
	601.9	

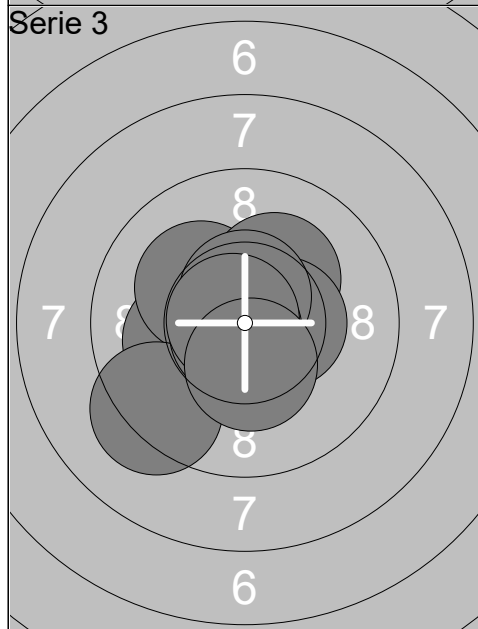
Relay	Lane	Nickolai Malte Kristensen	
Gundsøllille Megalink OPE	15	Århus Riffelskytte Klub	M
18.01.2020	GMO2020 Day 2	Gundsøllille OPEN 2020	
Serie 1	1: 9.7 ↗ 2: 9.7 ↗ 3: 10.0 ← 4: 10.4x ↗ 5: 10.5x ↖ 6: 9.6 ↓ 7: 10.3x ↗ 8: 9.3 → 9: 10.7x ↗ 10: 9.2 ↗ Series 99.4 99.4	Serie 2	1: 9.7 ↗ 2: 10.1 → 3: 10.8x ↙ 4: 9.8 ↗ 5: 9.9 ↗ 6: 9.8 → 7: 10.4x ↙ 8: 9.5 ↖ 9: 9.6 ↓ 10: 10.7x ← Series 100.3 199.7
Serie 3	1: 10.6x ↗ 2: 10.3x → 3: 10.1 ← 4: 10.1 ↙ 5: 10.8x ↓ 6: 10.5x ↗ 7: 10.6x ↗ 8: 10.2x ↖ 9: 9.1 ↗ 10: 10.2x ← Series 102.5 302.2	Serie 4	1: 10.0 → 2: 10.4x ↙ 3: 10.7x ← 4: 9.7 ↗ 5: 9.9 ← 6: 10.3x ↗ 7: 10.1 → 8: 9.7 ↗ 9: 9.9 ← 10: 10.7x ↖ Series 101.4 403.6
Serie 5	1: 9.7 → 2: 10.5x ← 3: 10.1 → 4: 10.9x ↗ 5: 10.0 → 6: 10.6x ↖ 7: 10.4x ↖ 8: 10.4x ↘ 9: 10.8x ↗ 10: 10.4x ← Series 103.8 507.4	Serie 6	1: 8.7 → 2: 9.8 ↙ 3: 10.4x ↘ 4: 10.6x ↖ 5: 10.3x ↗ 6: 10.6x ↖ 7: 10.6x ↓ 8: 10.8x ↗ 9: 10.6x ↗ 10: 9.8 → Series 102.2 609.6



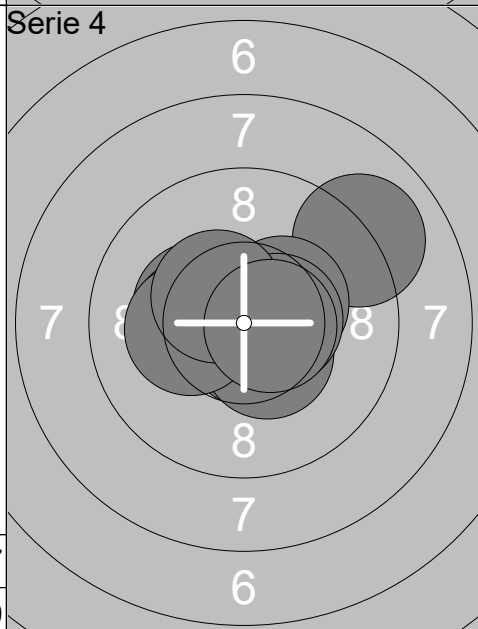
1:	10.5x ↘
2:	9.9 ↗
3:	10.5x ↑
4:	10.6x ←
5:	10.1 ↗
6:	10.0 ↗
7:	10.6x ↘
8:	10.7x ↙
9:	10.7x ↗
10:	10.1 ↗
Series	103.7
	103.7



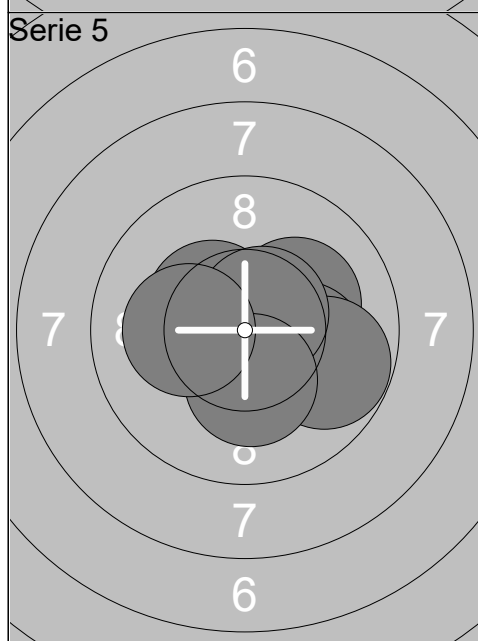
1:	10.3x ↗
2:	10.7x ↗
3:	10.2x ↗
4:	10.2x ↘
5:	10.7x ↑
6:	9.9 ↑
7:	10.5x →
8:	10.1 ←
9:	10.8x ↘
10:	10.1 →
Series	103.5
	207.2



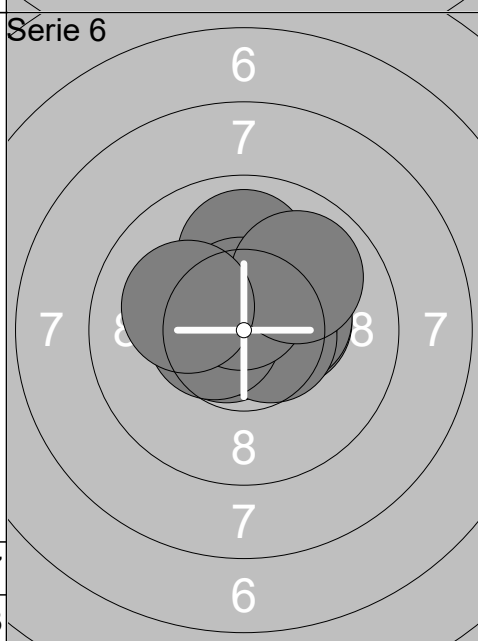
1:	10.1 ←
2:	10.2x ↙
3:	10.2x ↗
4:	10.9x ←
5:	9.3 ↘
6:	10.4x →
7:	10.6x ↑
8:	10.8x ↘
9:	10.8x ←
10:	10.4x ↘
Series	103.7
	310.9



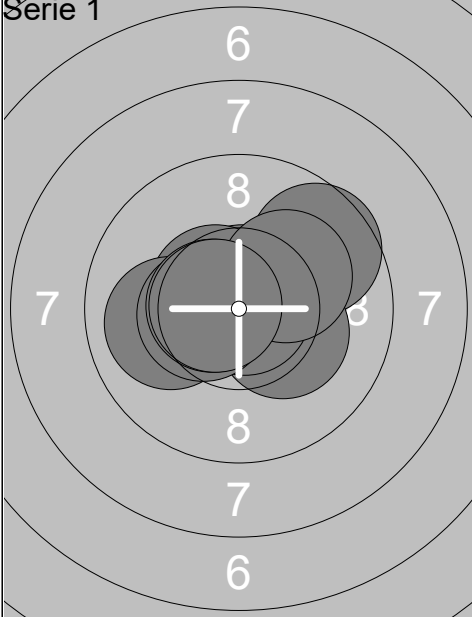
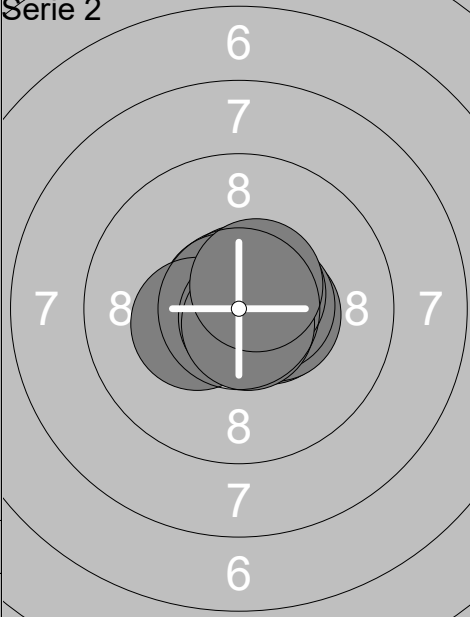
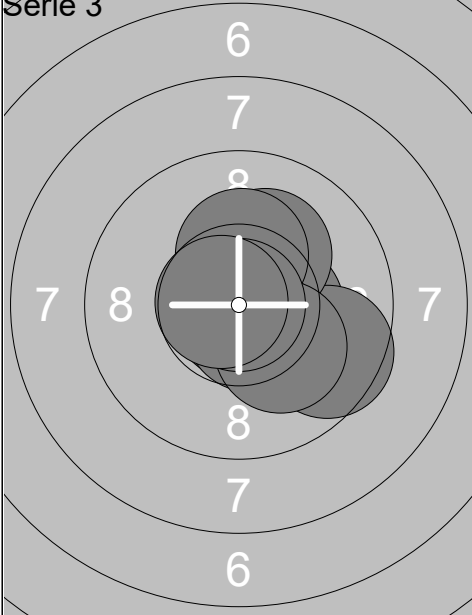
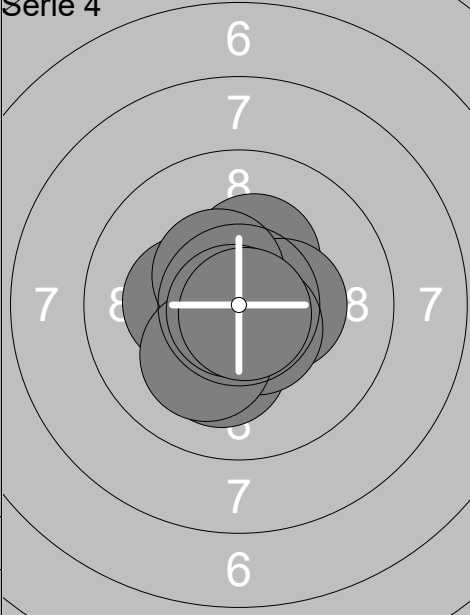
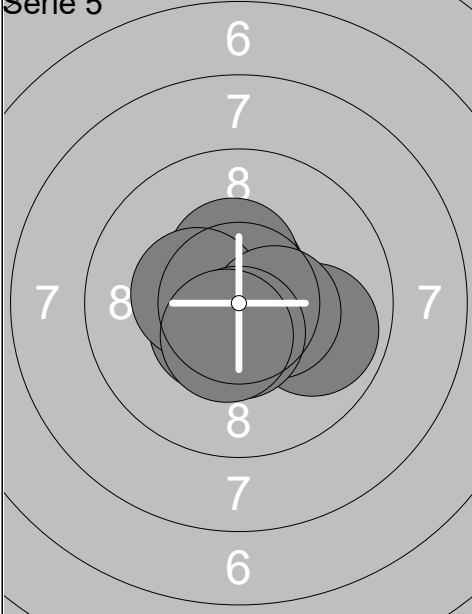
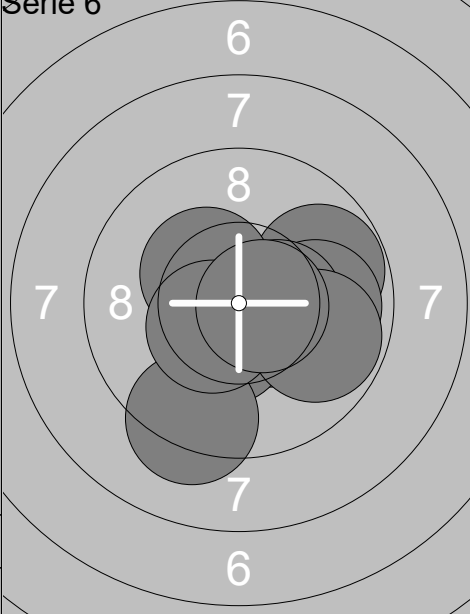
1:	10.7x ↘
2:	9.0 ↗
3:	10.3x ↗
4:	10.3x ←
5:	10.3x ←
6:	10.4x ↘
7:	10.2x ←
8:	10.5x →
9:	10.4x ↙
10:	10.6x →
Series	102.7
	413.6



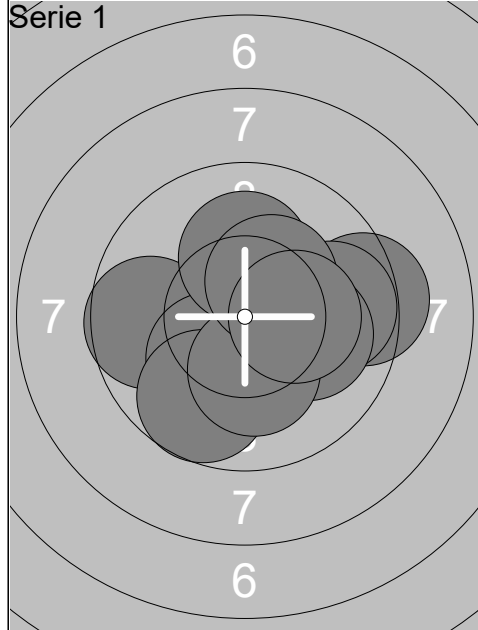
1:	10.7x ↗
2:	10.7x ↘
3:	10.2x ↗
4:	10.1 →
5:	10.4x ↙
6:	9.8 →
7:	10.8x ↘
8:	10.6x ↗
9:	10.2x ↘
10:	10.2x ←
Series	103.7
	517.3



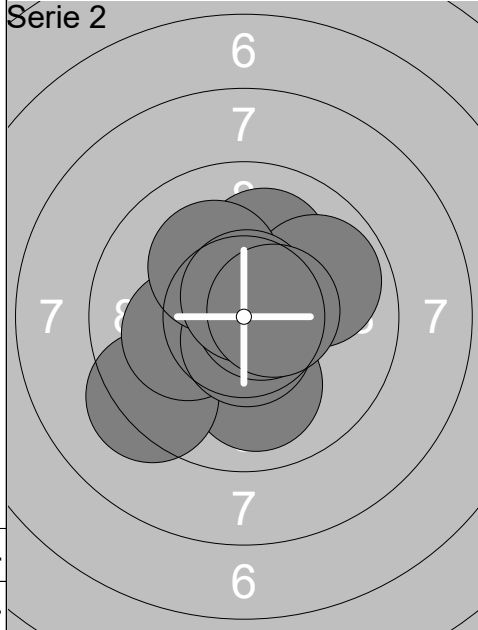
1:	9.9 ↑
2:	10.4x →
3:	10.7x ←
4:	10.3x →
5:	10.6x →
6:	10.6x →
7:	10.5x ←
8:	10.6x ↑
9:	9.9 ↗
10:	10.1 ←
Series	103.6
	620.9

Relay	Lane	Niels H. Overgaard	
1	17	Gundsøllille Megalink OPE	Trehøje Skytteforening
18.01.2020		GMO2020 Day 2	M
		Gundsøllille OPEN 2020	
Serie 1 	1: 10.7x ↑	Serie 2 	1: 10.7x ↑
	2: 9.6 ↗		2: 10.7x ↖
	3: 10.5x ↖		3: 10.5x ⇒
	4: 10.3x ⇒		4: 10.3x ⇐
	5: 10.8x →		5: 10.8x ↓
	6: 10.0 ←		6: 10.4x ⇒
	7: 10.2x ↗		7: 10.5x →
	8: 10.5x ⇐		8: 10.6x ↗
	9: 10.6x ⇐		9: 10.7x ↓
	10: 10.6x ⇐		10: 10.5x ↗
	Series 103.8		Series 105.7
	103.8		209.5
Serie 3 	1: 10.7x ↗	Serie 4 	1: 10.8x ↓
	2: 10.4x →		2: 10.3x ⇐
	3: 9.6 ⇒		3: 10.3x ↑
	4: 10.1 ↗		4: 10.4x →
	5: 10.8x ↓		5: 10.4x ↖
	6: 10.6x ↓		6: 10.1 ↓
	7: 10.2x ↑		7: 10.5x ↓
	8: 10.1 ↓		8: 10.1 ↓
	9: 10.9x		9: 10.8x ↖
	10: 10.7x ⇐		10: 10.8x ↓
	Series 104.1		Series 104.5
	313.6		418.1
Serie 5 	1: 9.9 ⇒	Serie 6 	1: 9.8 ↗
	2: 10.6x ↖		2: 10.5x ⇒
	3: 10.9x ⇐		3: 9.9 →
	4: 10.5x ↖		4: 10.4x ↓
	5: 10.6x ↑		5: 10.4x ↖
	6: 10.4x ↑		6: 9.2 ↓
	7: 10.4x ⇐		7: 10.4x →
	8: 10.4x →		8: 9.8 ⇒
	9: 10.5x ↓		9: 10.4x ↖
	10: 10.5x ↓		10: 10.6x →
	Series 104.7		Series 101.4
	522.8		624.2

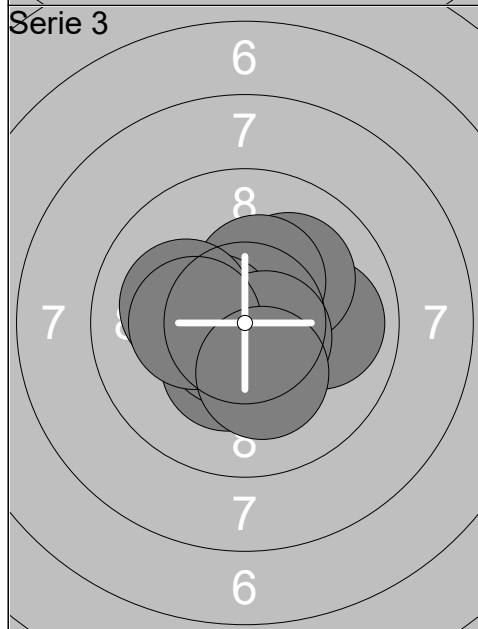
Relay	Lane	Lars Ørum	
Gundsøllille Megalink OPE	Aalborg Skyttekreds	M	
18.01.2020	GMO2020 Day 2	Gundsøllille OPEN 2020	
Serie 1	1: 10.3x → 2: 10.0 ↑ 3: 10.9x → 4: 9.9 ↓ 5: 10.2x → 6: 10.6x ↗ 7: 10.8x ↑ 8: 10.7x → 9: 10.5x ↓ 10: 10.2x ↓ Series 104.1 104.1	Serie 2	1: 10.7x ↓ 2: 10.7x ↓ 3: 9.9 ↓ 4: 10.6x ↗ 5: 10.2x ↓ 6: 10.7x ↓ 7: 10.2x ← 8: 10.4x ↖ 9: 10.8x → 10: 10.0 ← Series 104.2 208.3
Serie 3	1: 9.3 ↑ 2: 10.0 ↓ 3: 10.4x ↓ 4: 9.6 ↓ 5: 9.8 → 6: 10.3x ↓ 7: 10.9x ↑ 8: 9.7 ← 9: 10.8x ← 10: 10.4x ↓ Series 101.2 309.5	Serie 4	1: 10.7x ↙ 2: 10.6x ↓ 3: 10.2x → 4: 9.7 ↓ 5: 9.8 ↓ 6: 10.4x → 7: 9.7 ← 8: 10.5x ↗ 9: 10.2x ↓ 10: 9.5 ← Series 101.3 410.8
Serie 5	1: 10.0 → 2: 9.9 ↑ 3: 10.5x ← 4: 10.4x → 5: 10.1 ↖ 6: 10.5x ↗ 7: 10.6x ↗ 8: 10.1 ↖ 9: 10.7x ↗ 10: 10.5x ↑ Series 103.3 514.1	Serie 6	1: 9.5 ↓ 2: 10.0 ← 3: 10.7x ↖ 4: 10.2x ↓ 5: 10.6x ↑ 6: 10.4x ↓ 7: 10.3x → 8: 9.9 ↓ 9: 10.0 ↙ 10: 9.9 ↓ Series 101.5 615.6



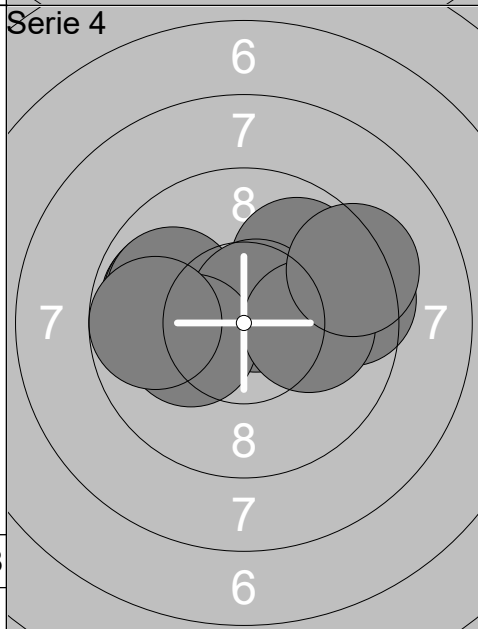
1:	9.6	←
2:	9.3	→
3:	9.8	→
4:	10.0	→
5:	10.2x	↙
6:	10.1	↑
7:	9.7	↘
8:	10.2x	↘
9:	10.3x	↗
10:	10.2x	→
Series	99.4	
	99.4	



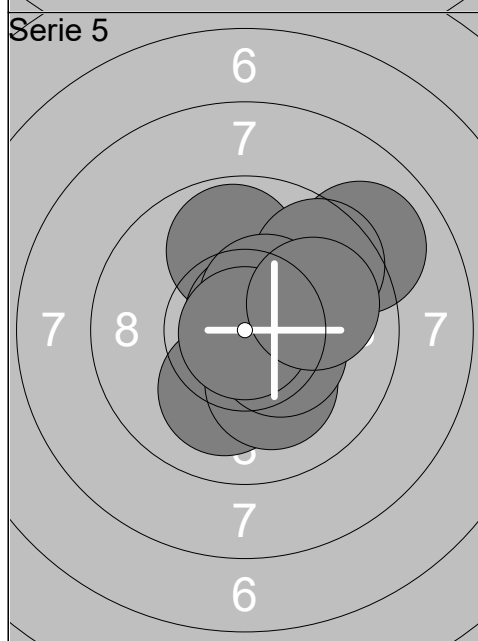
1:	10.0	↓
2:	9.3	↙
3:	10.0	↑
4:	9.9	↗
5:	10.1	←
6:	10.6x	↓
7:	10.7x	→
8:	10.1	↖
9:	10.7x	↑
10:	10.5x	→
Series	101.9	
	201.3	



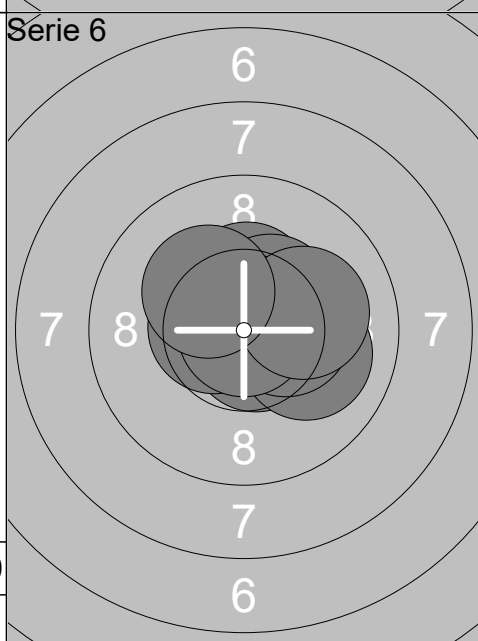
1:	10.3x	↘
2:	9.9	→
3:	10.1	↗
4:	10.3x	↑
5:	10.6x	↙
6:	10.5x	←
7:	10.6x	↘
8:	10.1	←
9:	10.2x	←
10:	10.2x	↘
Series	102.8	
	304.1	



1:	9.9	←
2:	9.9	←
3:	9.5	→
4:	9.9	←
5:	9.9	↗
6:	10.6x	↗
7:	10.2x	←
8:	10.1	→
9:	9.3	↗
10:	9.7	←
Series	99.0	
	403.1	



1:	9.0	↗
2:	9.8	↑
3:	10.1	↘
4:	10.1	↘
5:	10.7x	↗
6:	9.6	↗
7:	10.4x	↘
8:	10.4x	↗
9:	10.9x	↘
10:	10.0	↗
Series	101.0	
	504.1	

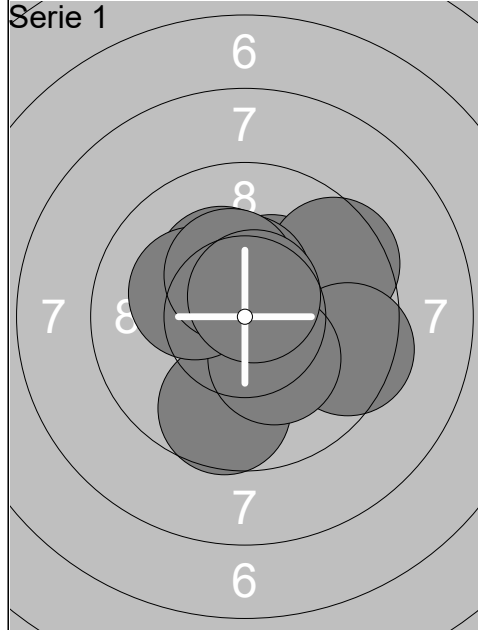


1:	10.7x	↘
2:	10.0	↘
3:	10.4x	→
4:	10.4x	↑
5:	10.4x	↗
6:	10.7x	↑
7:	10.5x	←
8:	10.9x	
9:	10.1	→
10:	10.2x	↖
Series	104.3	
	608.4	

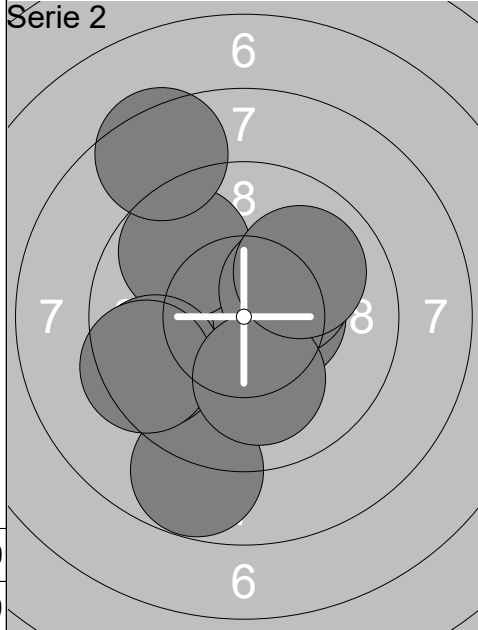
Relay 1	Lane 20	Jens Frimand	
-------------------	-------------------	---------------------	--

Gundsøllille Megalink OPE	Nykøbing Falster Skf	M	
---------------------------	----------------------	---	--

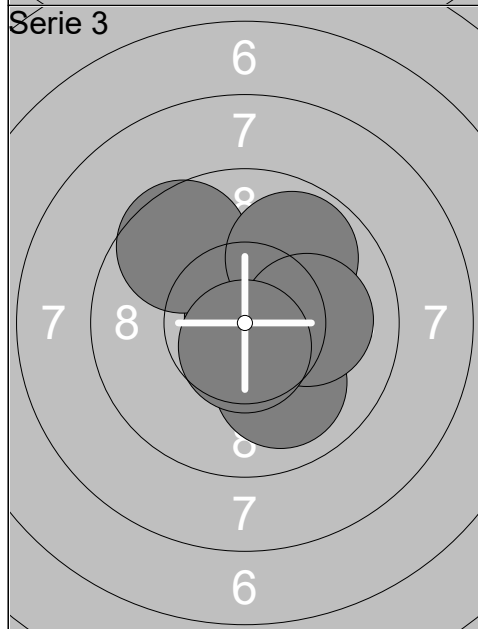
18.01.2020	GMO2020 Day 2	Gundsøllille OPEN 2020	
------------	---------------	------------------------	--



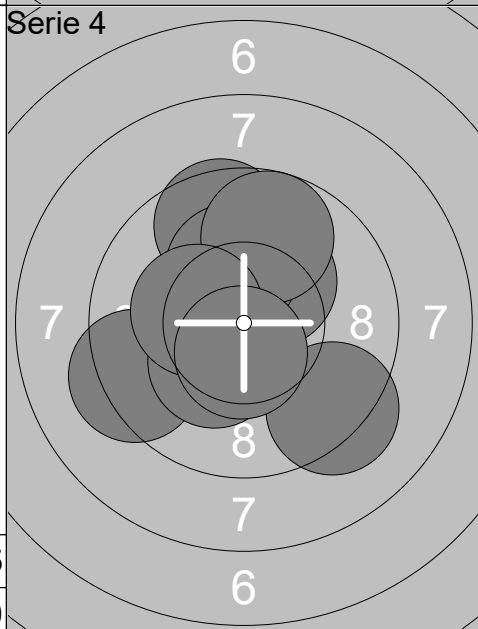
1:	10.3x ↗
2:	9.5 ↗
3:	10.2x ↖
4:	10.4x ↑
5:	9.6 ↓
6:	9.5 ➡
7:	10.3x ↘
8:	10.2x ↙
9:	10.3x ↗
10:	10.6x ↗
Series	100.9
	100.9



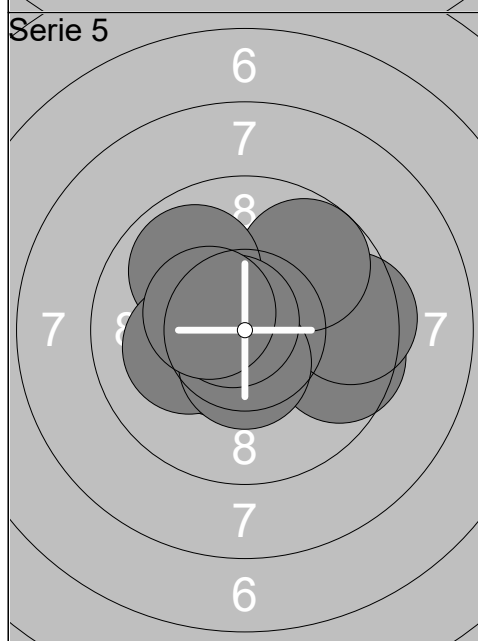
1:	10.8x ↘
2:	10.5x ➡
3:	8.8 ↓
4:	9.7 ↖
5:	10.3x ↗
6:	9.6 ←
7:	9.4 ←
8:	10.1 ↓
9:	9.9 ↗
10:	8.5 ↖
Series	97.6
	198.5



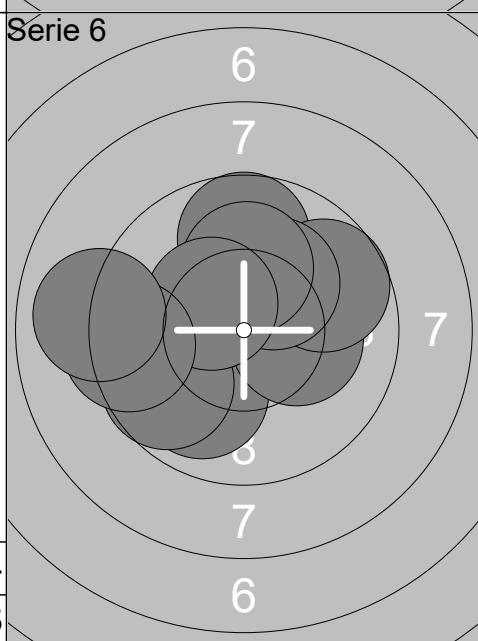
1:	10.7x ↗
2:	10.3x ↗
3:	10.8x ↗
4:	10.3x ↑
5:	10.3x ➡
6:	10.0 ↓
7:	9.6 ↖
8:	9.8 ↗
9:	10.1 ➡
10:	10.6x ↓
Series	102.5
	301.0



1:	10.8x ↙
2:	10.2x ↗
3:	9.6 ↑
4:	10.2x ↑
5:	9.2 ↘
6:	9.7 ↑
7:	9.3 ←
8:	10.3x ↘
9:	10.3x ↙
10:	10.5x ↓
Series	100.1
	401.1



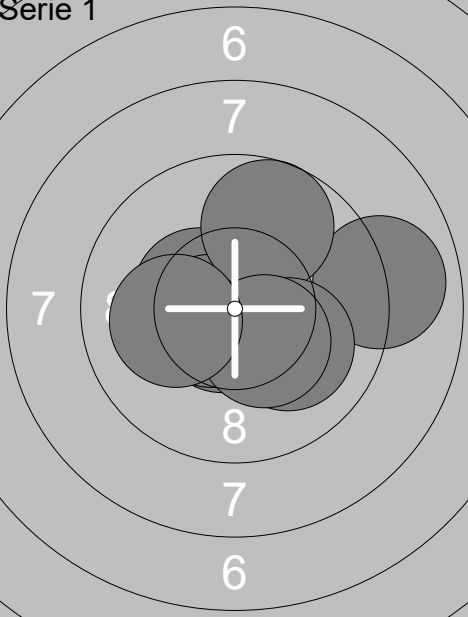
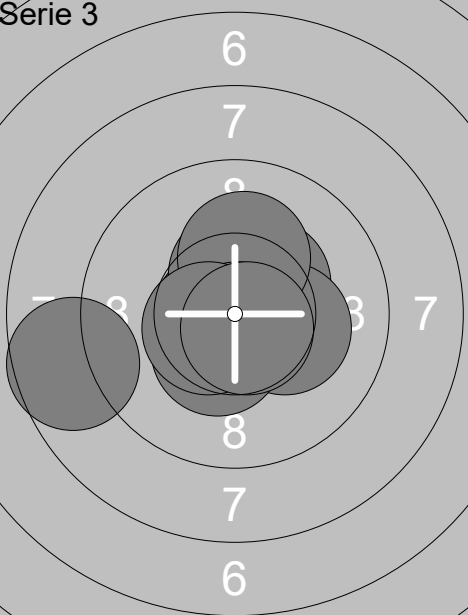
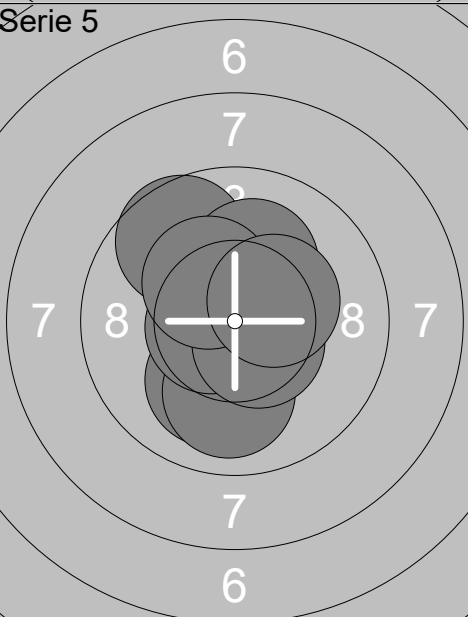
1:	10.6x ↙
2:	9.6 ➡
3:	9.5 ➡
4:	9.7 ↗
5:	10.5x ↙
6:	9.8 ↖
7:	10.1 ←
8:	10.5x ↓
9:	10.7x ↖
10:	10.4x ↙
Series	101.4
	502.5



1:	9.9 ↓
2:	10.2x ➡
3:	9.7 ↑
4:	9.7 ↗
5:	9.7 ←
6:	10.2x ↗
7:	10.1 ↑
8:	10.3x ↖
9:	9.4 ←
10:	9.0 ←
Series	98.2
	600.7

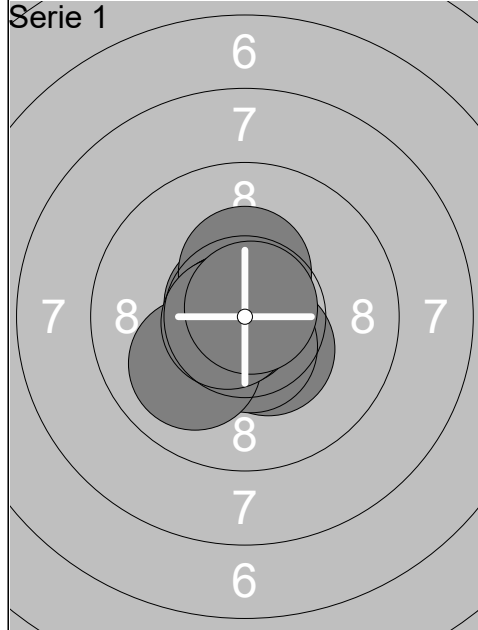
Gundsøllille Megalink Open 2020

Relay	Lane	Henrik Strand	
Gundsøllille Megalink OPE	Viborg Skytte Forening	M	
18.01.2020	GMO2020 Day 2	Gundsøllille OPEN 2020	
Serie 1	1: 10.6x ↗ 2: 10.5x → 3: 10.0 → 4: 10.6x ↑ 5: 10.7x ↑ 6: 10.6x ↑ 7: 9.8 → 8: 10.4x ↙ 9: 10.3x ↘ 10: 10.0 ↘ Series 103.5 103.5	Serie 2	1: 10.3x ↘ 2: 10.0 → 3: 10.1 ↗ 4: 10.0 ↘ 5: 10.2x ↘ 6: 10.1 ↓ 7: 10.1 ↗ 8: 10.3x ↗ 9: 9.5 ↓ 10: 10.6x ↑ Series 101.2 204.7
Serie 3	1: 9.8 ↓ 2: 10.4x → 3: 10.9x ↑ 4: 10.4x → 5: 10.2x ↘ 6: 10.2x ← 7: 10.5x ↗ 8: 10.0 ↑ 9: 10.4x ↗ 10: 9.6 ← Series 102.4 307.1	Serie 4	1: 10.4x ← 2: 10.7x ↗ 3: 10.4x ← 4: 10.0 → 5: 10.7x ← 6: 10.4x ← 7: 9.9 → 8: 10.6x ↓ 9: 8.8 ↗ 10: 10.1 ← Series 102.0 409.1
Serie 5	1: 9.3 ← 2: 10.6x ↑ 3: 9.8 ↗ 4: 10.1 → 5: 10.4x ↙ 6: 10.4x ↘ 7: 10.1 → 8: 10.2x ↘ 9: 10.4x ↘ 10: 10.4x ← Series 101.7 510.8	Serie 6	1: 10.6x ↑ 2: 9.9 ↑ 3: 9.7 ↗ 4: 10.3x ↘ 5: 10.1 ← 6: 9.8 → 7: 10.0 ↓ 8: 10.4x ↗ 9: 10.2x ← 10: 10.3x ↗ Series 101.3 612.1

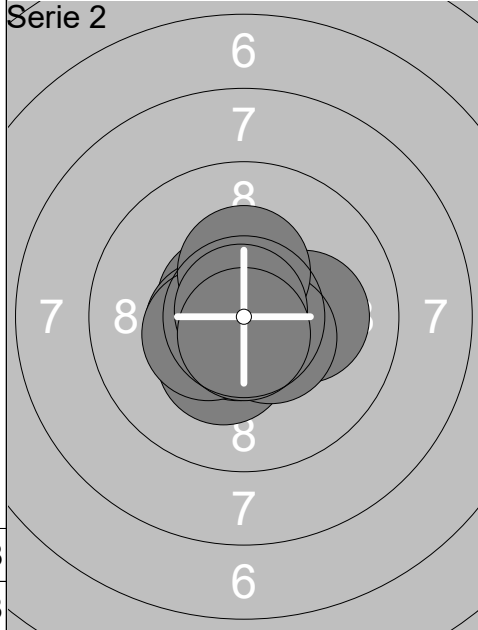
Relay	Lane	Albin Johansson	
Gundsøllille Megalink OPE	Aleholm skytteförening	M	
18.01.2020	GMO2020 Day 2	Gundsøllille OPEN 2020	
Serie 1		1: 10.6x ↗ 2: 10.6x ↘ 3: 10.3x ↘ 4: 10.4x ↙ 5: 8.9 → 6: 10.6x ↙ 7: 9.7 ↑ 8: 10.1 ↘ 9: 10.3x ↘ 10: 10.1 ← Series 101.6 101.6	Serie 2
		1: 9.7 ← 2: 10.0 → 3: 10.0 ↖ 4: 9.8 ↑ 5: 10.1 ↑ 6: 9.6 ↓ 7: 9.7 ↘ 8: 10.8x → 9: 10.4x ↙ 10: 10.5x ↑ Series 100.6 202.2	
Serie 3		1: 10.7x ← 2: 8.6 ← 3: 10.4x ↑ 4: 10.3x ↗ 5: 10.2x → 6: 10.2x ↑ 7: 10.7x ↓ 8: 10.4x ↓ 9: 10.5x ↙ 10: 10.7x ↘ Series 102.7 304.9	Serie 4
		1: 10.6x → 2: 9.6 ↘ 3: 10.7x ← 4: 10.6x ↓ 5: 10.3x → 6: 9.9 → 7: 10.2x ↓ 8: 10.0 ← 9: 9.9 ↓ 10: 9.6 ↖ Series 101.4 406.3	
Serie 5		1: 10.1 ↓ 2: 10.6x ↘ 3: 10.0 ↓ 4: 10.6x ↙ 5: 10.5x ↘ 6: 9.6 ↖ 7: 10.3x ↑ 8: 10.1 ↑ 9: 10.3x ↖ 10: 10.3x ↗ Series 102.4 508.7	Serie 6
		1: 10.1 ↑ 2: 9.8 ↖ 3: 9.6 ↓ 4: 10.0 ↗ 5: 10.2x ↑ 6: 10.8x ↙ 7: 10.3x ↙ 8: 10.5x ↗ 9: 9.8 ← 10: 10.5x ↓ Series 101.6 610.3	

Gundsøllille Megalink Open 2020

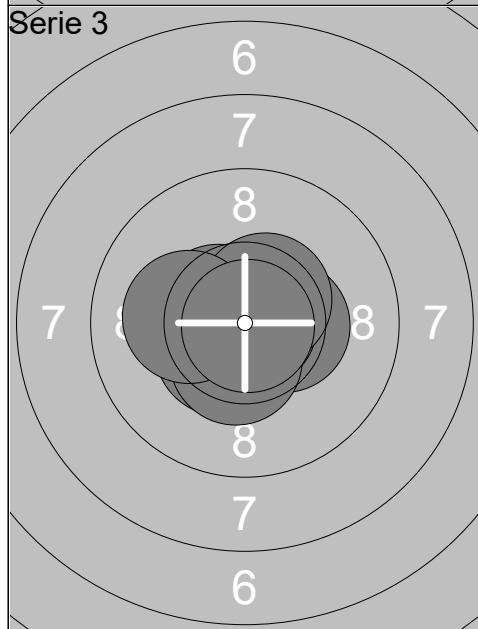
Relay	Lane	Erik Skovmand	
Gundsøllille Megalink OPE	Viborg Skytte Forening	M	
18.01.2020	GMO2020 Day 2	Gundsøllille OPEN 2020	
Serie 1	1: 9.9 ↑ 2: 10.5x ↗ 3: 10.8x ↘ 4: 9.7 ↑ 5: 10.2x ↘ 6: 9.6 ↖ 7: 10.0 ← 8: 10.7x ↑ 9: 9.7 ↖ 10: 10.6x ↓ Series 101.7 101.7	Serie 2	1: 10.5x ↓ 2: 9.8 ↖ 3: 9.6 → 4: 10.3x ↙ 5: 10.5x → 6: 10.8x ↑ 7: 10.9x 8: 9.2 → 9: 10.3x ← 10: 10.2x ↗ Series 102.1 203.8
Serie 3	1: 10.2x ← 2: 10.2x → 3: 9.7 ↗ 4: 10.8x ↗ 5: 10.6x ↑ 6: 10.7x ↖ 7: 9.9 ↑ 8: 10.7x ↙ 9: 10.4x → 10: 10.2x ↘ Series 103.4 307.2	Serie 4	1: 9.8 → 2: 10.6x → 3: 10.6x ← 4: 10.6x ↓ 5: 10.6x ↙ 6: 10.6x ↖ 7: 10.9x ↑ 8: 9.9 ↗ 9: 10.2x ↑ 10: 10.6x ↘ Series 104.4 411.6
Serie 5	1: 9.9 ↓ 2: 10.5x → 3: 10.4x ↖ 4: 10.7x ↖ 5: 10.1 → 6: 10.3x ↖ 7: 10.1 ← 8: 10.1 ↖ 9: 10.4x → 10: 10.4x ↑ Series 102.9 514.5	Serie 6	1: 10.4x ← 2: 9.7 ← 3: 10.3x ← 4: 10.4x ↓ 5: 10.5x → 6: 10.7x ↖ 7: 10.3x ↙ 8: 10.0 ← 9: 10.2x ↑ 10: 10.6x ↗ Series 103.1 617.6



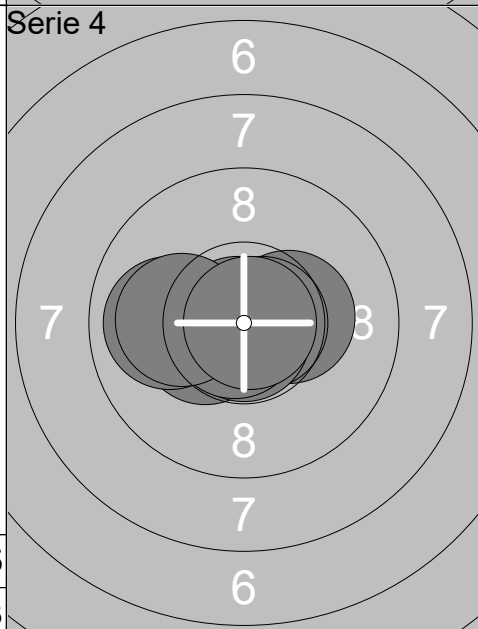
1:	10.9x →
2:	10.7x ↖
3:	10.3x ↑
4:	10.4x ↘
5:	10.8x ←
6:	10.5x ↓
7:	10.0 ↙
8:	10.7x ←
9:	10.7x ←
10:	10.8x ↗
Series	105.8
	105.8



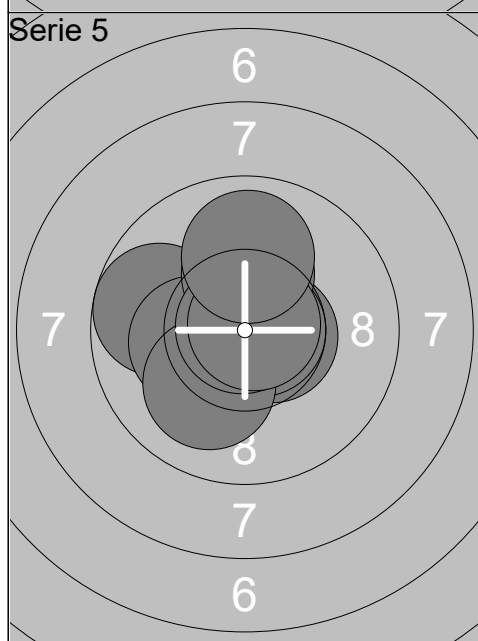
1:	10.6x ↖
2:	10.1 →
3:	10.3x ↙
4:	10.5x ↘
5:	10.7x ↓
6:	10.5x ←
7:	10.4x ←
8:	10.3x ↑
9:	10.9x ↗
10:	10.7x ↓
Series	105.0
	210.8



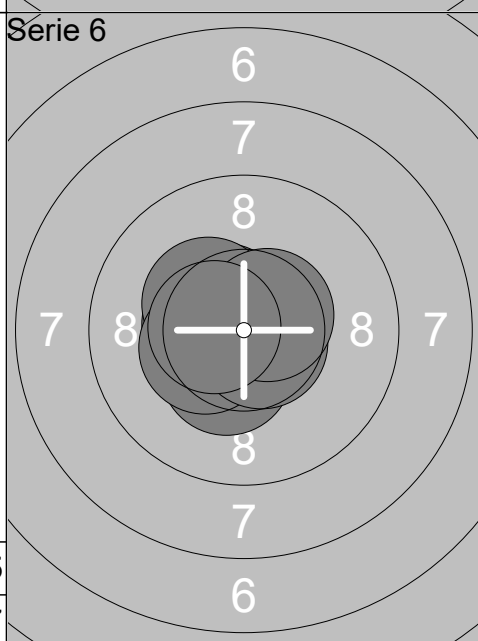
1:	10.7x ↓
2:	10.6x ↗
3:	10.4x ↙
4:	10.4x →
5:	10.5x ↖
6:	10.9x →
7:	10.4x ↓
8:	10.5x ↗
9:	10.2x ←
10:	10.9x ↘
Series	105.5
	316.3



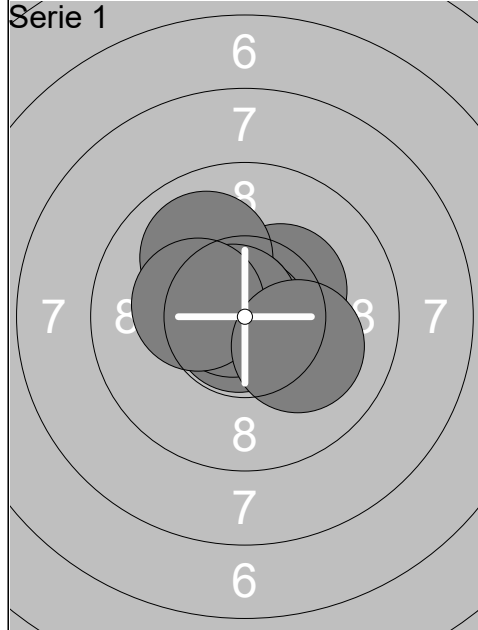
1:	10.3x →
2:	10.2x ←
3:	10.7x →
4:	10.8x ←
5:	10.4x ←
6:	10.8x ↓
7:	10.8x ↙
8:	9.9 ←
9:	10.1 ←
10:	10.9x →
Series	104.9
	421.2



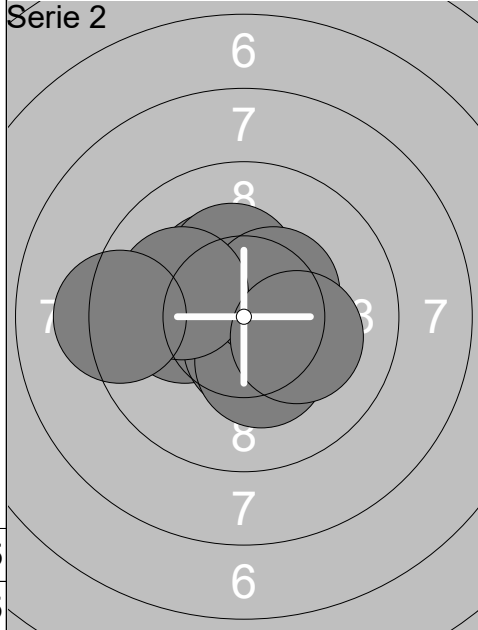
1:	9.7 ←
2:	10.4x ↙
3:	10.6x →
4:	10.7x →
5:	10.2x ←
6:	10.1 ↙
7:	10.2x ↑
8:	10.9x ↖
9:	10.8x ↗
10:	9.9 ↑
Series	103.5
	524.7



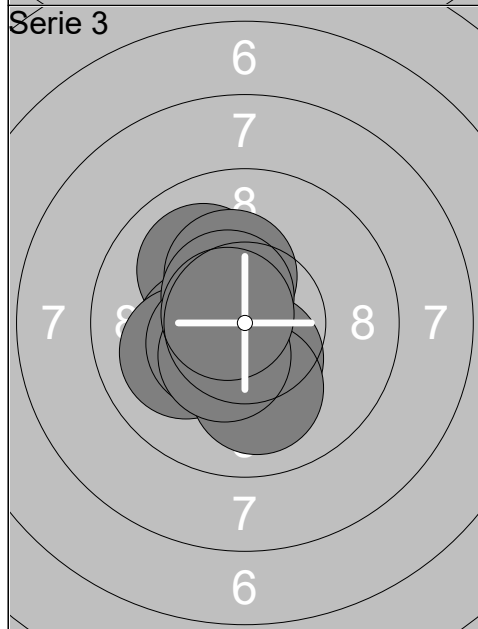
1:	10.4x ←
2:	10.5x ↖
3:	10.4x ←
4:	10.3x ↙
5:	10.6x ←
6:	10.3x ↖
7:	10.4x ←
8:	10.6x ↘
9:	10.5x ↗
10:	10.5x ←
Series	104.5
	629.2



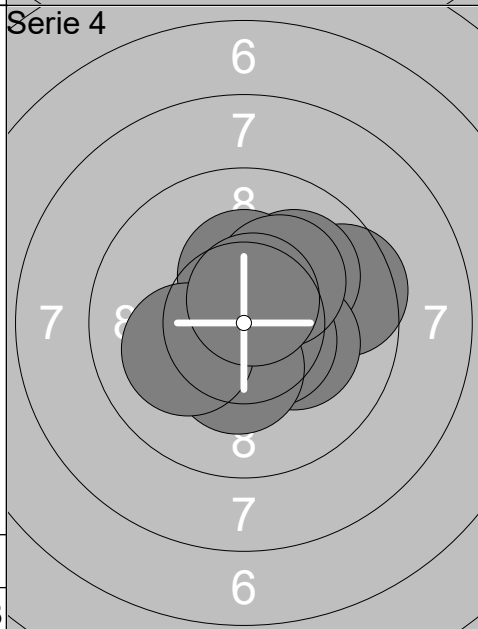
1:	10.3x ↗
2:	10.8x ↖
3:	10.8x ←
4:	10.8x ←
5:	10.0 ↗
6:	10.8x ↓
7:	10.8x ↘
8:	10.8x ↖
9:	10.3x ←
10:	10.1 →
Series	105.5
	105.5



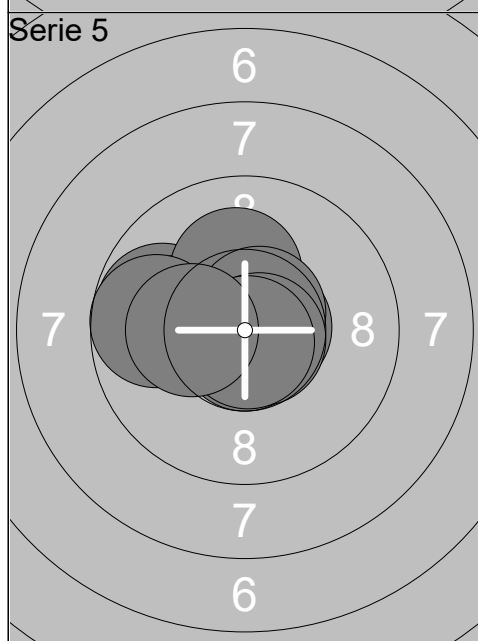
1:	10.3x ↖
2:	10.1 ←
3:	10.3x ↑
4:	10.9x ↗
5:	10.5x ↓
6:	10.3x ↓
7:	10.4x ↗
8:	10.0 ←
9:	9.2 ←
10:	10.2x →
Series	102.2
	207.7



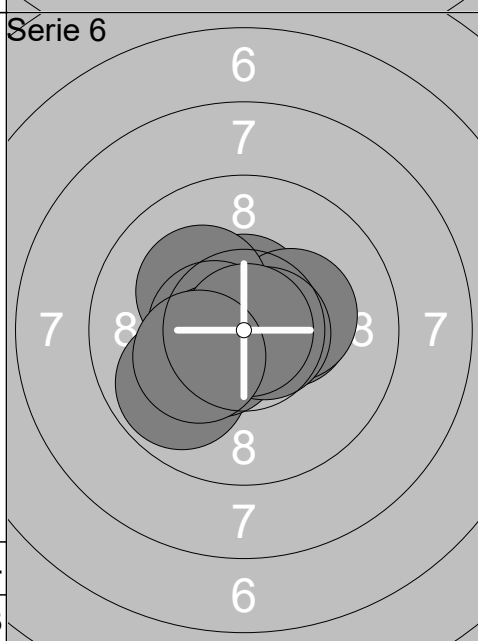
1:	10.0 ↖
2:	10.3x ↑
3:	10.3x ←
4:	10.4x ↓
5:	10.0 ←
6:	10.5x ↗
7:	10.1 ↓
8:	10.4x ↖
9:	10.4x ↘
10:	10.7x ↖
Series	103.1
	310.8



1:	10.4x ↗
2:	9.5 →
3:	10.0 ↗
4:	10.2x →
5:	10.5x →
6:	10.3x ↑
7:	10.3x ↓
8:	10.1 ←
9:	10.2x ↗
10:	10.6x ↑
Series	102.1
	412.9



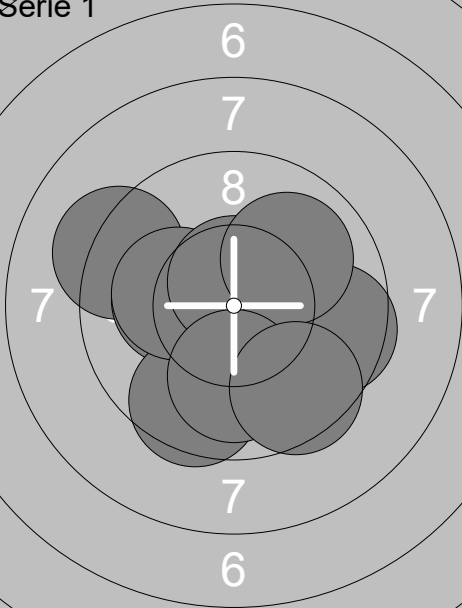
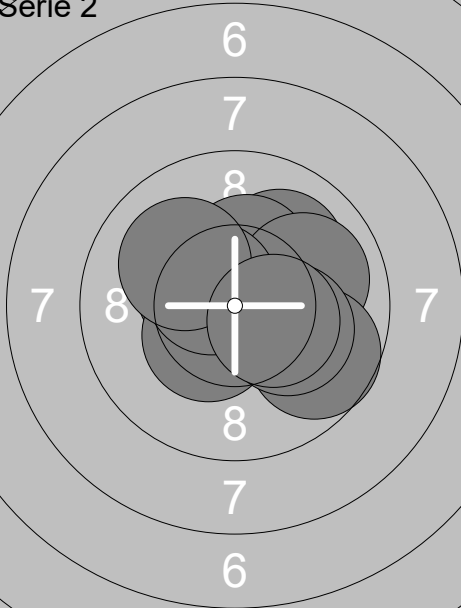
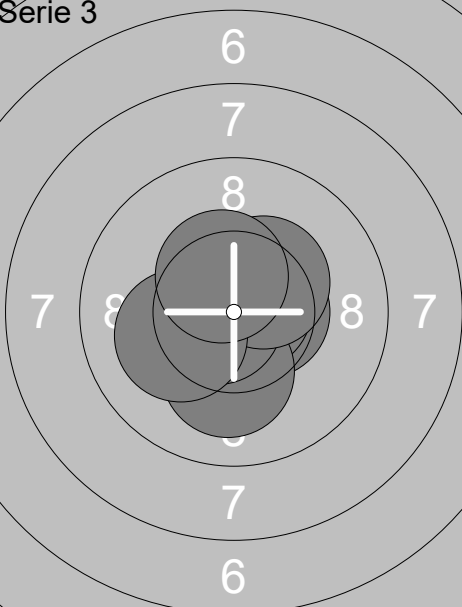
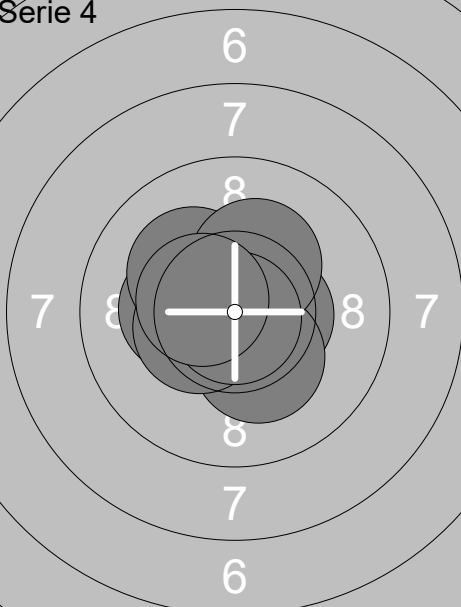
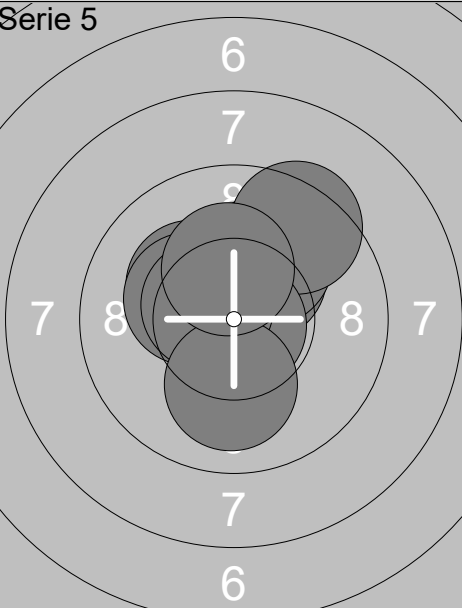
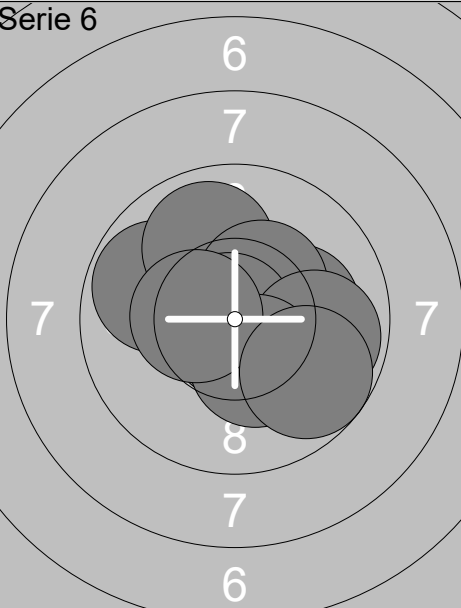
1:	9.8 ←
2:	10.6x →
3:	10.1 ←
4:	10.2x ↑
5:	10.6x ↗
6:	10.7x ↓
7:	10.7x →
8:	10.8x ↓
9:	9.7 ←
10:	10.2x ←
Series	103.4
	516.3



1:	10.5x ↑
2:	10.3x →
3:	10.2x →
4:	10.2x ↖
5:	10.5x ←
6:	9.8 ↖
7:	10.5x ↖
8:	10.6x →
9:	10.9x →
10:	10.2x ↖
Series	103.7
	620.0

Relay	Lane	Name		
1	26	Marcus Madsen		
Gundsøllille Megalink OPE		Aleholm skytteforening	M	
18.01.2020		GMO2020 Day 2	Gundsøllille OPEN 2020	
Serie 1 		1: 10.3x ← 2: 10.1 ↙ 3: 10.5x → 4: 10.0 ↓ 5: 10.3x ← 6: 10.6x ↘ 7: 10.8x ↘ 8: 10.5x ↘ 9: 10.2x ← 10: 10.7x → Series 104.0 104.0	Serie 2 	1: 10.9x → 2: 10.6x ↑ 3: 10.3x → 4: 10.5x ↓ 5: 10.5x ← 6: 10.8x ↓ 7: 10.8x ↖ 8: 9.8 ↙ 9: 10.4x ↘ 10: 10.2x ← Series 104.8 208.8
Serie 3 		1: 10.3x ↘ 2: 10.2x ↓ 3: 10.7x ↑ 4: 10.8x → 5: 9.9 ↑ 6: 10.5x ↘ 7: 10.3x ↑ 8: 10.7x ↗ 9: 10.2x ↖ 10: 10.3x ↘ Series 103.9 312.7	Serie 4 	1: 10.6x ← 2: 10.8x → 3: 10.6x ↗ 4: 9.9 → 5: 10.6x ↑ 6: 9.8 → 7: 10.5x ↘ 8: 9.9 → 9: 10.6x ↖ 10: 10.8x ← Series 104.1 416.8
Serie 5 		1: 10.5x ↗ 2: 10.4x ↑ 3: 10.4x ↓ 4: 10.6x ↓ 5: 10.3x ← 6: 10.4x → 7: 10.8x ↑ 8: 10.7x ← 9: 10.5x ↗ 10: 10.5x ↘ Series 105.1 521.9	Serie 6 	1: 10.8x ↘ 2: 10.6x ↓ 3: 10.7x → 4: 10.2x ↗ 5: 10.2x → 6: 10.0 ↗ 7: 9.9 ↗ 8: 10.2x ↓ 9: 10.9x 10: 10.2x ↑ Series 103.7 625.6

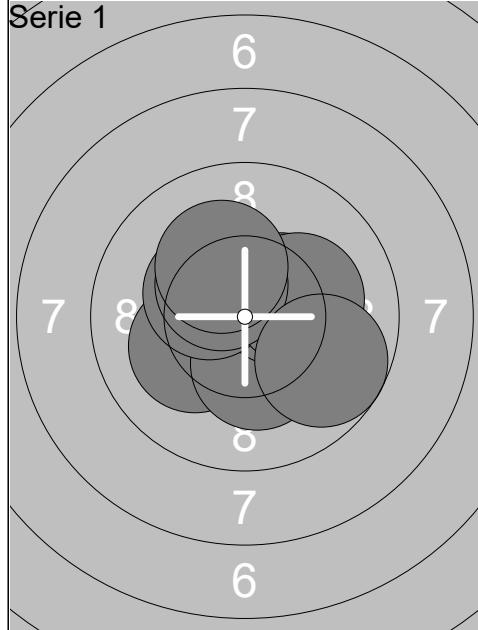
Relay	Lane	Anders Hansen		
1	27			
Gundsøllille Megalink OPE		Aalborg Skyttekreds		
18.01.2020		GMO2020 Day 2	Gundsøllille OPEN 2020	
Serie 1 		1: 9.8 ← 2: 10.1 ↑ 3: 9.7 ← 4: 10.4x ↑ 5: 9.9 ← 6: 10.4x ↓ 7: 10.4x ↗ 8: 10.2x ↗ 9: 10.5x ← 10: 9.7 ↓ Series 101.1 101.1	Serie 2 	1: 9.8 → 2: 8.8 → 3: 10.2x ← 4: 10.7x ↑ 5: 8.5 → 6: 9.9 ↑ 7: 9.7 ← 8: 9.8 ↓ 9: 10.0 → 10: 9.0 ↓ Series 96.4 197.5
Serie 3 		1: 9.4 ↗ 2: 9.7 → 3: 9.1 ← 4: 10.0 ↗ 5: 10.7x ← 6: 9.9 ↗ 7: 9.5 ← 8: 10.1 → 9: 9.8 ← 10: 9.1 ← Series 97.3 294.8	Serie 4 	1: 7.0 ← 2: 8.8 ← 3: 10.7x ← 4: 9.6 ↗ 5: 9.9 → 6: 9.8 ↓ 7: 10.5x ↗ 8: 9.1 ← 9: 9.9 ↓ 10: 10.0 ↓ Series 95.3 390.1
Serie 5 		1: 9.5 ↓ 2: 10.5x ↓ 3: 10.4x ← 4: 10.5x ↑ 5: 10.2x ← 6: 10.7x ↗ 7: 9.6 ↓ 8: 10.0 ↓ 9: 10.6x ↓ 10: 9.2 ↗ Series 101.2 491.3	Serie 6 	1: 9.2 → 2: 9.7 → 3: 10.6x ↗ 4: 10.2x → 5: 10.2x ↗ 6: 10.8x ↓ 7: 10.0 ← 8: 9.0 ← 9: 9.9 → 10: 10.5x ← Series 100.1 591.4

Relay	Lane	Anders Henricsson	
Gundsøllille Megalink OPE	28	Linköpings Skytteförening	M
18.01.2020	GMO2020 Day 2	Gundsøllille OPEN 2020	
Serie 1		1: 10.3x ← 2: 9.2 ↖ 3: 10.2x ← 4: 9.5 ↓ 5: 10.1 ← 6: 9.6 → 7: 10.6x ↑ 8: 10.0 ↗ 9: 10.0 ↓ 10: 9.5 ↓	Serie 2
	Series 99.0		1: 10.4x ↖ 2: 10.0 ↗ 3: 10.3x ↑ 4: 10.4x ↙ 5: 9.9 → 6: 10.5x ↖ 7: 9.7 ↘ 8: 10.1 ↗ 9: 10.1 → 10: 10.4x →
	99.0		Series 101.8
			200.8
Serie 3		1: 10.7x ↙ 2: 10.5x → 3: 10.4x ↙ 4: 10.8x ← 5: 10.8x ↗ 6: 10.1 ↓ 7: 10.7x ← 8: 10.3x ↗ 9: 10.1 ← 10: 10.4x ↑	Serie 4
	Series 104.8		1: 10.5x → 2: 10.3x ↓ 3: 10.3x ← 4: 10.2x ↖ 5: 10.6x ← 6: 10.7x ↑ 7: 10.4x ← 8: 10.2x ↑ 9: 10.8x ↓ 10: 10.5x ←
	305.6		Series 104.5
			410.1
Serie 5		1: 10.2x ↑ 2: 10.2x ↖ 3: 10.7x ↑ 4: 10.0 ↗ 5: 9.4 ↗ 6: 10.8x ↘ 7: 10.3x ↖ 8: 10.5x ↖ 9: 10.1 ↓ 10: 10.2x ↑	Serie 6
	Series 102.4		1: 9.8 ↖ 2: 10.1 → 3: 10.7x ↓ 4: 9.9 ↑ 5: 10.4x ↗ 6: 10.9x ← 7: 9.8 → 8: 10.3x ↓ 9: 10.4x ← 10: 9.7 ↘
	512.5		Series 102.0
			614.5

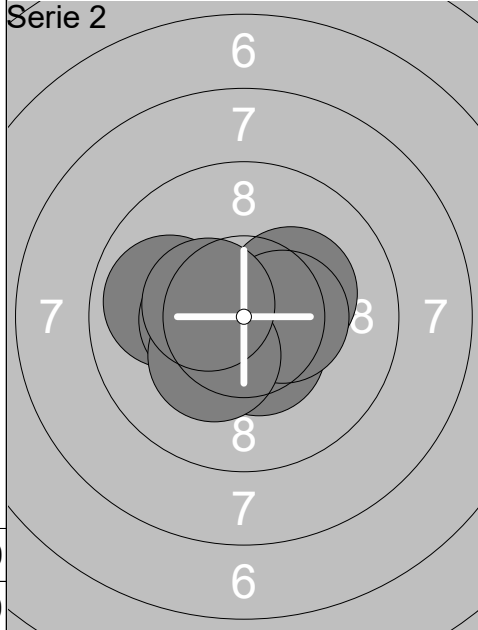
Relay 1	Lane 29	Esben Jakobsen
-------------------	-------------------	-----------------------

Gundsøllille Megalink OPE	Sørslev Skytteforening	M
---------------------------	------------------------	---

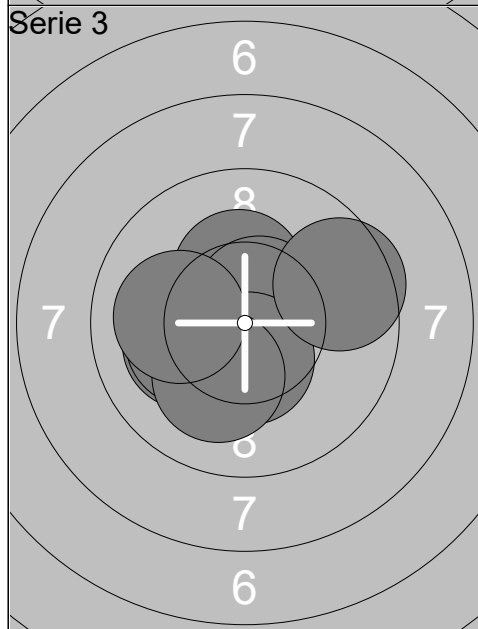
18.01.2020	GMO2020 Day 2	Gundsøllille OPEN 2020
------------	---------------	------------------------



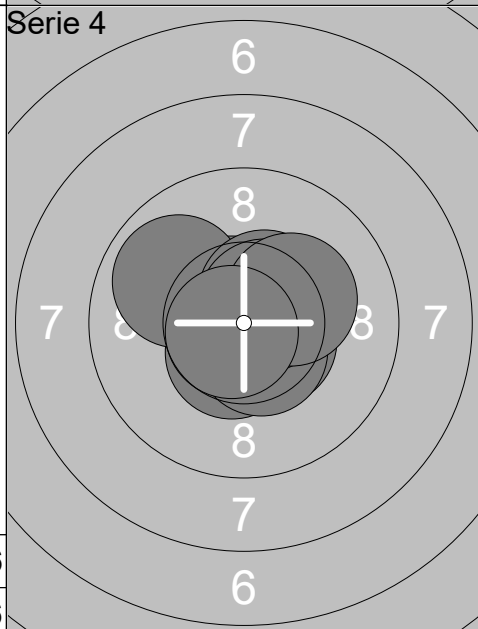
1:	10.6x ↘
2:	10.1 ↙
3:	10.7x ↑
4:	10.3x ↓
5:	10.4x →
6:	10.4x ↖
7:	10.2x →
8:	10.4x ↗
9:	10.2x ↗
10:	9.7 ↘
Series	103.0
	103.0



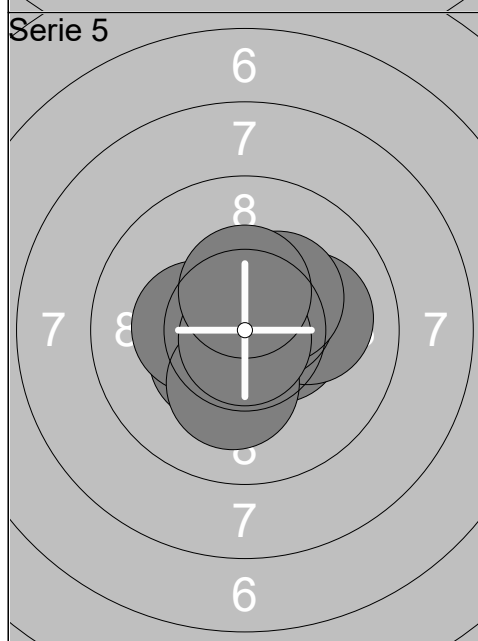
1:	9.9 ←
2:	10.4x ←
3:	10.6x ←
4:	10.2x →
5:	10.6x ←
6:	10.8x ↓
7:	10.4x ↓
8:	10.4x →
9:	10.3x ↘
10:	10.4x ←
Series	104.0
	207.0



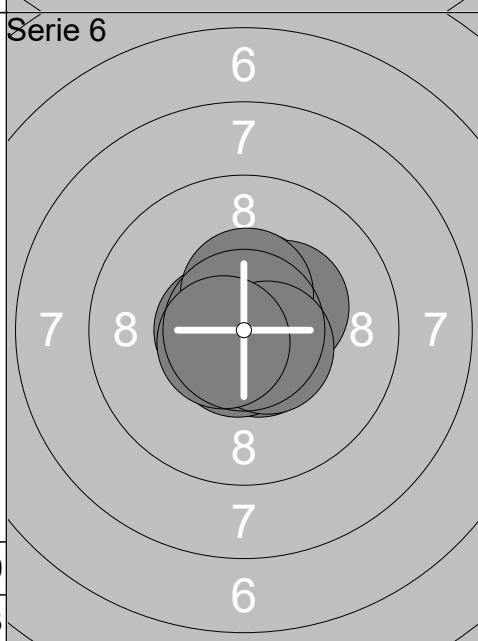
1:	10.1 ←
2:	10.8x ↓
3:	10.2x ←
4:	10.3x ↑
5:	10.4x ↓
6:	10.6x ↗
7:	10.5x ↓
8:	9.5 →
9:	10.1 ↓
10:	10.1 ←
Series	102.6
	309.6



1:	10.7x →
2:	10.5x ↓
3:	10.6x ↗
4:	10.5x →
5:	9.9 ↖
6:	10.5x ↓
7:	10.5x ↗
8:	10.6x ↗
9:	10.2x →
10:	10.7x ↙
Series	104.7
	414.3



1:	10.4x ↙
2:	10.5x →
3:	10.5x →
4:	10.1 →
5:	10.3x ←
6:	10.5x ↗
7:	10.2x ↓
8:	10.3x ↗
9:	10.8x ↓
10:	10.4x ↑
Series	104.0
	518.3



1:	10.7x ↓
2:	10.7x ←
3:	10.6x ↓
4:	10.5x ↑
5:	10.3x →
6:	10.6x ←
7:	10.7x ↓
8:	10.5x ↑
9:	10.5x →
10:	10.6x ↙
Series	105.7
	624.0

Gundsøllille Megalink Open 2020