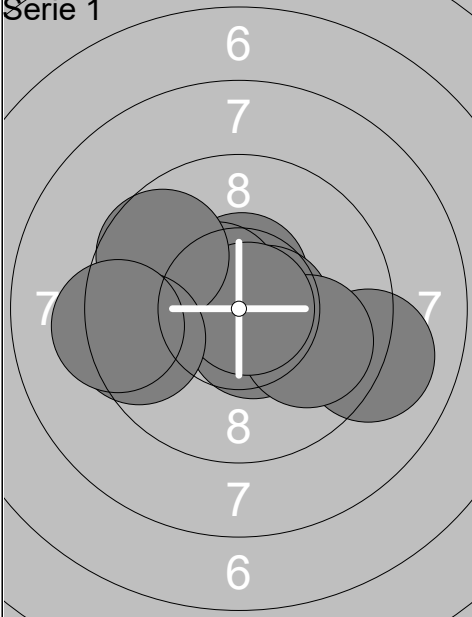
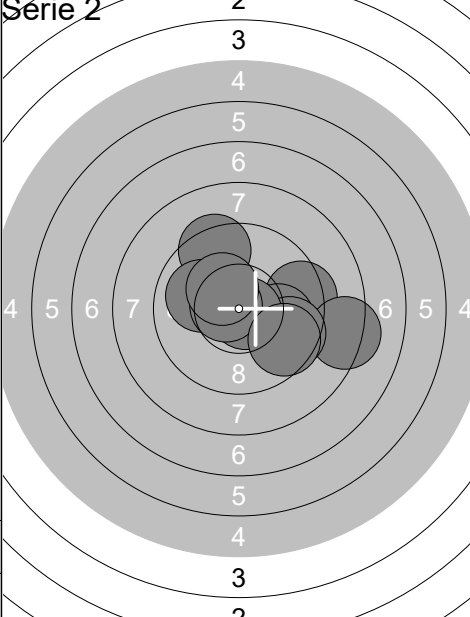
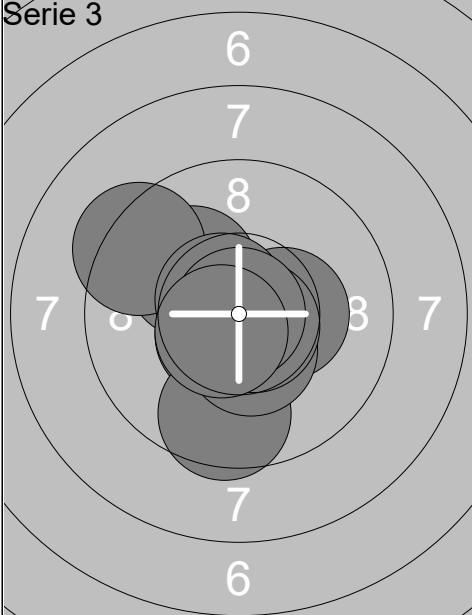
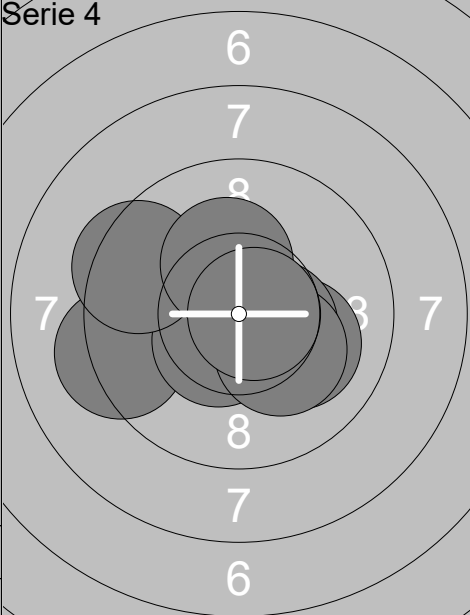
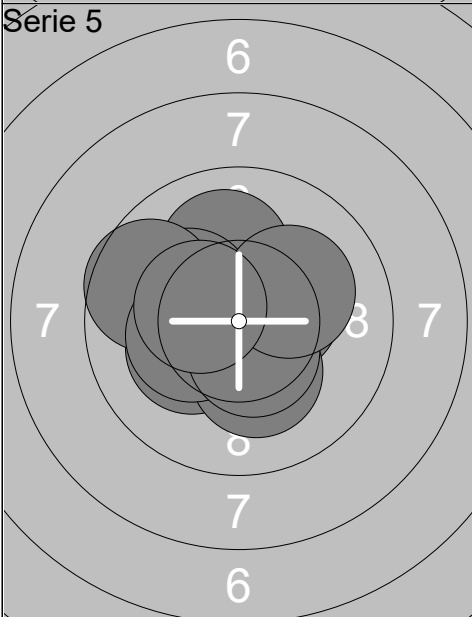
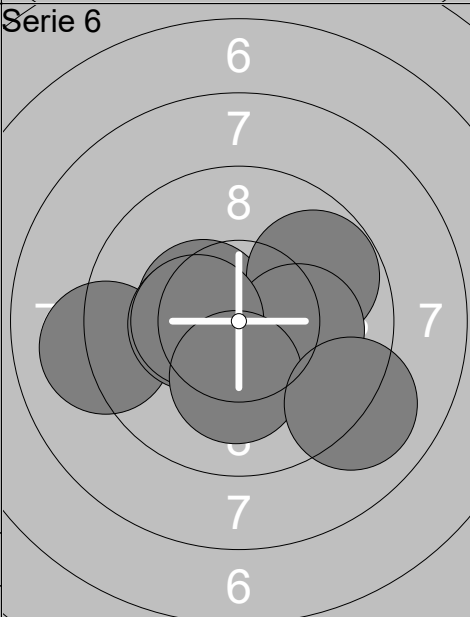
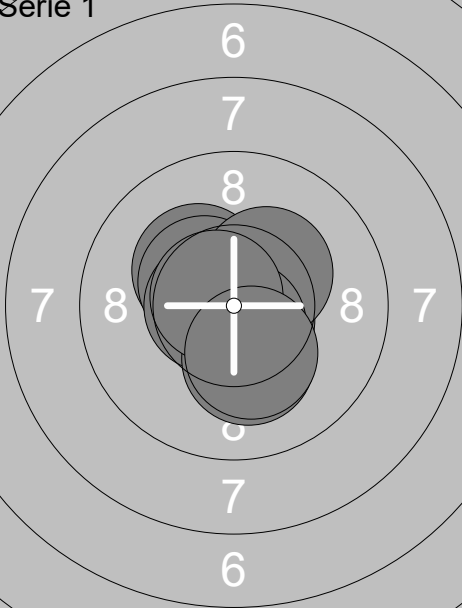
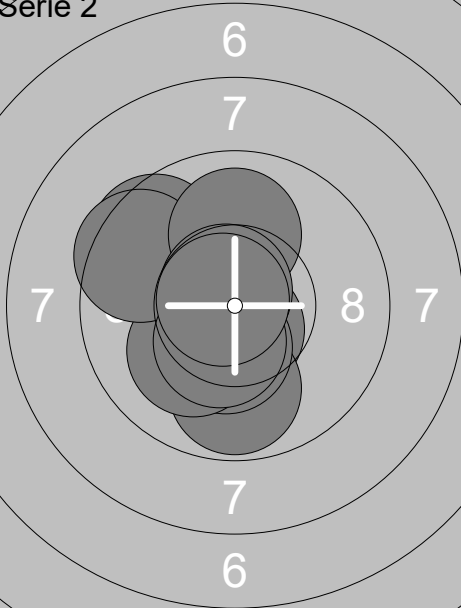
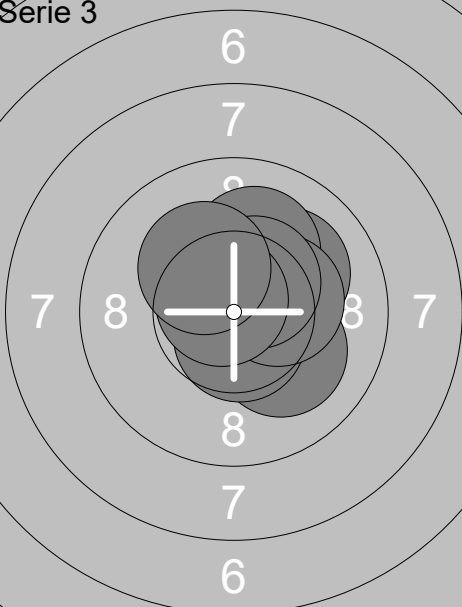
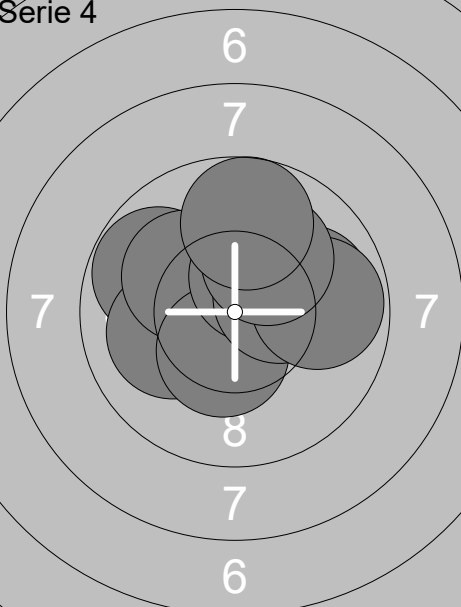
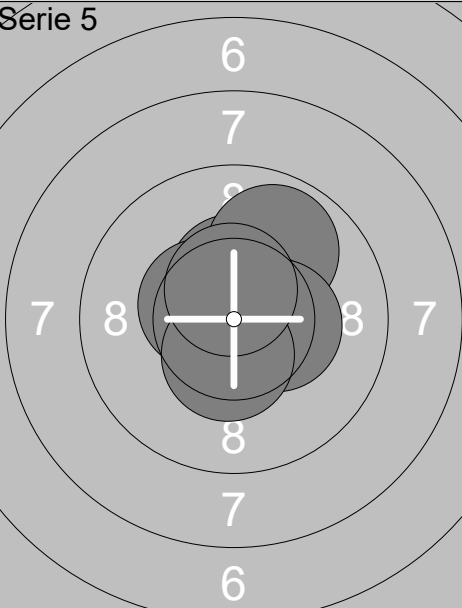
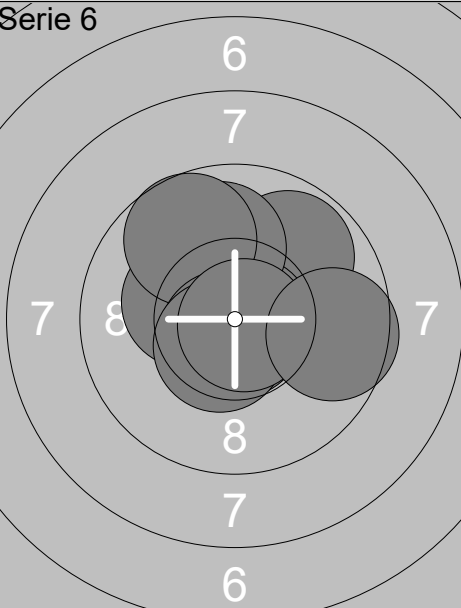
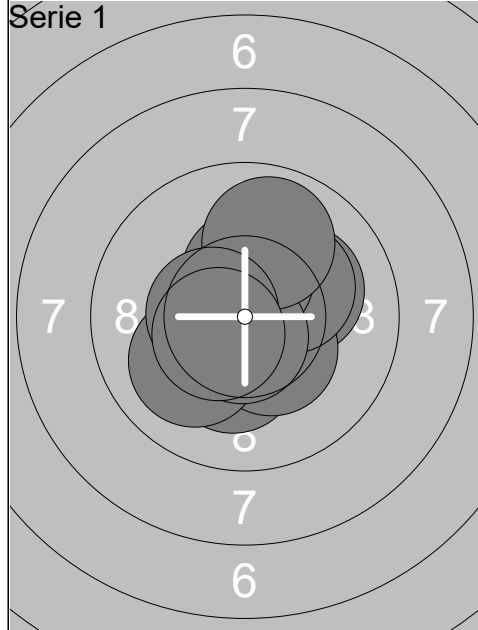


Relay	Lane	Stine Holtze Nielsen	
3	22	Gundsøllille Megalink OPE	Sørslev Skytteforening
17.01.2020		GMO2020 Day 1	Gundsøllille OPEN 2020
Serie 1		1: 10.8x ↖ 2: 10.1 ↖ 3: 10.4x ↗ 4: 10.0 ↑ 5: 10.2x ↗ 6: 9.4 ↖ 7: 10.8x ↗ 8: 10.4x → 9: 10.7x ↗ 10: 10.5x ↖ Series 103.3 103.3	Serie 2 1: 10.2x ↗ 2: 10.4x ↑ 3: 10.4x ↖ 4: 10.2x ← 5: 9.8 ← 6: 10.2x ← 7: 10.8x ↗ 8: 10.7x ↑ 9: 10.8x → 10: 10.6x ↓ Series 104.1 207.4
Serie 3		1: 10.5x ↗ 2: 10.0 ↖ 3: 10.8x ← 4: 10.4x ↓ 5: 10.0 → 6: 10.4x ← 7: 10.6x ↓ 8: 10.0 ↓ 9: 10.8x ← 10: 10.6x ↙ Series 104.1 311.5	Serie 4 1: 10.1 ← 2: 9.7 ← 3: 10.7x ↑ 4: 9.5 ← 5: 10.2x ↖ 6: 10.8x ↓ 7: 10.6x ↓ 8: 10.7x ↖ 9: 10.7x ← 10: 10.5x ↑ Series 103.5 415.0
Serie 5		1: 10.3x ↙ 2: 10.9x ↓ 3: 10.2x ← 4: 10.7x ↗ 5: 10.8x → 6: 9.8 → 7: 10.8x ↖ 8: 10.1 ↓ 9: 10.6x ↘ 10: 10.6x ↖ Series 104.8 519.8	Serie 6 1: 10.2x ↓ 2: 10.7x ↓ 3: 10.7x ↘ 4: 10.6x ↗ 5: 10.0 ↓ 6: 10.7x → 7: 10.3x ↓ 8: 10.0 ↗ 9: 10.6x ↓ 10: 10.3x → Series 104.1 623.9

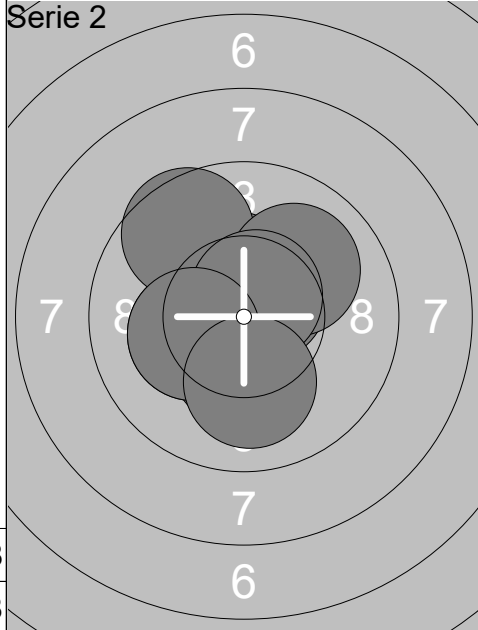
Relay	Lane	Simone Berg		
Gundsøllille Megalink OPE	Aalborg Skyttekreds	W		
17.01.2020	GMO2020 Day 1	Gundsøllille OPEN 2020		
Serie 1		1: 9.0 → 2: 10.5x ↑ 3: 10.6x → 4: 10.5x ↗ 5: 10.6x ↓ 6: 9.9 → 7: 10.8x → 8: 9.7 ↖ 9: 9.5 ← 10: 9.3 ← Series 100.4 100.4	Serie 2 	1: 9.4 ↗ 2: 9.4 → 3: 10.0 ↖ 4: 8.3 → 5: 9.9 → 6: 9.6 → 7: 10.7x ↓ 8: 10.6x ← 9: 10.3x ↗ 10: 9.6 ↓ Series 97.8 198.2
Serie 3		1: 10.1 ↖ 2: 10.5x ↓ 3: 10.3x → 4: 9.5 ↓ 5: 10.4x ↓ 6: 10.7x ↓ 7: 9.3 ↖ 8: 10.6x ↗ 9: 10.9x 10: 10.6x ↓ Series 102.9 301.1	Serie 4 	1: 10.5x ↓ 2: 10.6x ↙ 3: 10.1 → 4: 9.2 ← 5: 10.4x → 6: 10.5x ↙ 7: 9.4 ↖ 8: 10.2x ↓ 9: 10.2x ↑ 10: 10.7x → Series 101.8 402.9
Serie 5		1: 10.0 ↑ 2: 10.2x ↖ 3: 10.4x → 4: 10.2x ↙ 5: 10.2x ↓ 6: 9.7 ← 7: 10.3x ← 8: 10.5x ↓ 9: 10.2x ↗ 10: 10.4x ↖ Series 102.1 505.0	Serie 6 	1: 10.5x ← 2: 10.4x ↖ 3: 9.1 ← 4: 10.4x ↓ 5: 9.8 ↗ 6: 10.1 → 7: 10.3x ← 8: 10.4x ← 9: 10.2x ↓ 10: 9.0 ↓ Series 100.2 605.2

Relay	Lane	Rikke Mæng Ibsen	
3	25	Gundsøllille Megalink OPE	Trehøje Skytteforening
17.01.2020		GMO2020 Day 1	Gundsøllille OPEN 2020
Serie 1		1: 10.5x ↗ 2: 10.1 ↙ 3: 10.6x ↓ 4: 10.3x ↖ 5: 10.5x ↗ 6: 10.4x ↓ 7: 10.7x ← 8: 10.7x ↘ 9: 10.1 ← 10: 10.4x ↗ Series 104.3 104.3	Serie 2 1: 10.3x ↑ 2: 10.8x ← 3: 10.1 → 4: 10.6x ↑ 5: 10.4x ↘ 6: 10.5x ↓ 7: 10.5x ← 8: 10.4x ↘ 9: 10.3x ↘ 10: 10.5x ↓ Series 104.4 208.7
Serie 3		1: 10.0 ← 2: 10.3x ↓ 3: 10.7x ↓ 4: 10.2x → 5: 10.4x ↓ 6: 10.1 → 7: 10.1 ↓ 8: 10.3x ↖ 9: 10.5x ↑ 10: 10.4x → Series 103.0 311.7	Serie 4 1: 10.0 ↖ 2: 10.1 ↖ 3: 10.3x ↑ 4: 10.8x → 5: 9.8 ← 6: 10.8x ↑ 7: 10.6x ↖ 8: 10.1 → 9: 10.3x ↑ 10: 10.0 ← Series 102.8 414.5
Serie 5		1: 10.9x ← 2: 10.6x → 3: 10.1 → 4: 10.4x ← 5: 10.6x ↑ 6: 10.4x → 7: 10.6x ↓ 8: 10.8x ↖ 9: 10.7x ↘ 10: 10.7x ↖ Series 105.8 520.3	Serie 6 1: 10.7x ↘ 2: 10.7x ↗ 3: 10.8x ↑ 4: 10.2x ↓ 5: 10.2x → 6: 10.4x ← 7: 10.3x ↓ 8: 10.7x ↙ 9: 10.6x ↙ 10: 10.1 ↗ Series 104.7 625.0

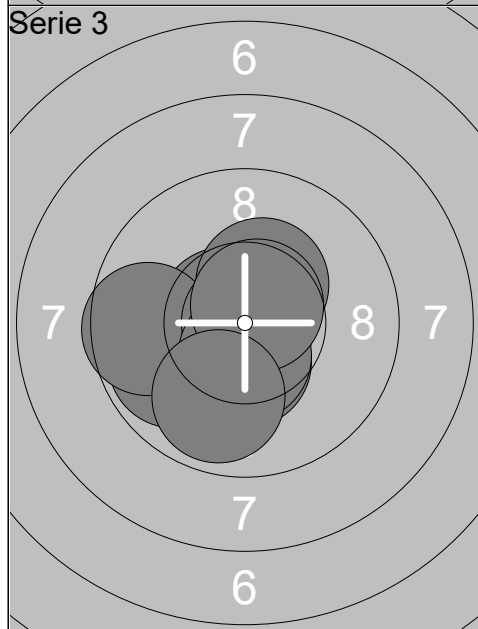
<p>Serie 1</p> 	<p>1: 10.3x ↗ 2: 10.6x ↘ 3: 10.8x ↑ 4: 10.4x ↖ 5: 10.3x ↗ 6: 10.6x ↓ 7: 10.6x ← 8: 10.2x ↓ 9: 10.7x ↖ 10: 10.3x ↓</p> <p>Series 104.8 104.8</p>	<p>Serie 2</p> 	<p>1: 10.6x ↓ 2: 9.8 ↓ 3: 10.4x ↓ 4: 9.5 ↖ 5: 10.1 ↘ 6: 9.5 ↖ 7: 10.0 ↑ 8: 10.7x ↖ 9: 10.4x ↓ 10: 10.7x ↖</p> <p>Series 101.7 206.5</p>
<p>Serie 3</p> 	<p>1: 10.1 ↘ 2: 10.1 ↗ 3: 10.1 ↑ 4: 10.7x → 5: 10.5x ↗ 6: 10.6x ↓ 7: 10.3x → 8: 10.4x ↗ 9: 10.7x ↖ 10: 10.2x ↖</p> <p>Series 103.7 310.2</p>	<p>Serie 4</p> 	<p>1: 9.8 ↖ 2: 10.0 ← 3: 9.9 → 4: 10.1 ↖ 5: 10.4x ↓ 6: 10.4x ↗ 7: 10.3x → 8: 9.8 → 9: 10.1 ↗ 10: 9.7 ↑</p> <p>Series 100.5 410.7</p>
<p>Serie 5</p> 	<p>1: 10.4x ↑ 2: 10.6x → 3: 10.7x ← 4: 9.9 ↗ 5: 10.7x ↓ 6: 10.5x ↖ 7: 10.6x → 8: 10.4x → 9: 10.5x ↓ 10: 10.5x ↑</p> <p>Series 104.8 515.5</p>	<p>Serie 6</p> 	<p>1: 9.8 ↗ 2: 10.8x → 3: 10.8x ↓ 4: 9.9 ↑ 5: 10.2x ↖ 6: 9.7 ↖ 7: 10.7x ↓ 8: 10.5x ↓ 9: 10.8x ↘ 10: 9.6 →</p> <p>Series 102.8 618.3</p>



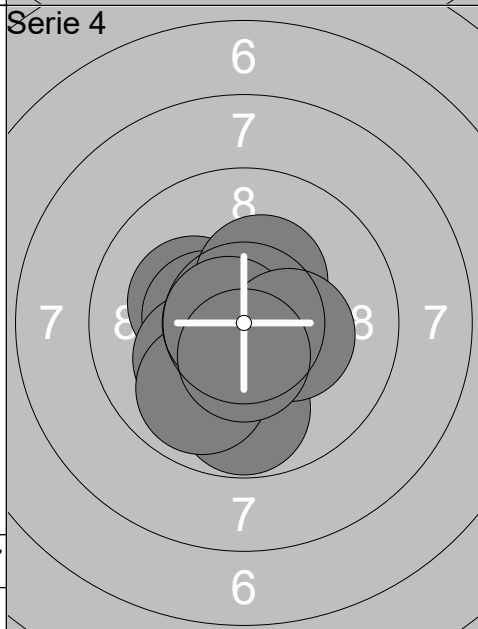
1:	10.1	↗
2:	10.2x	↓
3:	10.4x	↘
4:	10.2x	↗
5:	10.0	↙
6:	10.4x	↑
7:	10.6x	↓
8:	9.9	↑
9:	10.5x	↙
10:	10.5x	↙
Series	102.8	
	102.8	



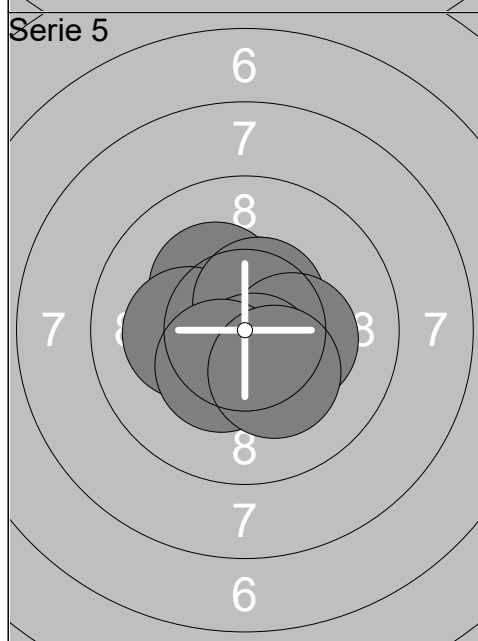
1:	10.6x	↗
2:	10.6x	↙
3:	10.4x	↑
4:	10.2x	↙
5:	9.6	↖
6:	10.0	↗
7:	10.3x	↓
8:	10.6x	↗
9:	10.2x	↙
10:	10.1	↓
Series	102.6	
	205.4	



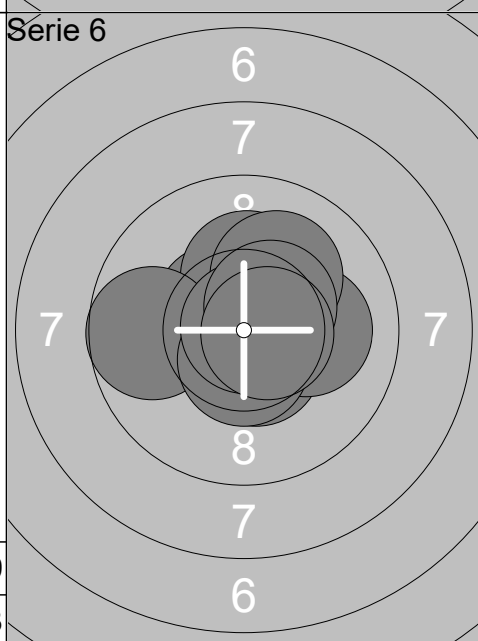
1:	10.0	↙
2:	9.8	↙
3:	10.6x	↙
4:	9.6	↙
5:	10.4x	↗
6:	10.4x	↓
7:	10.9x	→
8:	10.5x	↓
9:	10.6x	↗
10:	9.9	↓
Series	102.7	
	308.1	



1:	10.2x	↙
2:	10.9x	→
3:	10.5x	↙
4:	10.3x	↗
5:	10.2x	↙
6:	9.8	↓
7:	9.9	↙
8:	10.7x	↙
9:	10.3x	→
10:	10.5x	↓
Series	103.3	
	411.4	

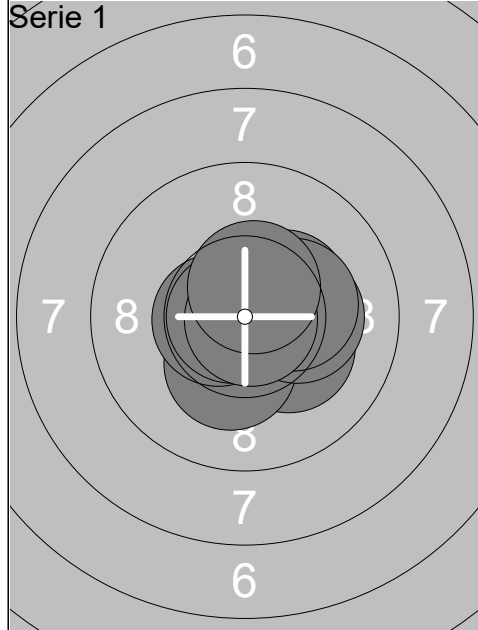


1:	10.7x	→
2:	10.5x	↗
3:	10.2x	↖
4:	10.4x	↙
5:	10.2x	↙
6:	10.5x	↗
7:	10.3x	→
8:	10.5x	↓
9:	10.4x	↙
10:	10.2x	↘
Series	103.9	
	515.3	

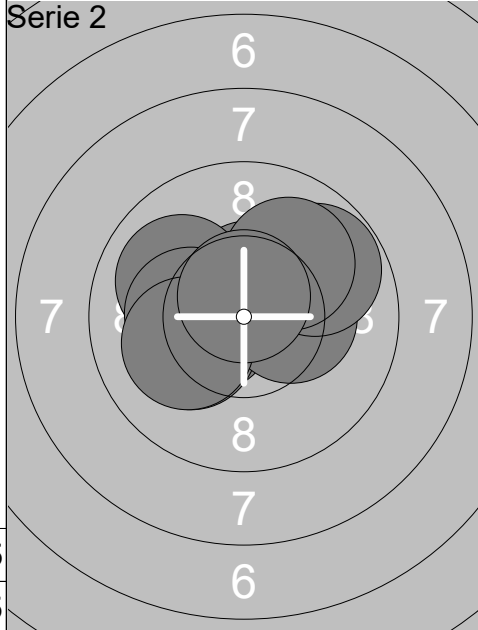


1:	10.5x	↖
2:	10.5x	↓
3:	10.2x	↑
4:	9.7	↙
5:	10.1	→
6:	10.1	↗
7:	10.5x	↓
8:	10.9x	↗
9:	10.4x	↗
10:	10.6x	→
Series	103.5	
	618.8	

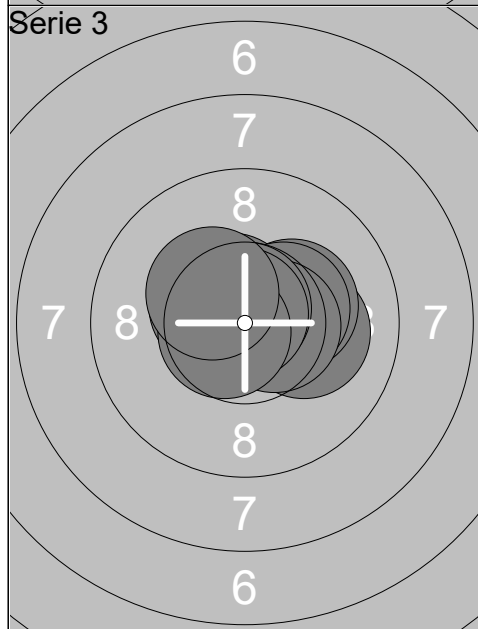
Relay	Lane	Christinna Herskind	
Gundsøllille Megalink OPE	Aalborg Skyttekreds	W	
17.01.2020	GMO2020 Day 1	Gundsøllille OPEN 2020	
Serie 1	1: 10.3x ↘ 2: 9.8 ↘ 3: 10.7x ↑ 4: 10.1 → 5: 10.7x ↘ 6: 10.6x → 7: 10.4x ↓ 8: 10.1 ← 9: 9.7 ← 10: 10.3x ↓ Series 102.7 102.7	Serie 2	1: 10.5x ⇒ 2: 10.6x ↙ 3: 10.8x ↑ 4: 10.3x ↖ 5: 10.2x ↙ 6: 10.2x ↙ 7: 10.1 ↑ 8: 10.3x ↓ 9: 10.3x ↖ 10: 10.0 ↖ Series 103.3 206.0
Serie 3	1: 10.7x ↘ 2: 10.6x ↖ 3: 10.7x ↑ 4: 10.4x ↘ 5: 10.6x ↑ 6: 10.8x → 7: 9.9 ← 8: 10.7x ↑ 9: 10.0 ↗ 10: 10.2x → Series 104.6 310.6	Serie 4	1: 10.8x → 2: 10.7x ↑ 3: 10.7x ↑ 4: 10.4x ↓ 5: 10.6x ↙ 6: 10.2x ↗ 7: 10.6x → 8: 10.7x ↑ 9: 10.5x ↙ 10: 10.2x ↓ Series 105.4 416.0
Serie 5	1: 10.3x ↓ 2: 10.6x ↙ 3: 10.5x → 4: 10.3x → 5: 9.2 ⇒ 6: 10.2x ↙ 7: 9.9 ⇒ 8: 10.6x ↗ 9: 10.6x → 10: 10.2x ↖ Series 102.4 518.4	Serie 6	1: 10.5x ⇒ 2: 10.8x ↗ 3: 10.5x ↑ 4: 10.7x ↙ 5: 10.4x ↗ 6: 10.6x → 7: 10.8x → 8: 10.8x ↗ 9: 10.5x ↙ 10: 10.7x ↘ Series 106.3 624.7



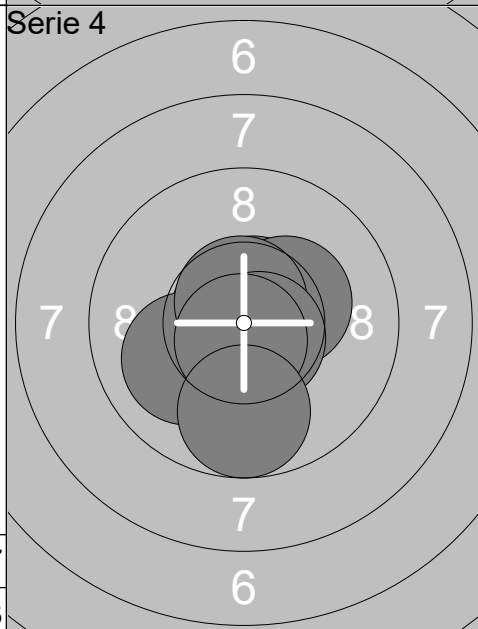
1:	10.4x →
2:	10.2x ↘
3:	10.3x ↓
4:	10.6x ←
5:	10.4x ↗
6:	10.2x →
7:	10.8x ←
8:	10.3x →
9:	10.8x ↘
10:	10.5x ↑
Series	104.5
	104.5



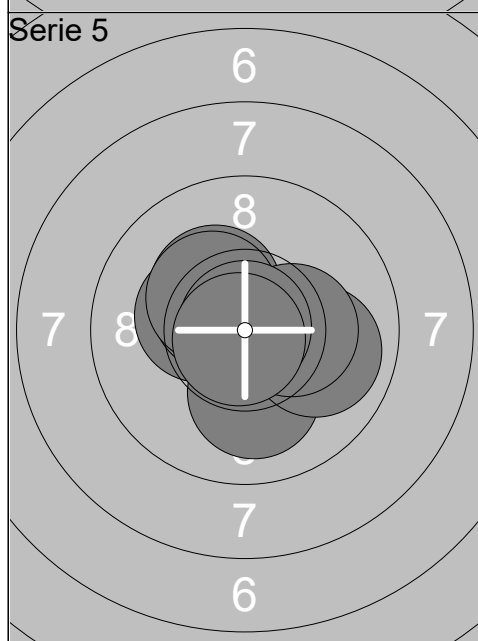
1:	10.5x ↑
2:	10.4x ←
3:	10.1 ←
4:	10.3x →
5:	9.8 ↗
6:	10.0 ↖
7:	10.0 ↗
8:	10.2x ←
9:	10.1 ←
10:	10.7x ↑
Series	102.1
	206.6



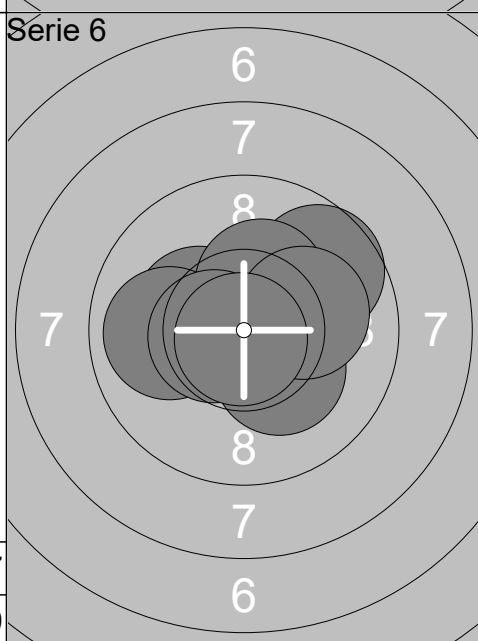
1:	10.1 →
2:	10.2x →
3:	10.6x ↖
4:	10.5x ↖
5:	10.4x →
6:	10.5x →
7:	10.7x ↑
8:	10.8x ↑
9:	10.6x ←
10:	10.3x ↖
Series	104.7
	311.3



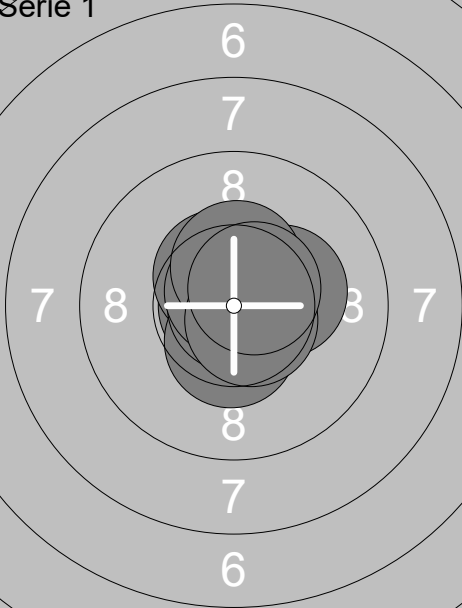
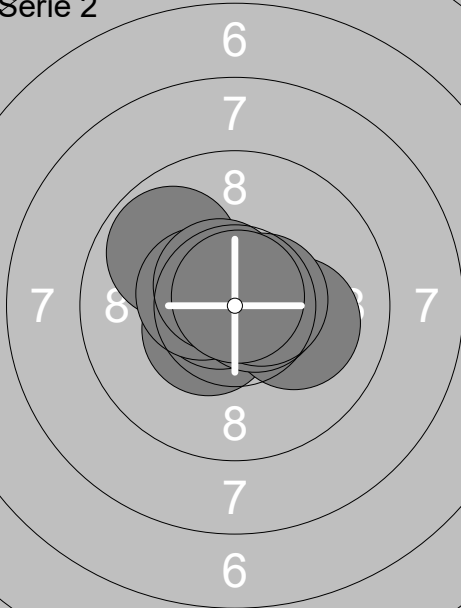
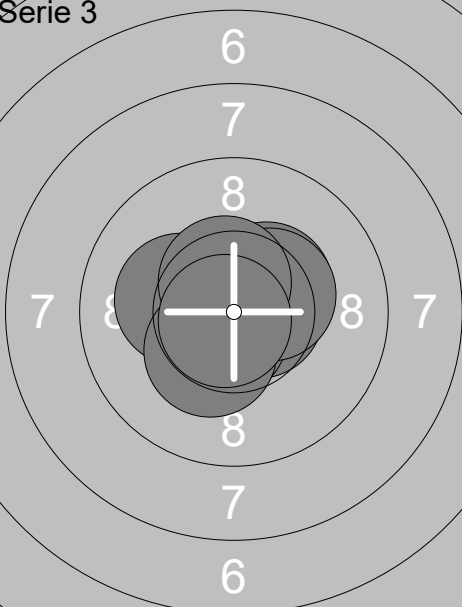
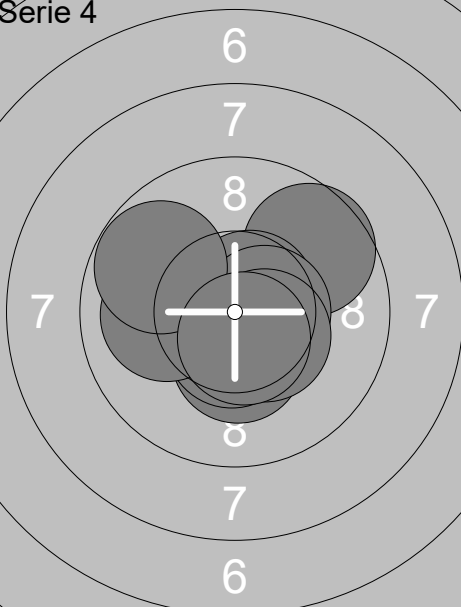
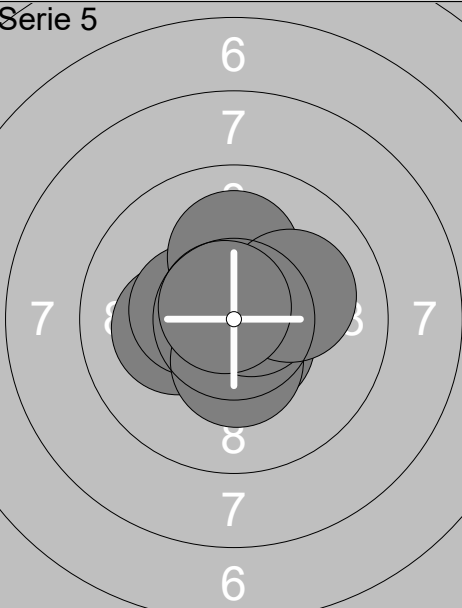
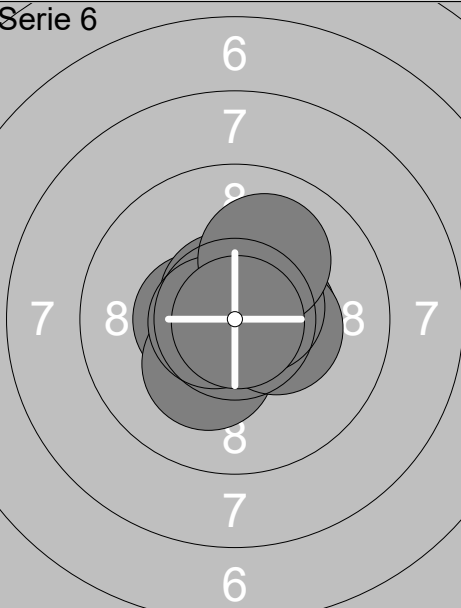
1:	10.8x ←
2:	10.6x ↑
3:	10.7x →
4:	10.8x ←
5:	10.3x →
6:	10.0 ↖
7:	10.7x ↑
8:	10.6x ↘
9:	10.7x ↓
10:	9.7 ↓
Series	104.9
	416.2



1:	10.3x ↖
2:	10.4x ↘
3:	10.1 ↓
4:	10.3x ←
5:	10.4x ↖
6:	9.9 →
7:	10.3x ↖
8:	10.3x →
9:	10.9x ↑
10:	10.8x ↘
Series	103.7
	519.9



1:	10.8x ↑
2:	10.3x ←
3:	10.2x ↗
4:	10.2x ↘
5:	9.7 ↗
6:	10.3x ↑
7:	9.9 ←
8:	10.1 →
9:	10.5x ←
10:	10.8x ↓
Series	102.8
	622.7

Relay	Lane	Anna Skade Nielsen	
3	30	Gundsøllille Megalink OPE	Sørslev Skytteforening
17.01.2020		GMO2020 Day 1	Gundsøllille OPEN 2020
Serie 1			1: 10.8x ↗ 2: 10.8x ← 3: 10.5x ↖ 4: 10.5x ↓ 5: 10.3x → 6: 10.9x 7: 10.7x ↑ 8: 10.4x ↑ 9: 10.6x ↘ 10: 10.5x ↗ Series 106.0 106.0
Serie 2			1: 10.9x 2: 10.4x ↙ 3: 9.8 ↖ 4: 10.7x ← 5: 10.4x ← 6: 10.6x ↖ 7: 10.1 → 8: 10.7x → 9: 10.5x → 10: 10.8x ↑ Series 104.9 210.9
Serie 3			1: 10.4x ← 2: 10.6x → 3: 10.6x ↙ 4: 10.9x ← 5: 10.4x ↗ 6: 10.4x ↗ 7: 10.2x ← 8: 10.5x ↑ 9: 10.3x ↙ 10: 10.8x ↙ Series 105.1 316.0
Serie 4			1: 9.6 ↗ 2: 10.8x ↗ 3: 10.3x ↓ 4: 10.5x ↓ 5: 10.7x ↗ 6: 10.0 ← 7: 10.5x → 8: 10.4x ↘ 9: 9.7 ↖ 10: 10.5x ↓ Series 103.0 419.0
Serie 5			1: 10.8x ↙ 2: 10.1 ← 3: 10.5x ↘ 4: 10.4x ↑ 5: 10.4x ← 6: 10.4x ↓ 7: 10.7x ↗ 8: 10.1 ↑ 9: 10.1 → 10: 10.7x ↖ Series 104.2 523.2
Serie 6			1: 10.4x ← 2: 10.2x ↙ 3: 10.5x → 4: 10.6x → 5: 10.4x → 6: 10.6x ↖ 7: 10.6x ← 8: 10.6x ↗ 9: 10.0 ↑ 10: 10.9x ↘ Series 104.8 628.0