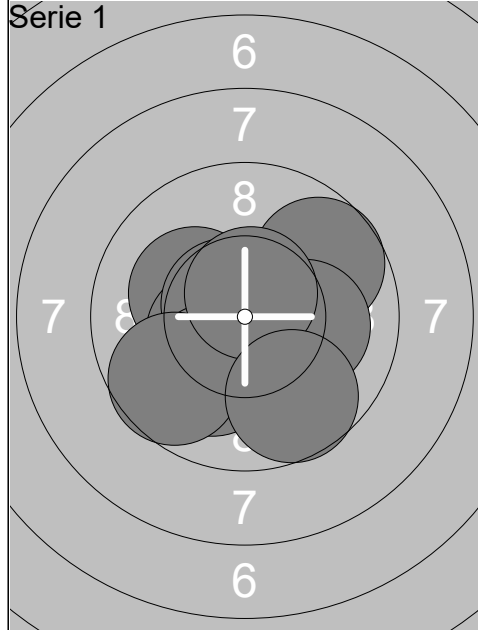


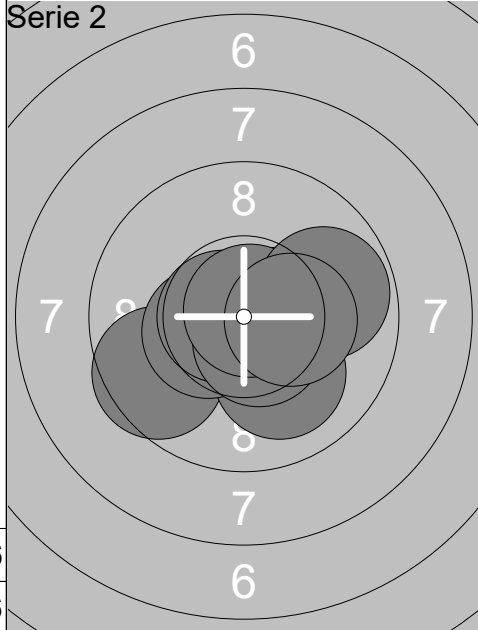
Relay <b>2</b>	Lane <b>4</b>	<b>Bjørn Voigt</b>
-------------------	------------------	--------------------

Gundsøllille Megalink OPE	Randers Skyttekreds	MJ
---------------------------	---------------------	----

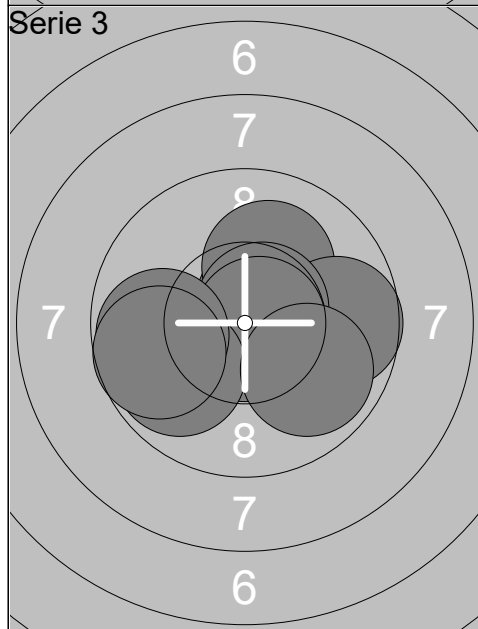
17.01.2020	GMO2020 Day 1	Gundsøllille OPEN 2020
------------	---------------	------------------------



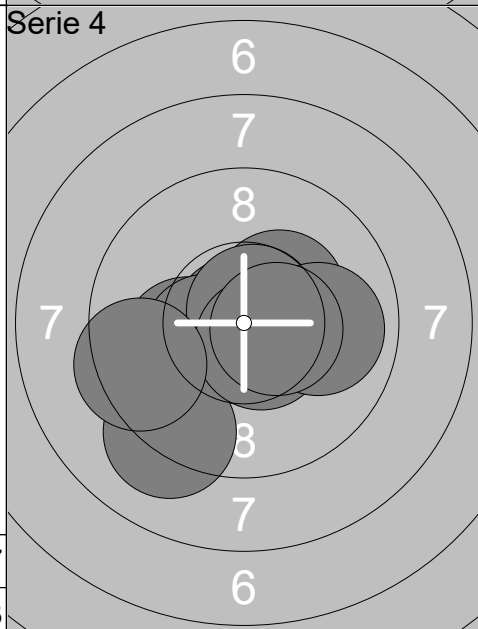
1:	10.2x ↙
2:	9.7 ↗
3:	10.4x ↙
4:	10.6x ↙
5:	10.1 ↓
6:	10.5x →
7:	9.7 ↙
8:	10.1 →
9:	10.6x ↑
10:	9.7 ↓
Series	101.6
	101.6



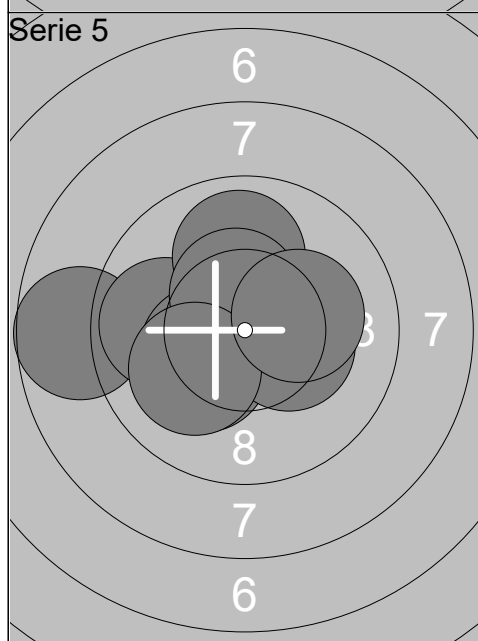
1:	9.5 ↙
2:	10.0 ↓
3:	10.4x ↙
4:	10.6x ↙
5:	10.5x →
6:	10.5x →
7:	10.6x ↓
8:	10.8x ↗
9:	9.8 →
10:	10.3x →
Series	103.0
	204.6



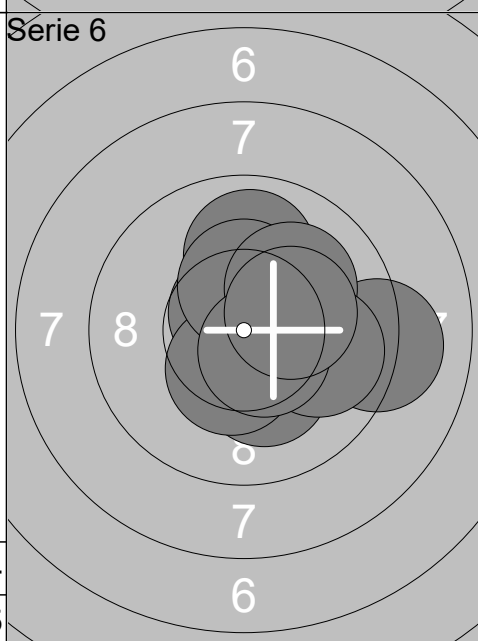
1:	10.6x ↗
2:	10.1 ↗
3:	9.7 →
4:	10.8x ↓
5:	10.6x ↗
6:	10.7x →
7:	9.8 ↙
8:	9.9 ↓
9:	9.8 ↙
10:	9.7 ↙
Series	101.7
	306.3



1:	10.3x ↗
2:	10.1 ↙
3:	10.9x ↙
4:	10.4x ↙
5:	9.1 ↓
6:	10.7x ↗
7:	10.5x ↓
8:	9.9 →
9:	10.5x →
10:	9.4 ↙
Series	101.8
	408.1

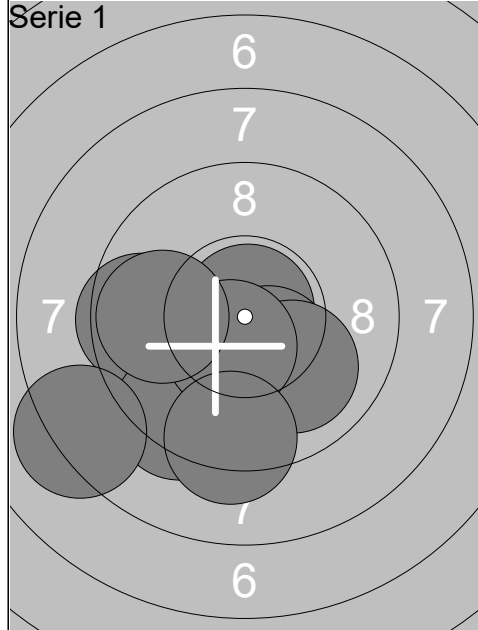


1:	8.7 ↙
2:	10.5x ↙
3:	9.8 ↙
4:	10.3x ↙
5:	10.2x ↙
6:	10.3x →
7:	9.9 ↑
8:	10.4x ↑
9:	10.1 ↙
10:	10.2x →
Series	100.4
	508.5

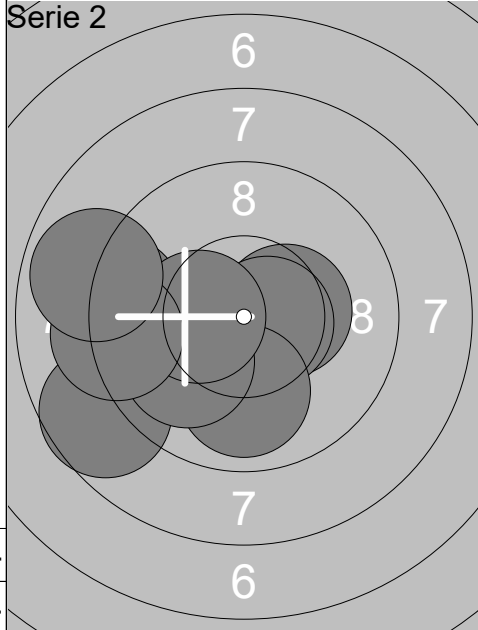


1:	9.1 →
2:	9.9 ↑
3:	10.2x ↓
4:	10.6x ↗
5:	10.4x ↓
6:	10.3x ↑
7:	10.1 ↗
8:	9.9 →
9:	10.5x ↓
10:	10.2x →
Series	101.2
	609.7

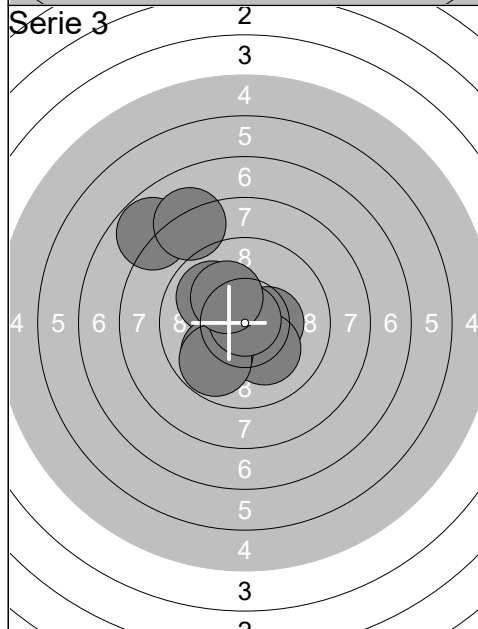
Gundsøllille Megalink Open 2020



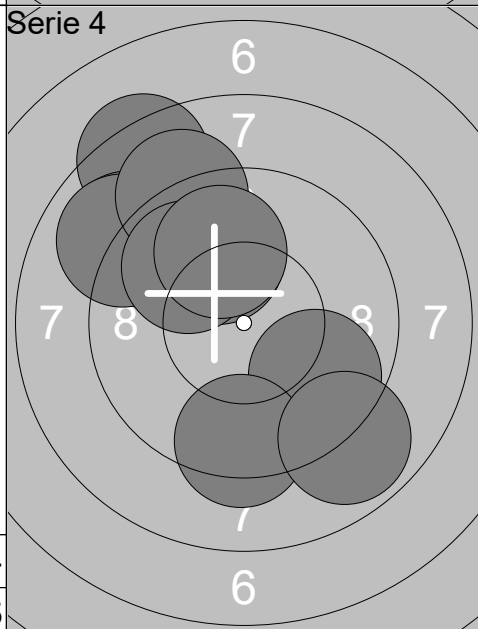
1:	9.5	↓
2:	10.9x	↗
3:	9.5	←
4:	9.3	↓
5:	8.2	↙
6:	10.4x	↘
7:	10.0	↘
8:	10.5x	↘
9:	9.8	←
10:	9.3	↓
<b>Series</b>	<b>97.4</b>	
	<b>97.4</b>	



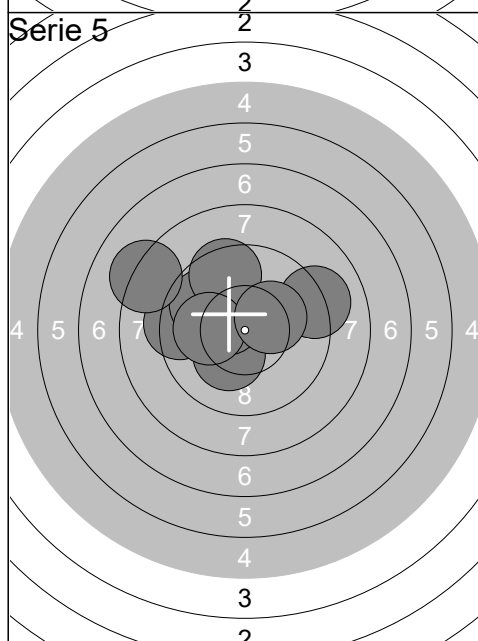
1:	8.7	↙
2:	10.4x	→
3:	10.5x	↘
4:	10.6x	→
5:	9.9	↓
6:	9.2	←
7:	10.0	↙
8:	10.3x	←
9:	9.2	←
10:	8.9	←
<b>Series</b>	<b>97.7</b>	
	<b>195.1</b>	



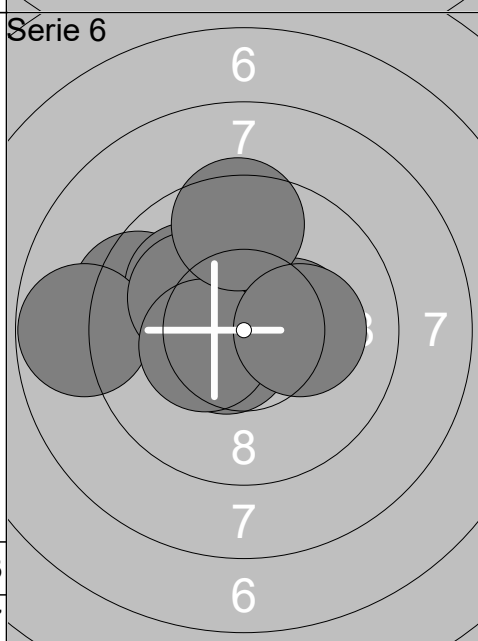
1:	7.8	↖
2:	10.4x	→
3:	10.3x	↘
4:	10.1	↘
5:	9.9	↗
6:	9.9	↘
7:	9.8	↘
8:	10.9x	↑
9:	10.2x	↗
10:	8.1	↗
<b>Series</b>	<b>97.4</b>	
	<b>292.5</b>	



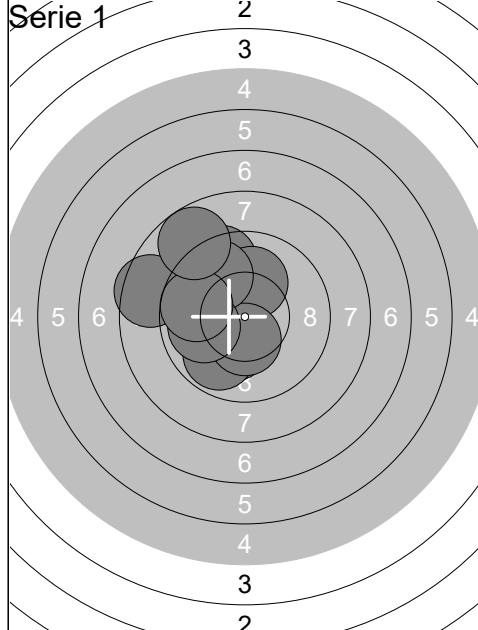
1:	8.3	↗
2:	10.0	↗
3:	9.0	↗
4:	8.9	↗
5:	9.7	↘
6:	9.0	↗
7:	9.9	↗
8:	9.9	↗
9:	9.3	↓
10:	8.9	↘
<b>Series</b>	<b>92.9</b>	
	<b>385.4</b>	



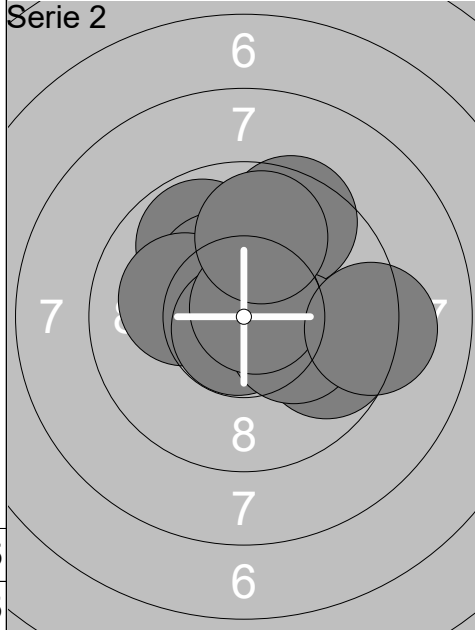
1:	10.6x	↖
2:	9.3	←
3:	10.2x	↘
4:	9.8	↖
5:	9.1	↗
6:	10.4x	↖
7:	9.5	↑
8:	10.0	←
9:	10.2x	↗
10:	8.2	↖
<b>Series</b>	<b>97.3</b>	
	<b>482.7</b>	



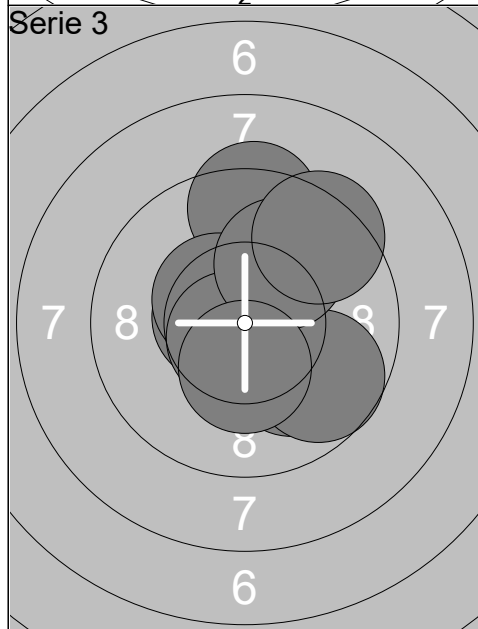
1:	10.3x	→
2:	9.4	←
3:	10.4x	↖
4:	10.0	↖
5:	8.8	←
6:	10.6x	↘
7:	10.1	↖
8:	10.4x	←
9:	9.5	↑
10:	10.2x	→
<b>Series</b>	<b>99.7</b>	
	<b>582.4</b>	



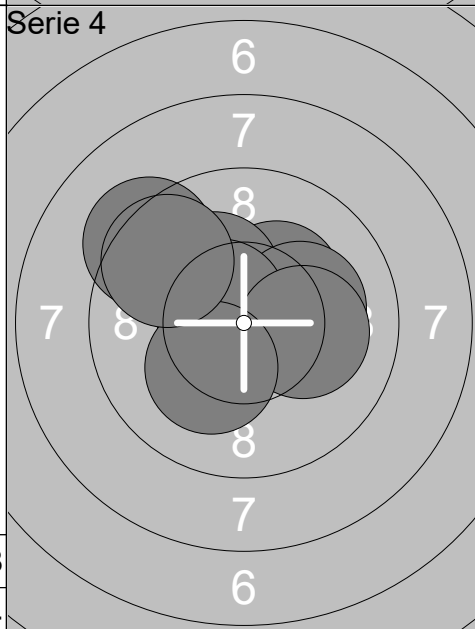
1:	10.2x ↘
2:	8.5 ←
3:	9.5 ↗
4:	9.8 ↘
5:	10.1 ↑
6:	10.4x ↘
7:	9.7 ↗
8:	9.9 ←
9:	9.7 ←
10:	8.7 ↗
<b>Series</b>	<b>96.5</b>
	<b>96.5</b>



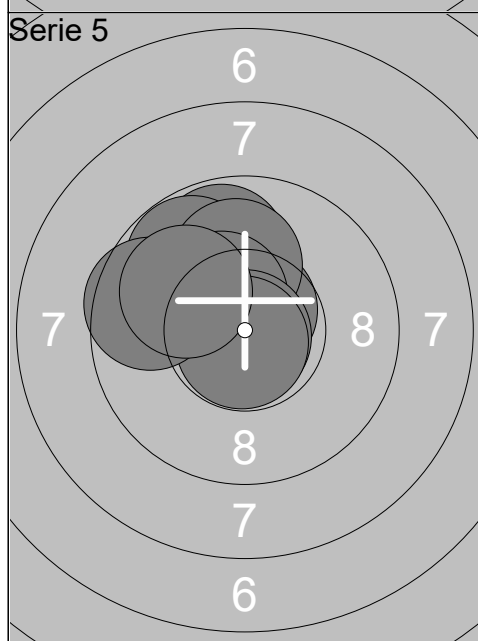
1:	9.8 ↗
2:	10.3x ↗
3:	10.1 ←
4:	9.5 ↗
5:	9.7 →
6:	10.8x ↘
7:	10.2x →
8:	10.7x ↗
9:	9.8 ↑
10:	9.2 →
<b>Series</b>	<b>100.1</b>
	<b>196.6</b>



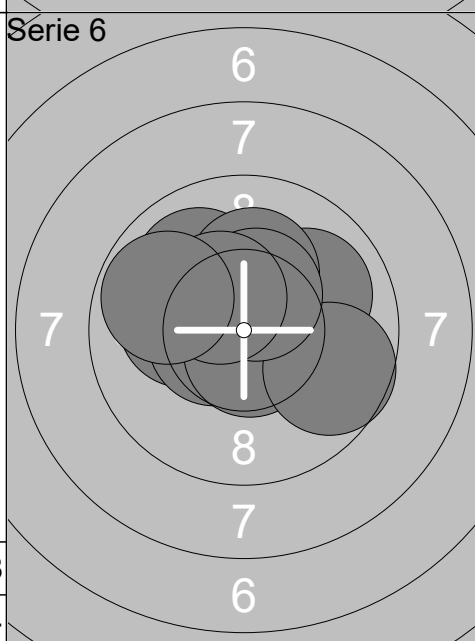
1:	10.3x ↗
2:	10.0 ↘
3:	9.4 ↑
4:	9.7 ↘
5:	10.6x ←
6:	10.5x ↗
7:	10.6x ↘
8:	10.0 ↗
9:	9.4 ↗
10:	10.3x ↘
<b>Series</b>	<b>100.8</b>
	<b>297.4</b>



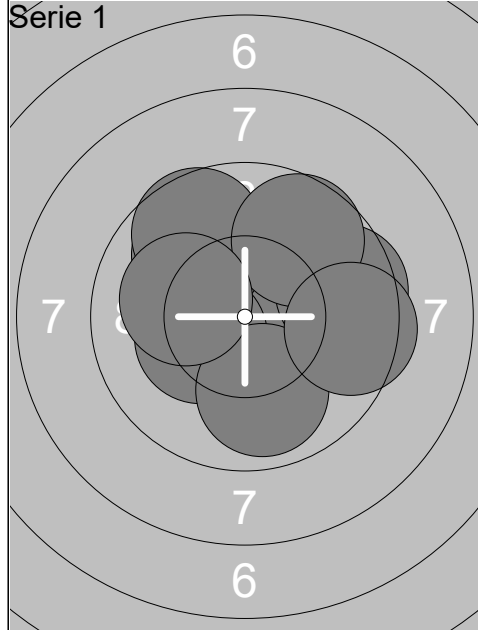
1:	9.2 ↖
2:	10.5x ↗
3:	10.5x ↖
4:	10.3x ↗
5:	10.2x ↖
6:	10.1 →
7:	10.5x ↖
8:	10.1 →
9:	10.2x ↘
10:	9.6 ↖
<b>Series</b>	<b>101.2</b>
	<b>398.6</b>



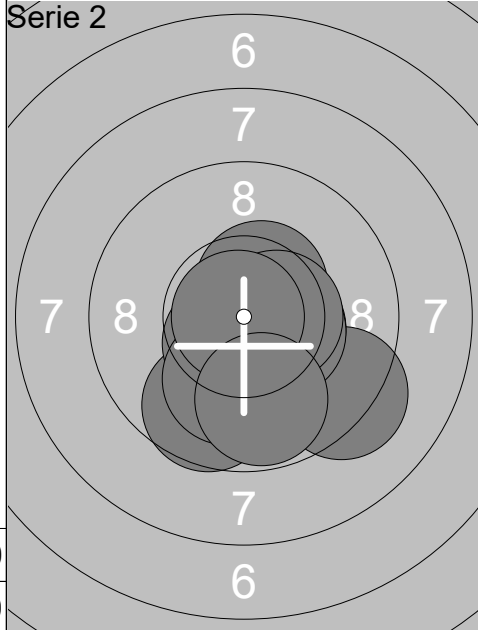
1:	10.9x ↘
2:	9.8 ↑
3:	9.8 ↖
4:	10.7x ↗
5:	10.0 ↑
6:	10.4x ↖
7:	10.9x ↘
8:	10.7x ↘
9:	9.6 ←
10:	10.0 ↖
<b>Series</b>	<b>102.8</b>
	<b>501.4</b>



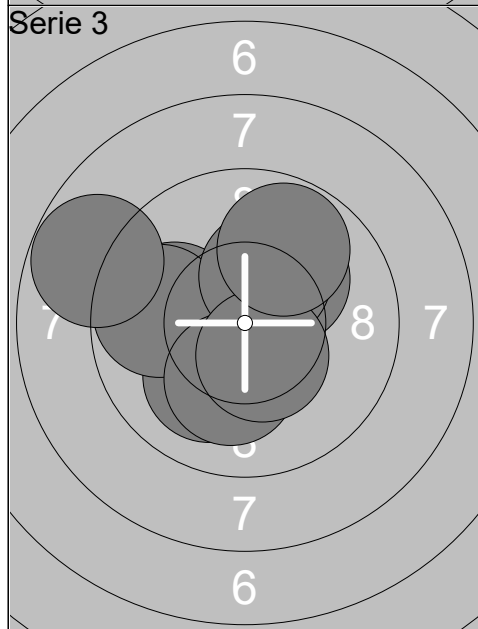
1:	10.1 ←
2:	10.0 ↖
3:	10.5x ←
4:	9.9 ↗
5:	10.1 ↑
6:	10.6x ↘
7:	9.6 →
8:	10.4x ↗
9:	10.4x ↖
10:	9.8 ←
<b>Series</b>	<b>101.4</b>
	<b>602.8</b>



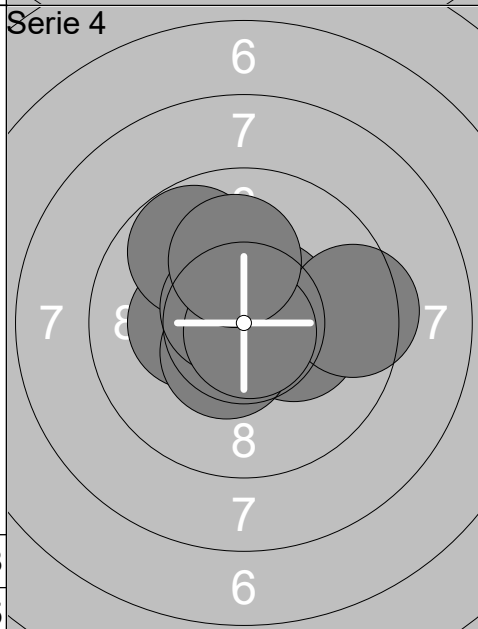
1:	10.1 ↗
2:	10.3x ↗
3:	10.3x ↙
4:	9.9 ↓
5:	9.6 →
6:	9.9 ↗
7:	9.6 ↗
8:	9.7 ↗
9:	10.1 ←
10:	9.5 →
<b>Series</b>	<b>99.0</b>
	<b>99.0</b>



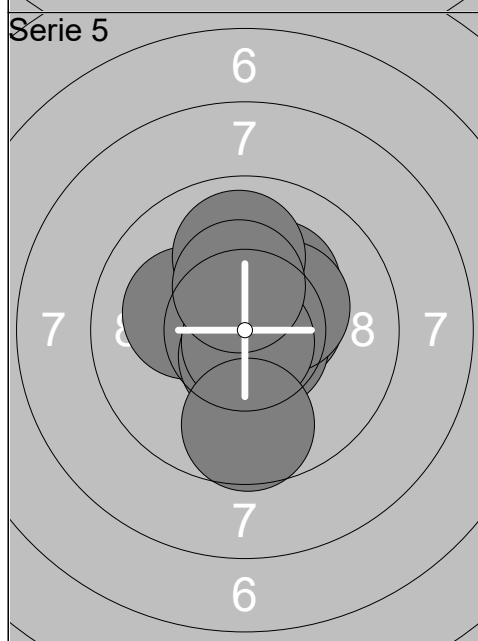
1:	9.6 ↓
2:	10.5x ↓
3:	9.2 ↘
4:	10.4x →
5:	10.4x ↗
6:	10.4x →
7:	10.1 ↓
8:	10.5x →
9:	10.8x ←
10:	9.8 ↓
<b>Series</b>	<b>101.7</b>
	<b>200.7</b>



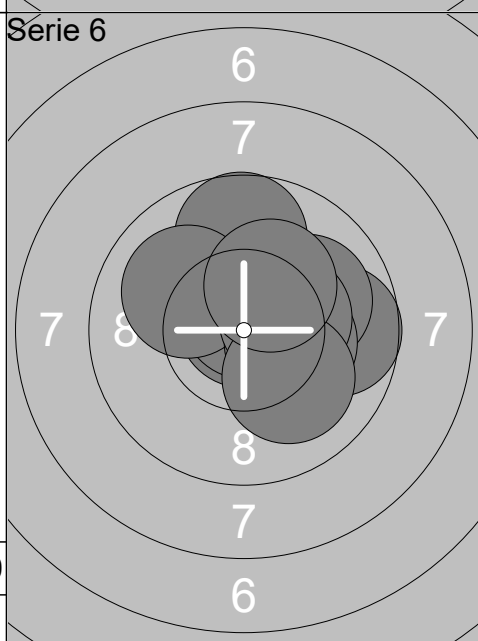
1:	10.5x ↓
2:	10.0 ←
3:	10.0 ↓
4:	10.1 ↗
5:	9.8 ←
6:	10.2x ↓
7:	10.2x ↗
8:	8.8 ←
9:	10.4x ↓
10:	9.8 ↗
<b>Series</b>	<b>99.8</b>
	<b>300.5</b>



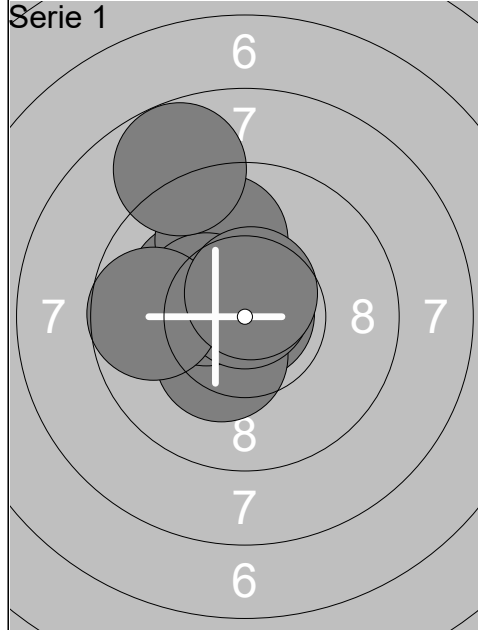
1:	10.2x →
2:	10.2x ←
3:	9.7 ↗
4:	10.5x ↓
5:	10.6x ↗
6:	10.6x ↗
7:	10.5x ↗
8:	9.4 →
9:	10.8x ↓
10:	10.1 ↑
<b>Series</b>	<b>102.6</b>
	<b>403.1</b>



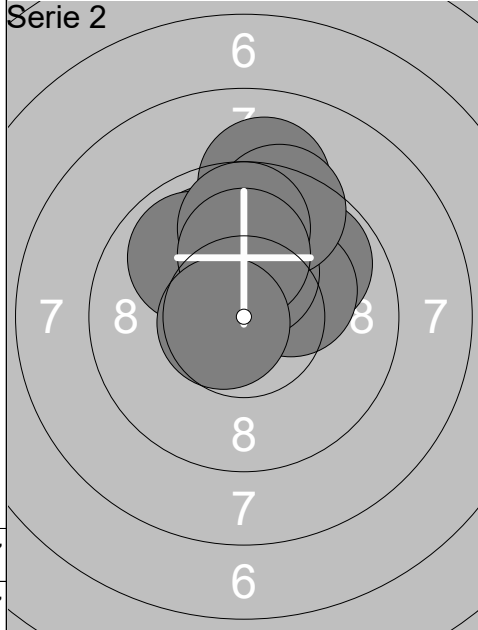
1:	10.1 ←
2:	10.6x ↓
3:	10.2x ↗
4:	10.5x →
5:	10.6x ↘
6:	10.3x ↗
7:	10.8x ↓
8:	9.7 ↓
9:	9.9 ↑
10:	10.3x ↑
<b>Series</b>	<b>103.0</b>
	<b>506.1</b>



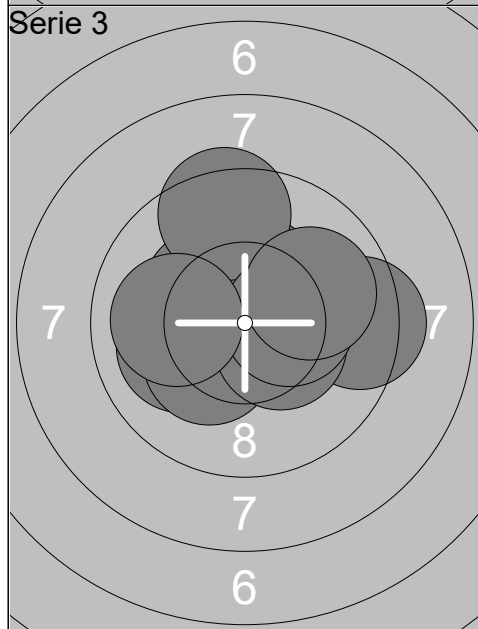
1:	9.7 →
2:	10.8x ↑
3:	10.7x ↑
4:	10.0 →
5:	9.7 ↑
6:	10.0 ↙
7:	10.3x →
8:	10.4x →
9:	10.1 ↓
10:	10.2x ↗
<b>Series</b>	<b>101.9</b>
	<b>608.0</b>



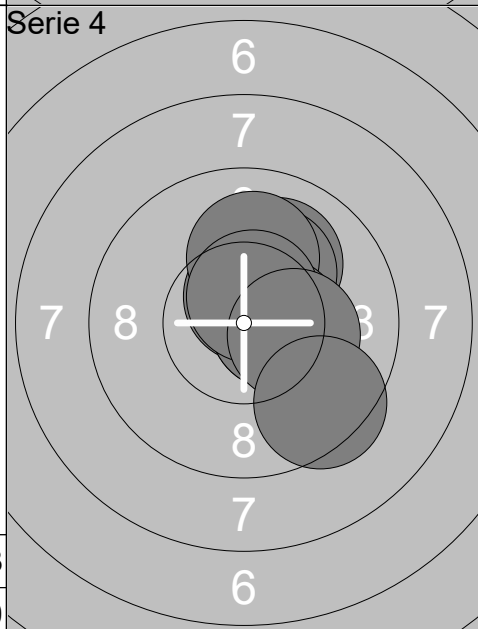
1:	10.4x ↙
2:	10.9x ↗
3:	10.1 ↖
4:	9.9 ↑
5:	10.3x ↘
6:	10.4x ↖
7:	10.7x ↑
8:	9.7 ←
9:	10.6x ↑
10:	8.7 ↗
<b>Series</b>	<b>101.7</b>
	<b>101.7</b>



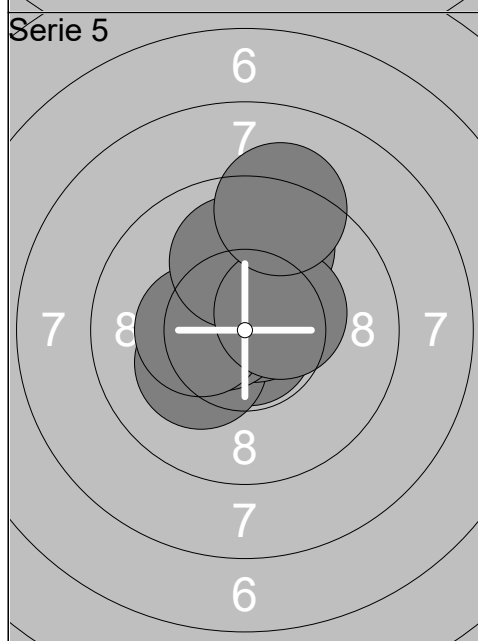
1:	9.1 ↑
2:	9.8 ↗
3:	10.2x ↗
4:	10.3x ↑
5:	9.4 ↑
6:	9.9 ↖
7:	9.9 ↖
8:	9.7 ↑
9:	10.1 ↑
10:	10.6x ↖
<b>Series</b>	<b>99.0</b>
	<b>200.7</b>



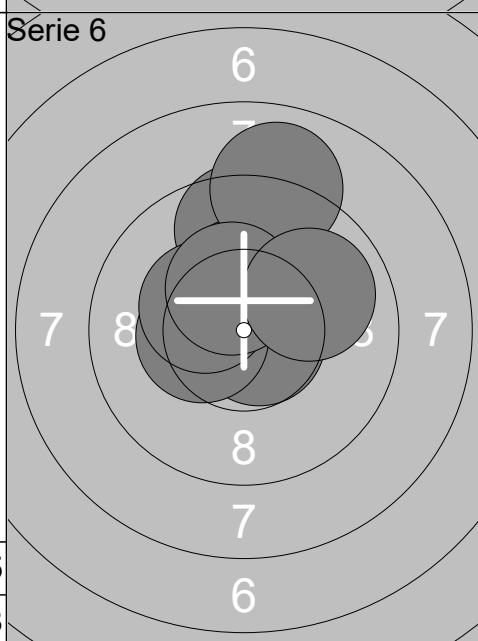
1:	10.0 ←
2:	10.3x ↑
3:	10.2x ↘
4:	9.4 →
5:	10.4x ↘
6:	10.3x ↖
7:	9.4 ↑
8:	10.3x →
9:	10.0 ←
10:	10.0 ↗
<b>Series</b>	<b>100.3</b>
	<b>301.0</b>



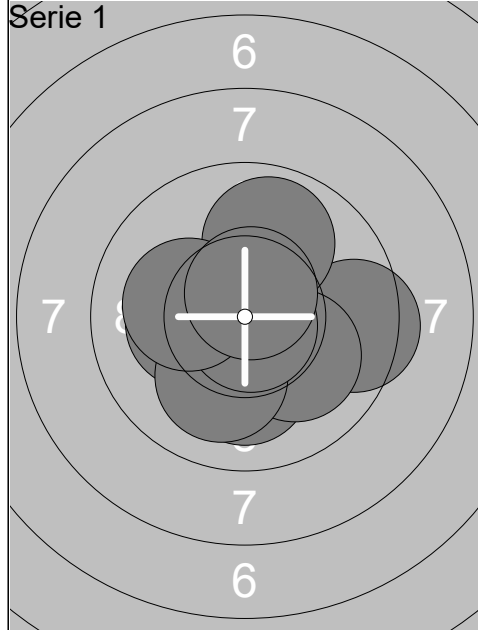
1:	10.0 ↗
2:	10.5x ↑
3:	10.5x ↑
4:	10.5x →
5:	10.2x ↗
6:	10.0 ↑
7:	10.5x →
8:	10.5x ↑
9:	10.2x →
10:	9.4 ↘
<b>Series</b>	<b>102.3</b>
	<b>403.3</b>



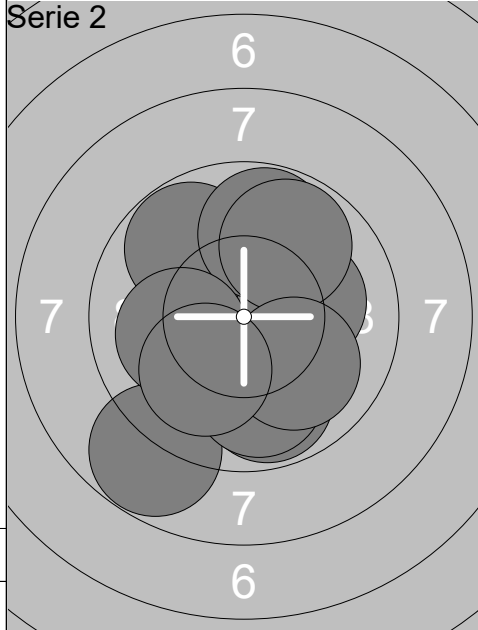
1:	10.8x ↘
2:	10.5x ↖
3:	10.2x ↘
4:	10.7x ↗
5:	9.8 ↑
6:	10.6x ↖
7:	10.3x ↖
8:	10.0 ↑
9:	10.4x ↗
10:	9.2 ↑
<b>Series</b>	<b>102.5</b>
	<b>505.8</b>



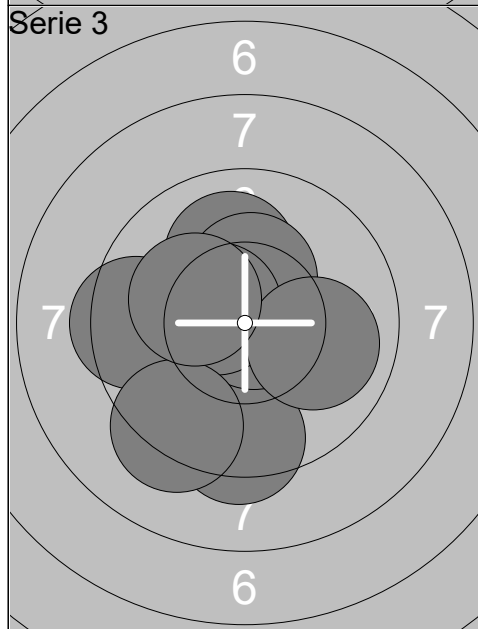
1:	10.4x ↑
2:	9.6 ↑
3:	10.3x ↗
4:	10.7x ↘
5:	10.3x ↑
6:	10.4x ↖
7:	9.0 ↑
8:	10.3x ↖
9:	10.3x ↑
10:	9.9 ↗
<b>Series</b>	<b>101.2</b>
	<b>607.0</b>



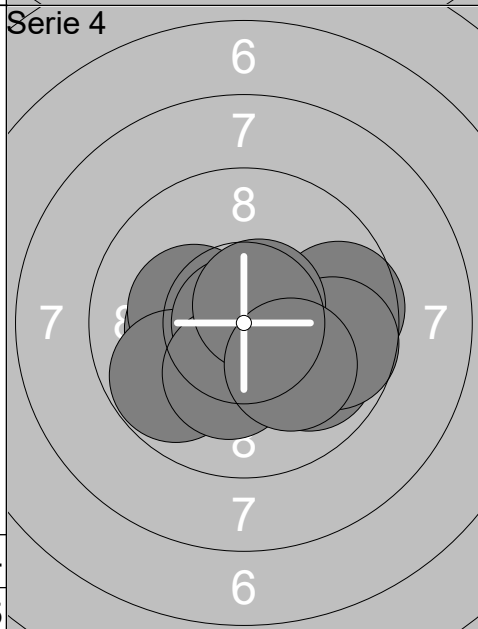
1:	10.8x	⇒
2:	9.4	→
3:	10.2x	←
4:	10.1	↓
5:	10.1	↘
6:	10.1	↓
7:	10.8x	↘
8:	9.9	↑
9:	10.1	←
10:	10.6x	↑
<b>Series</b>		<b>102.1</b>
		<b>102.1</b>



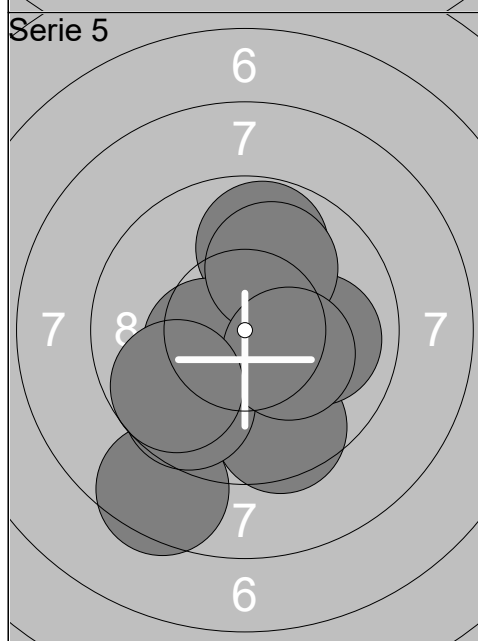
1:	10.1	→
2:	9.8	↓
3:	9.8	↗
4:	9.8	↑
5:	9.8	↗
6:	8.8	↓
7:	9.9	↓
8:	10.0	↘
9:	10.0	←
10:	10.0	↓
<b>Series</b>		<b>98.0</b>
		<b>200.1</b>



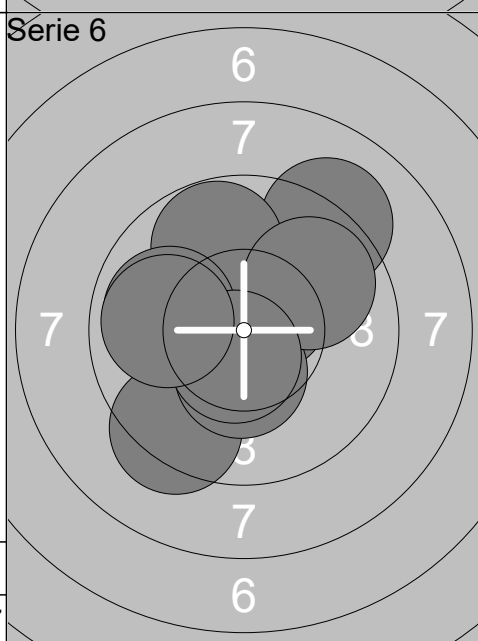
1:	10.4x	←
2:	9.5	←
3:	10.0	↑
4:	9.4	↓
5:	10.8x	→
6:	10.3x	↑
7:	10.5x	↖
8:	10.0	→
9:	9.3	↓
10:	10.2x	↖
<b>Series</b>		<b>100.4</b>
		<b>300.5</b>



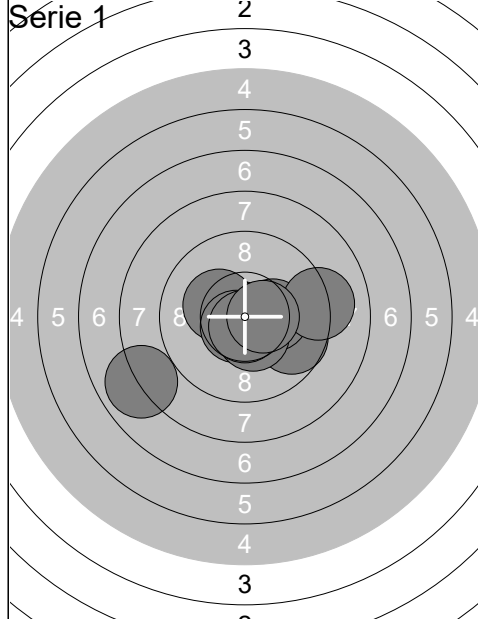
1:	10.2x	←
2:	10.2x	←
3:	9.6	→
4:	9.9	↘
5:	9.8	↖
6:	10.8x	←
7:	9.7	→
8:	10.2x	↓
9:	10.6x	↗
10:	10.1	↘
<b>Series</b>		<b>101.1</b>
		<b>401.6</b>



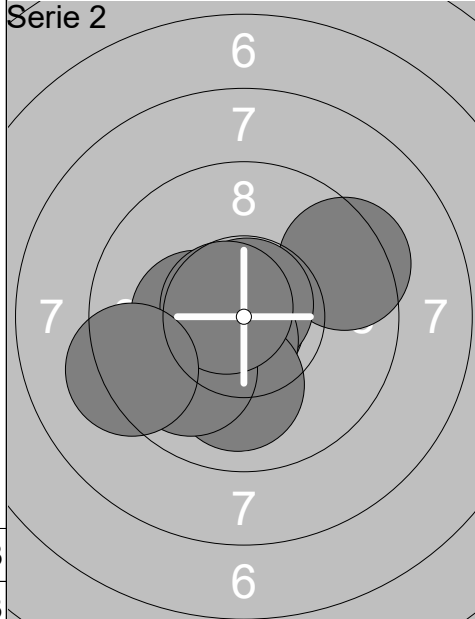
1:	10.3x	↘
2:	9.5	↓
3:	8.5	↓
4:	9.8	↑
5:	10.4x	←
6:	9.7	↓
7:	10.0	→
8:	10.0	↑
9:	10.2x	↘
10:	9.7	↖
<b>Series</b>		<b>98.1</b>
		<b>499.7</b>



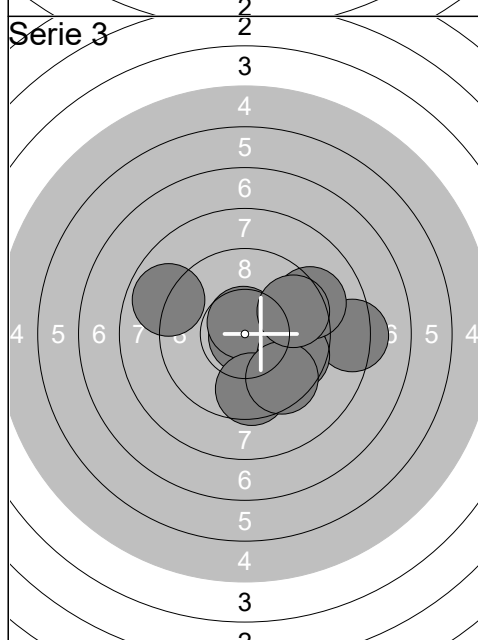
1:	9.3	↓
2:	10.8x	↖
3:	9.1	↗
4:	10.5x	↗
5:	9.8	↑
6:	10.4x	↓
7:	9.9	←
8:	9.8	↗
9:	10.5x	↓
10:	9.9	←
<b>Series</b>		<b>100.0</b>
		<b>599.7</b>



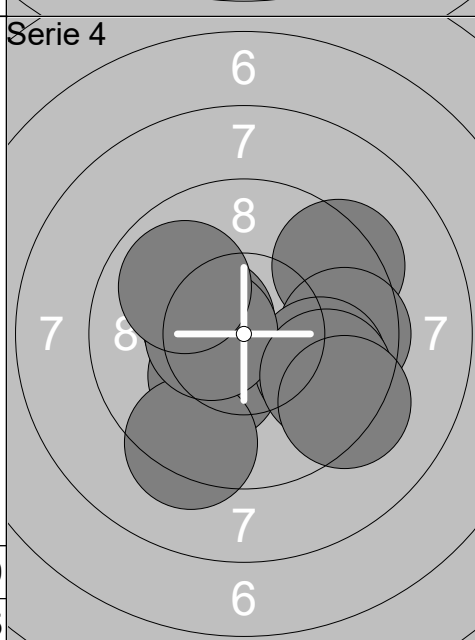
1:	10.9x ↙
2:	7.9 ↙
3:	10.2x ↙
4:	9.7 ➔
5:	10.6x ↙
6:	10.2x ➔
7:	9.1 ➔
8:	10.5x ↙
9:	10.7x ↙
10:	10.5x ➔
<b>Series</b>	<b>100.3</b>
	100.3



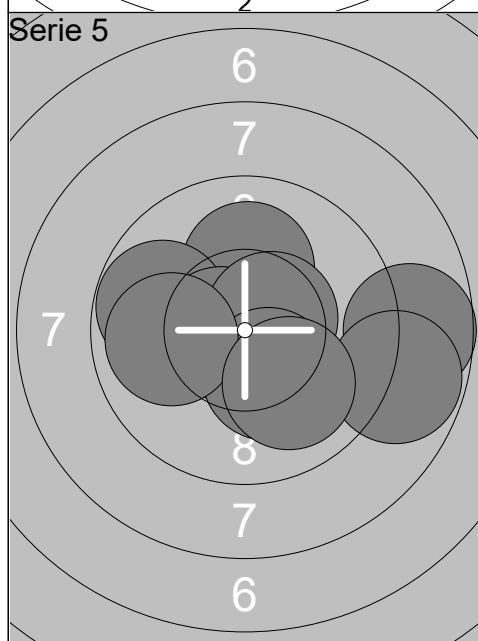
1:	10.8x ↙
2:	10.4x ←
3:	9.4 ➔
4:	10.8x ↑
5:	10.6x ↙
6:	10.3x ←
7:	10.0 ↓
8:	9.9 ↙
9:	10.7x ↙
10:	9.3 ↙
<b>Series</b>	<b>102.2</b>
	202.5



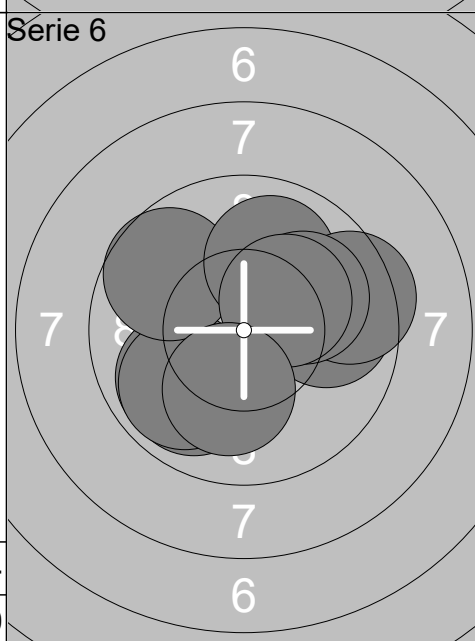
1:	8.3 ➔
2:	10.9x ↓
3:	9.9 ➔
4:	10.6x ↑
5:	9.6 ➔
6:	9.1 ➔
7:	9.6 ↓
8:	8.9 ↙
9:	9.5 ↙
10:	9.6 ➔
<b>Series</b>	<b>96.0</b>
	298.5



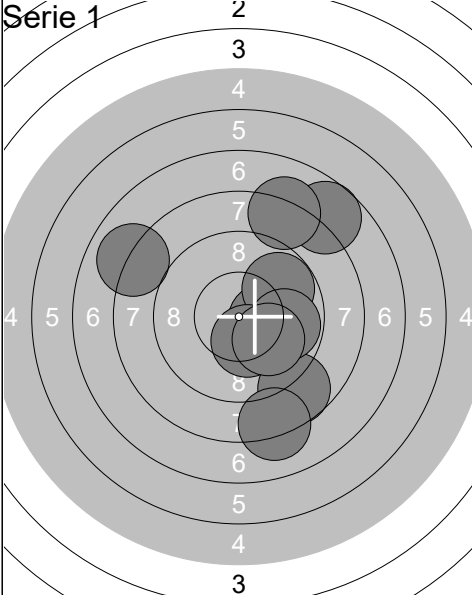
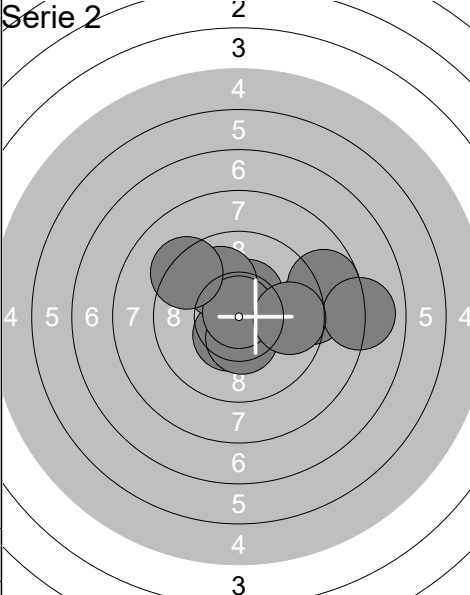
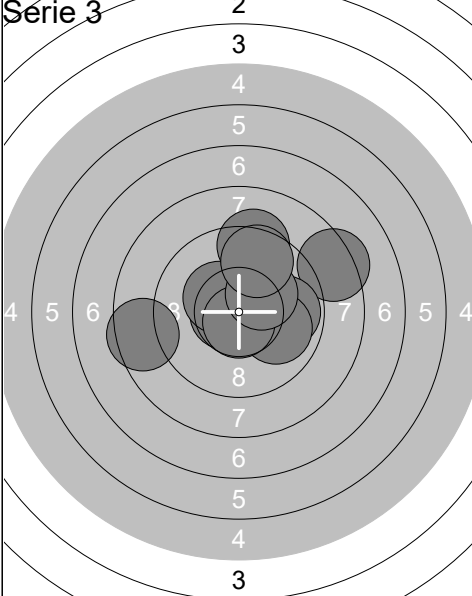
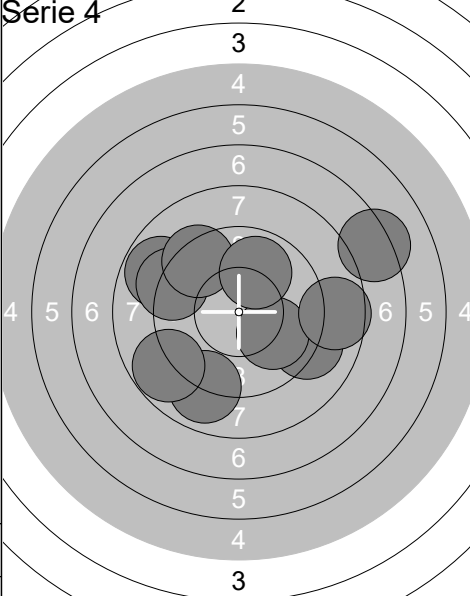
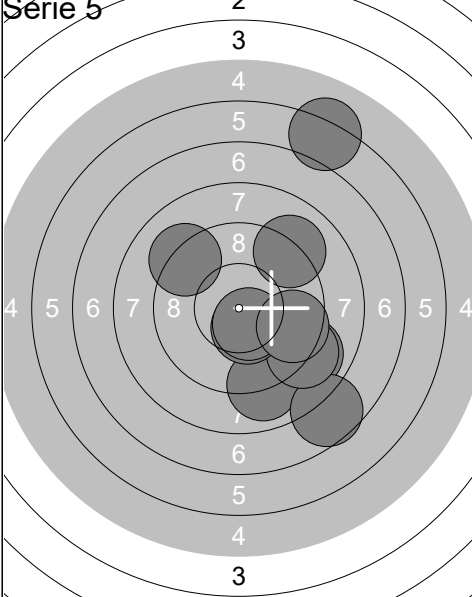
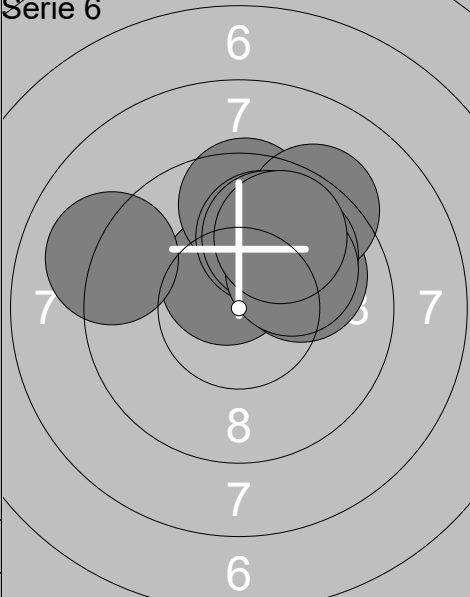
1:	9.4 ➔
2:	10.4x ←
3:	10.2x ↙
4:	9.3 ↓
5:	9.6 ➔
6:	9.8 ➔
7:	10.5x ←
8:	9.7 ➔
9:	9.3 ↙
10:	9.9 ↙
<b>Series</b>	<b>98.1</b>
	396.6



1:	10.8x ←
2:	10.1 ↑
3:	9.8 ←
4:	10.6x ←
5:	8.7 ➔
6:	10.5x ➔
7:	10.2x ↙
8:	9.9 ←
9:	8.8 ➔
10:	10.0 ↙
<b>Series</b>	<b>99.4</b>
	496.0



1:	9.9 ↙
2:	9.9 ↙
3:	9.8 ↙
4:	9.7 ↙
5:	9.8 ➔
6:	9.9 ↑
7:	9.4 ➔
8:	10.0 ➔
9:	10.2x ➔
10:	10.1 ↓
<b>Series</b>	<b>98.7</b>
	594.7

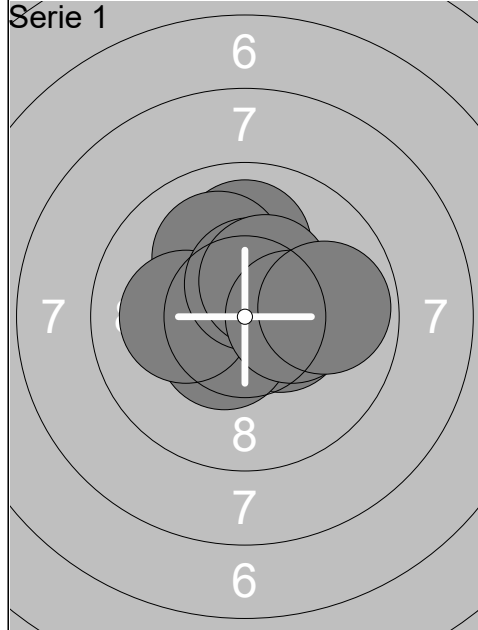
Relay	Lane	Kasper Lousdal			
Gundsøllille Megalink OPE	Boddum-Ydby Skytteforening	MJ			
17.01.2020	GMO2020 Day 1	Gundsøllille OPEN 2020			
Série 1		1: 10.3x →	Série 2		1: 10.4x ↗
		2: 8.7 ↘			2: 10.4x ↘
		3: 8.2 ↘			3: 10.0 ↖
		4: 9.7 ↗			4: 10.4x ↘
		5: 9.8 →			5: 9.2 →
		6: 10.3x ↘			6: 8.7 →
		7: 8.0 ↖			7: 8.0 →
		8: 7.7 ↗			8: 10.8x ↑
		9: 10.0 ↘			9: 9.7 →
		10: 8.1 ↗			10: 9.3 ↖
	Series	90.8		Series	96.9
		90.8			187.7
Série 3		1: 8.3 →	Série 4		1: 8.8 ↖
		2: 10.6x ←			2: 9.2 ↖
		3: 10.3x ↖			3: 7.2 →
		4: 9.8 →			4: 9.1 →
		5: 9.9 →			5: 8.9 ↘
		6: 10.7x ↘			6: 8.8 ↖
		7: 10.2x ↗			7: 9.3 ↖
		8: 9.3 ↑			8: 9.9 ↘
		9: 8.5 ←			9: 9.9 ↑
		10: 9.6 ↑			10: 8.6 →
	Series	97.2		Series	89.7
		284.9			374.6
Série 5		1: 8.9 ↘	Série 6		1: 10.5x ↗
		2: 9.1 ↗			2: 9.5 ↑
		3: 9.0 ↘			3: 10.0 →
		4: 7.6 ↘			4: 9.9 ↑
		5: 9.1 ↗			5: 9.3 ↗
		6: 6.1 ↑			6: 9.1 ↖
		7: 9.0 ↘			7: 9.9 ↗
		8: 10.4x ↘			8: 9.9 ↑
		9: 10.5x ↘			9: 10.0 →
		10: 9.5 →			10: 9.8 ↑
	Series	89.2		Series	97.9
		463.8			561.7



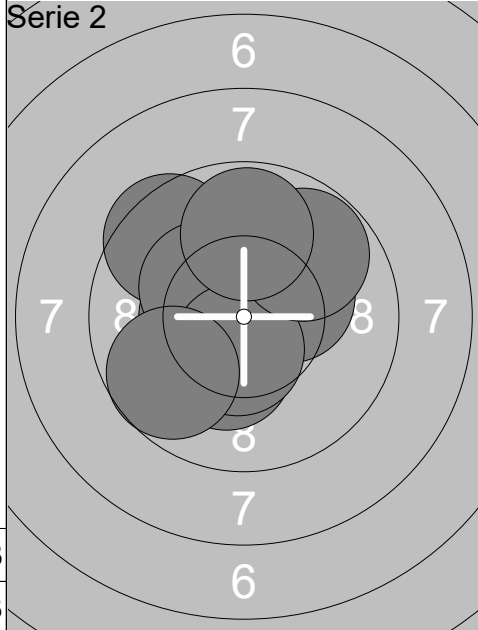
Relay <b>2</b>	Lane <b>12</b>	<b>Marcus Ekdahl</b>
-------------------	-------------------	----------------------

Gundsøllille Megalink OPE	Åkarps Sportskyttar	MJ
---------------------------	---------------------	----

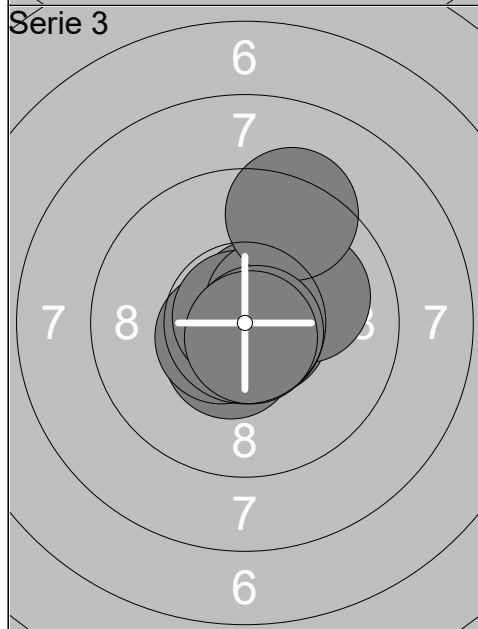
17.01.2020	GMO2020 Day 1	Gundsøllille OPEN 2020
------------	---------------	------------------------



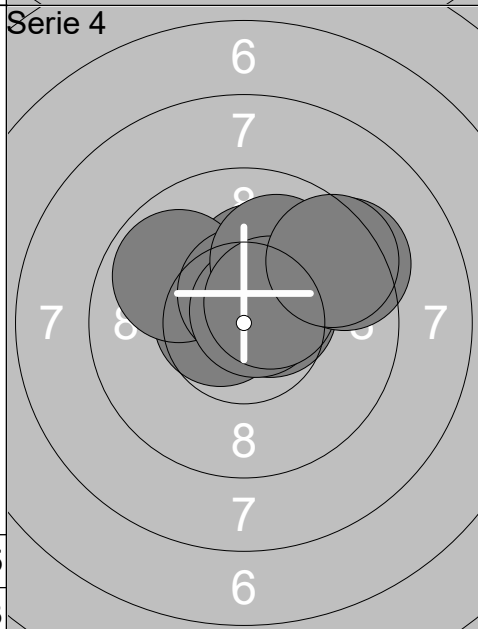
1:	10.4x →
2:	10.4x →
3:	10.0 ↑
4:	10.0 ↗
5:	10.4x ↘
6:	10.1 ←
7:	10.5x ↑
8:	10.4x ↗
9:	10.3x →
10:	9.8 →
Series	102.3
	102.3



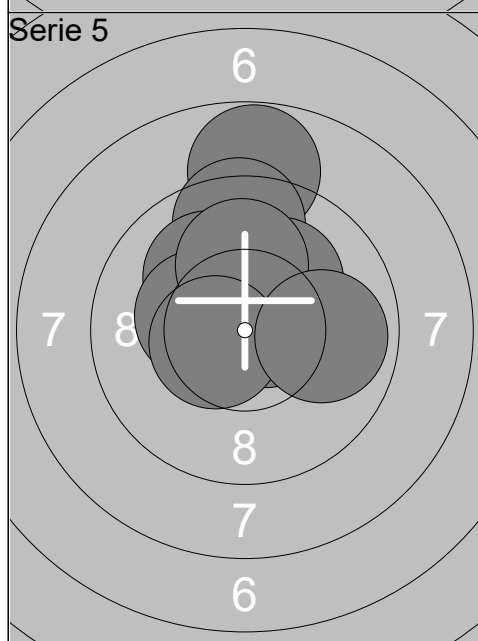
1:	10.2x ↘
2:	10.4x ←
3:	9.5 ↖
4:	10.0 ↑
5:	10.3x ↖
6:	10.3x →
7:	10.5x ↓
8:	9.7 ↙
9:	9.8 ↗
10:	9.8 ↑
Series	100.5
	202.8



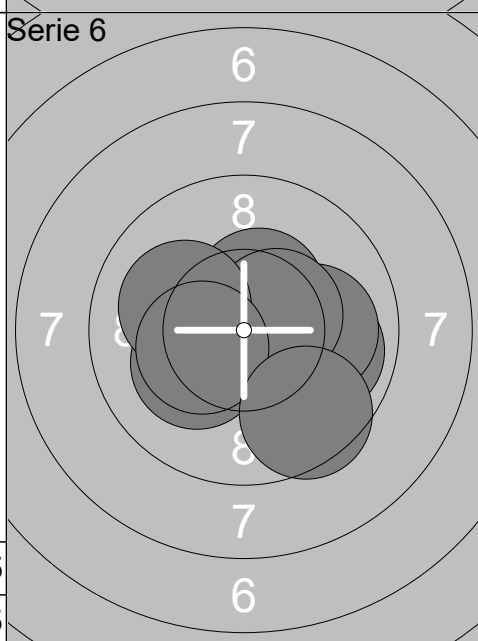
1:	10.6x ↗
2:	10.5x ↘
3:	10.7x →
4:	10.6x ↙
5:	10.8x ↖
6:	10.5x ↗
7:	10.1 →
8:	9.3 ↑
9:	10.7x ↘
10:	10.7x ↓
Series	104.5
	307.3



1:	10.2x ↑
2:	10.6x ←
3:	9.9 ↖
4:	10.5x ↑
5:	10.5x →
6:	10.7x ↗
7:	10.0 ↑
8:	10.5x ↗
9:	9.3 ↗
10:	9.5 ↗
Series	101.7
	409.0

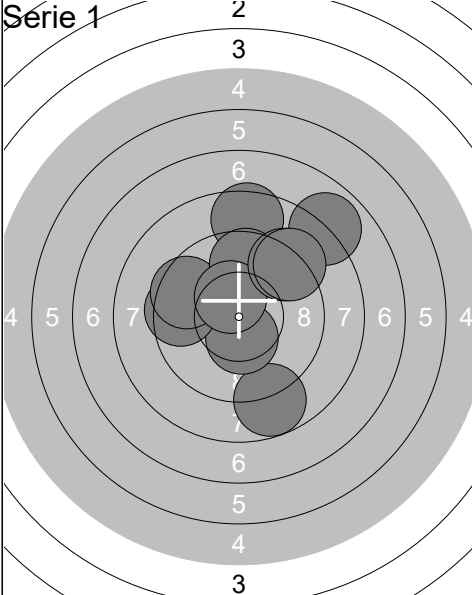
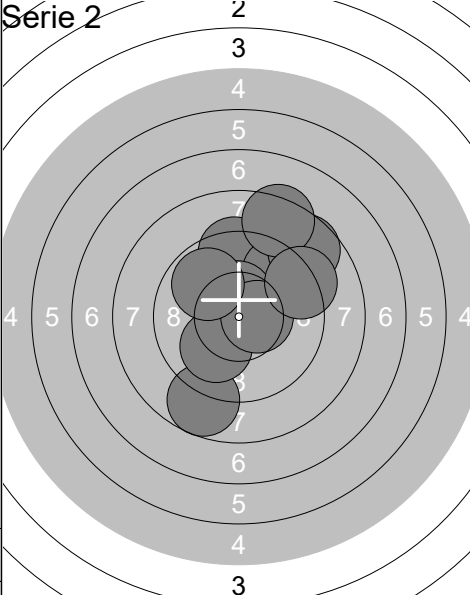
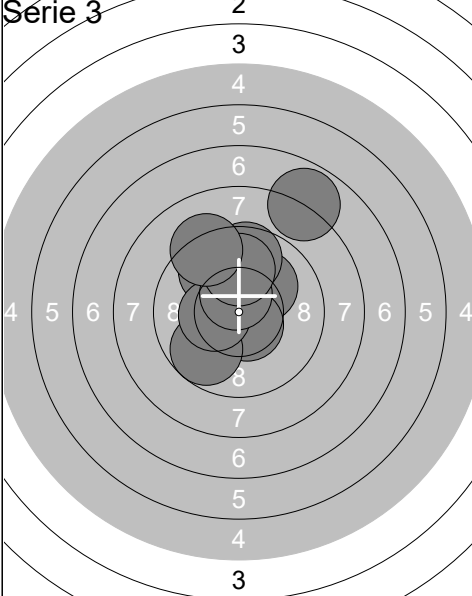
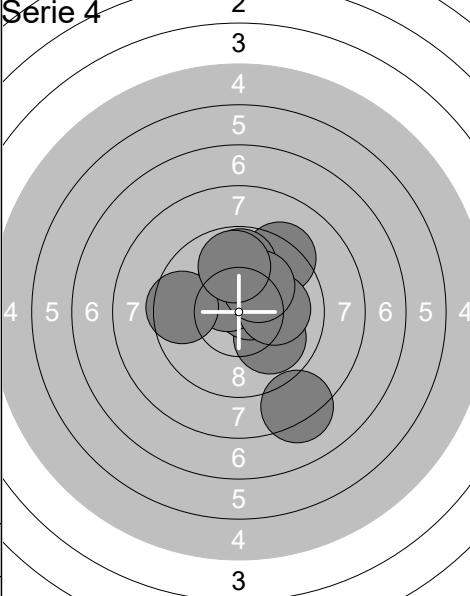
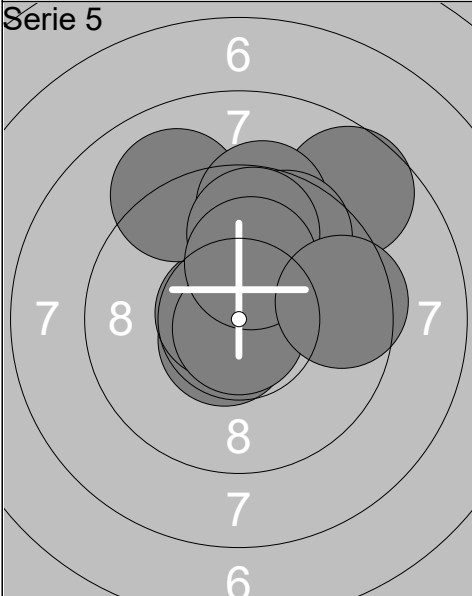
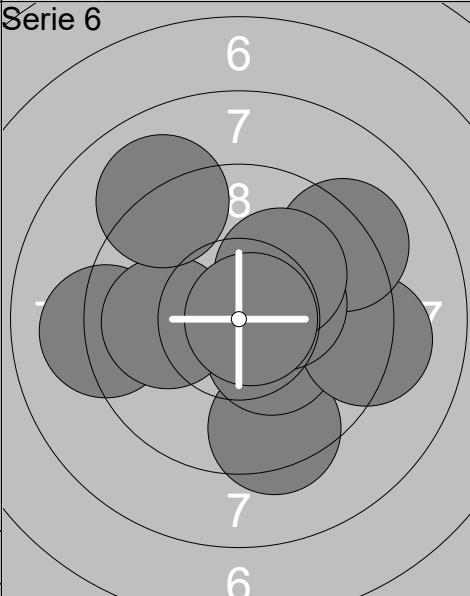


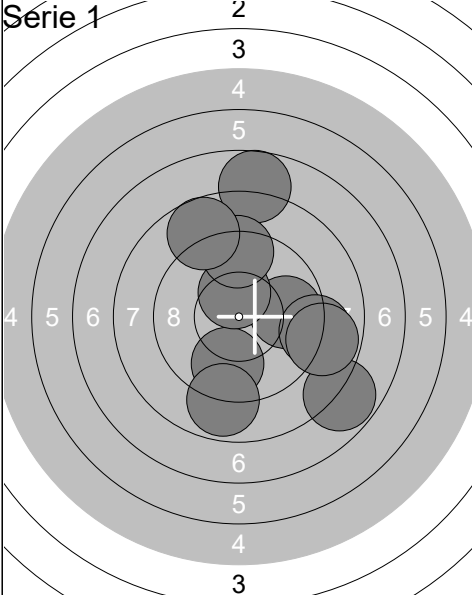
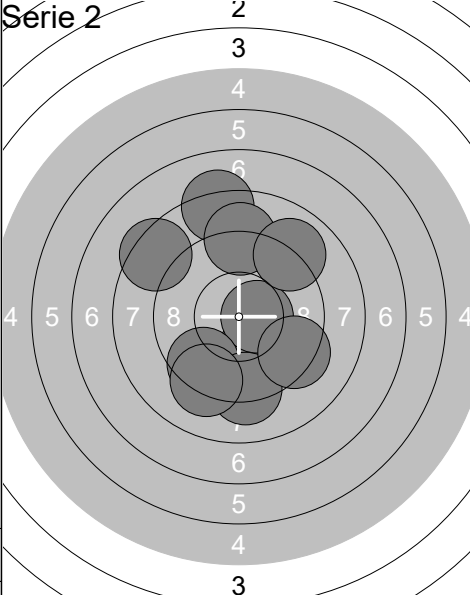
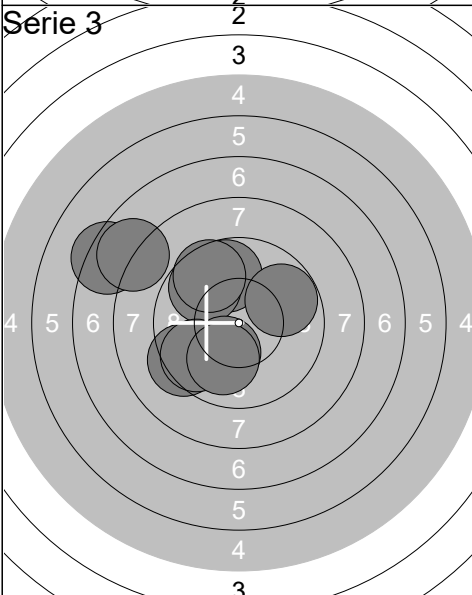
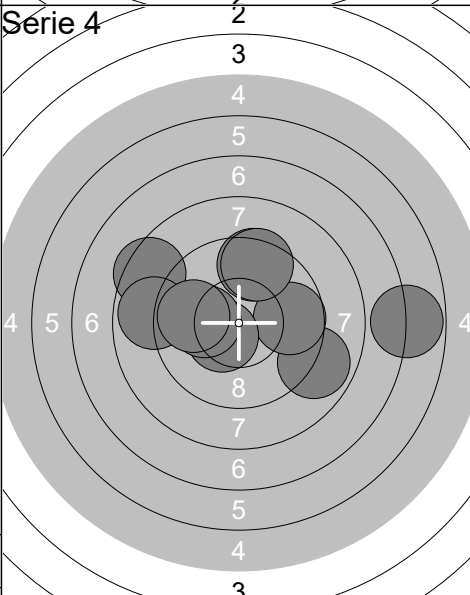
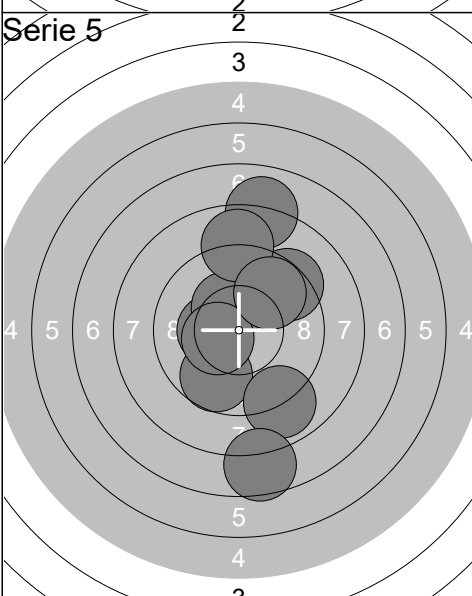
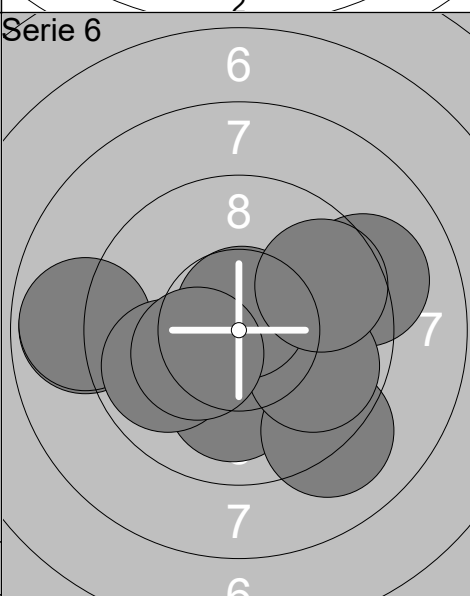
1:	8.8 ↑
2:	9.5 ↑
3:	10.1 ↗
4:	10.6x →
5:	10.0 ↖
6:	10.7x ↖
7:	10.3x ←
8:	10.1 ↑
9:	10.5x ←
10:	9.9 →
Series	100.5
	509.5

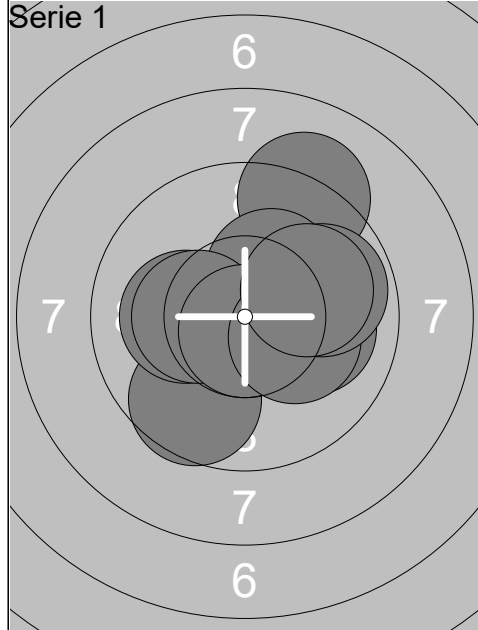


1:	9.9 →
2:	10.7x ←
3:	10.1 ↙
4:	10.5x →
5:	10.0 →
6:	10.4x ↑
7:	10.4x →
8:	10.1 ←
9:	10.3x ←
10:	9.5 ↘
Series	101.9
	611.4

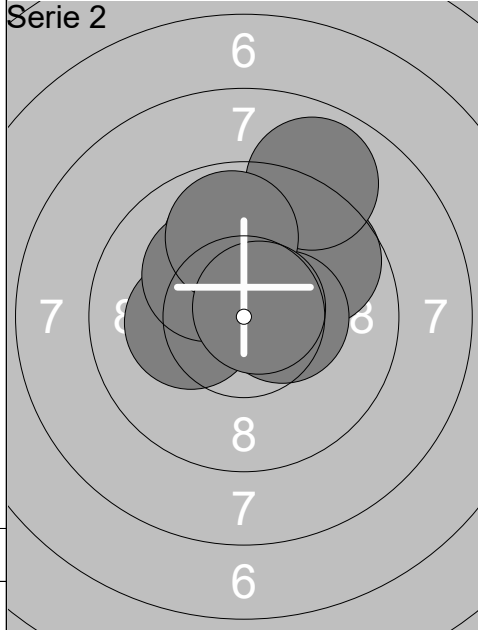
Gundsøllille Megalink Open 2020

Relay	Lane	Mikkel Kannik			
Gundsøllille Megalink OPE	Ølstykke Skytteforening	MJ			
17.01.2020	GMO2020 Day 1	Gundsøllille OPEN 2020			
Série 1		1: 7.9 ↗	Série 2		1: 8.7 ↓
		2: 8.7 ↓		2: 9.4 ↑	
		3: 10.4x ↓		3: 9.5 ↗	
	4: 8.5 ↑		4: 10.4x ↑	4: 10.0 ↓	
	5: 9.5 ←		5: 10.5x →	6: 10.5x →	
	6: 9.5 ←		7: 8.6 ↗	7: 8.6 ↗	
	7: 9.7 ↑		8: 9.8 ↖	8: 9.8 ↖	
	8: 10.4x ↖		9: 8.4 ↑	9: 8.4 ↑	
	9: 9.2 ↗		10: 9.2 ↗	10: 9.2 ↗	
	10: 9.1 ↗				
	Series 92.9		Series 94.5		
	92.9		187.4		
Série 3		1: 9.8 ↖	Série 4		1: 8.2 ↓
		2: 10.1 ↗		2: 9.9 ↓	
		3: 10.5x ↓		3: 10.6x ↗	3: 10.6x ↗
	4: 9.7 ↓		4: 10.5x ↖	4: 10.5x ↖	
	5: 10.3x ←		5: 9.3 ↗	5: 9.3 ↗	
	6: 10.5x ↑		6: 10.0 →	6: 10.0 →	
	7: 9.6 ↑		7: 9.8 ↑	7: 9.8 ↑	
	8: 9.9 ↑		8: 10.1 ↗	8: 10.1 ↗	
	9: 7.8 ↗		9: 9.5 ←	9: 9.5 ←	
	10: 9.2 ↖		10: 9.8 ↑	10: 9.8 ↑	
	Series 97.4		Series 97.7		
	284.8		382.5		
Série 5		1: 10.6x ↓	Série 6		1: 9.3 ↓
		2: 10.7x ←		2: 10.3x ↓	
		3: 9.0 ↖		3: 9.2 →	3: 9.2 →
	4: 8.7 ↗		4: 9.2 ↗	4: 9.2 ↗	
	5: 10.8x ↓		5: 10.3x →	5: 10.3x →	
	6: 9.4 ↑		6: 9.1 ←	6: 9.1 ←	
	7: 9.6 ↗		7: 10.1 ↗	7: 10.1 ↗	
	8: 9.7 ↑		8: 10.0 ←	8: 10.0 ←	
	9: 10.2x ↑		9: 10.8x →	9: 10.8x →	
	10: 9.5 →		10: 9.0 ↖	10: 9.0 ↖	
	Series 98.2		Series 97.3		
	480.7		578.0		

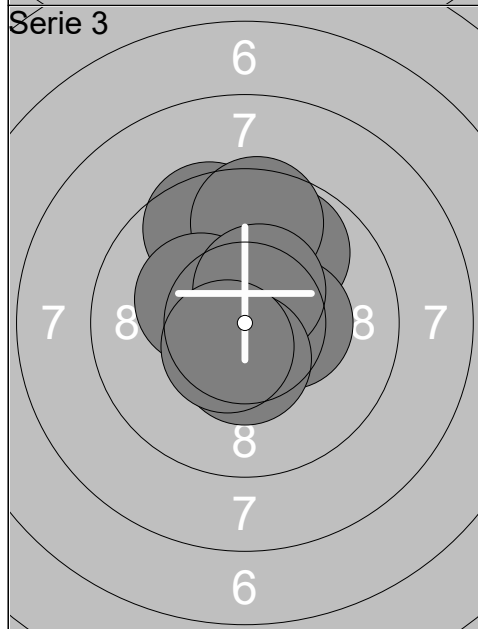
Relay	Lane	Nicklas Christensen	
Gundsøllille Megalink OPE	Aalborg Skyttekreds	MJ	
17.01.2020	GMO2020 Day 1	Gundsøllille OPEN 2020	
Série 1		1: 9.7 ↓ 2: 9.8 → 3: 10.3x ↑ 4: 9.0 → 5: 7.8 ↓ 6: 7.7 ↑ 7: 8.8 → 8: 9.3 ↑ 9: 8.8 ↓ 10: 8.7 ↖	Série 2
	Series 89.9		1: 9.9 ↓ 2: 8.1 ↑ 3: 8.4 ↖ 4: 9.0 ↑ 5: 10.5x → 6: 9.5 ↙ 7: 9.2 ↓ 8: 9.0 ↗ 9: 9.2 ↓ 10: 9.3 ↘
	89.9		Series 92.1
			182.0
Série 3		1: 9.7 ↑ 2: 9.7 ↗ 3: 9.5 ↗ 4: 7.3 ↖ 5: 10.1 ↓ 6: 9.3 ↖ 7: 9.6 ↖ 8: 10.0 ↓ 9: 9.7 ↗ 10: 7.8 ↖	Série 4
	Series 92.7		1: 8.8 ↘ 2: 6.8 → 3: 9.4 ↑ 4: 8.4 ↖ 5: 9.7 → 6: 10.4x ↙ 7: 9.4 ↑ 8: 8.8 ← 9: 10.1 ← 10: 9.8 ←
	274.7		Series 91.6
			366.3
Série 5		1: 10.3x ← 2: 8.0 ↑ 3: 9.7 ↓ 4: 9.3 ↗ 5: 10.3x ↖ 6: 8.9 ↓ 7: 7.6 ↓ 8: 8.9 ↑ 9: 10.4x ← 10: 9.7 ↗	Série 6
	Series 93.1		1: 9.1 → 2: 10.1 ↓ 3: 9.1 ↘ 4: 9.8 ↘ 5: 10.7x ↑ 6: 8.9 ← 7: 8.9 ← 8: 9.6 ↗ 9: 9.8 ← 10: 10.3x ↙
	459.4		Series 96.3
			555.7



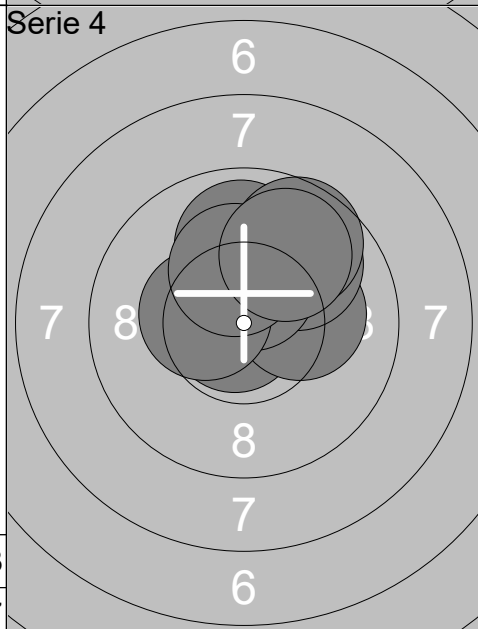
1:	9.6	↘
2:	9.1	↗
3:	10.3x	↗
4:	10.1	←
5:	10.0	→
6:	10.3x	←
7:	10.7x	↓
8:	10.2x	→
9:	9.8	→
10:	10.0	→
<b>Series</b>	<b>100.1</b>	
	<b>100.1</b>	



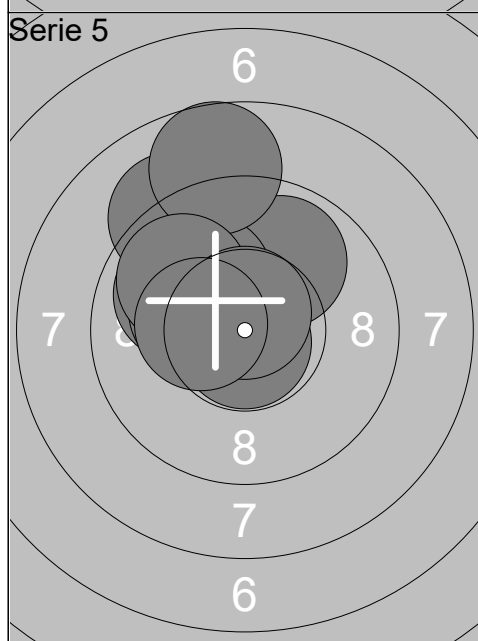
1:	10.2x	←
2:	10.3x	↑
3:	10.2x	↑
4:	9.7	↗
5:	9.9	↑
6:	8.9	↗
7:	10.4x	→
8:	10.2x	↖
9:	9.8	↑
10:	10.7x	↗
<b>Series</b>	<b>100.3</b>	
	<b>200.4</b>	



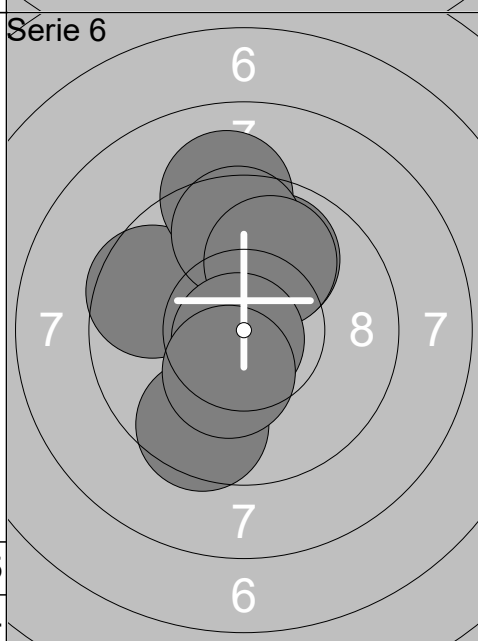
1:	10.2x	↑
2:	10.1	↑
3:	9.8	↗
4:	9.6	↑
5:	9.6	↑
6:	10.2x	↖
7:	10.4x	→
8:	10.5x	↗
9:	10.4x	↓
10:	10.5x	↘
<b>Series</b>	<b>101.3</b>	
	<b>301.7</b>	



1:	10.8x	←
2:	10.1	→
3:	9.8	↗
4:	9.9	↑
5:	10.2x	↑
6:	10.4x	↑
7:	9.6	↗
8:	10.4x	←
9:	10.2x	↑
10:	9.8	↗
<b>Series</b>	<b>101.2</b>	
	<b>402.9</b>	



1:	9.1	↖
2:	10.8x	↓
3:	9.9	↗
4:	9.9	↖
5:	10.2x	←
6:	10.1	↗
7:	8.7	↑
8:	9.8	↖
9:	10.7x	↑
10:	10.3x	←
<b>Series</b>	<b>99.5</b>	
	<b>502.4</b>	

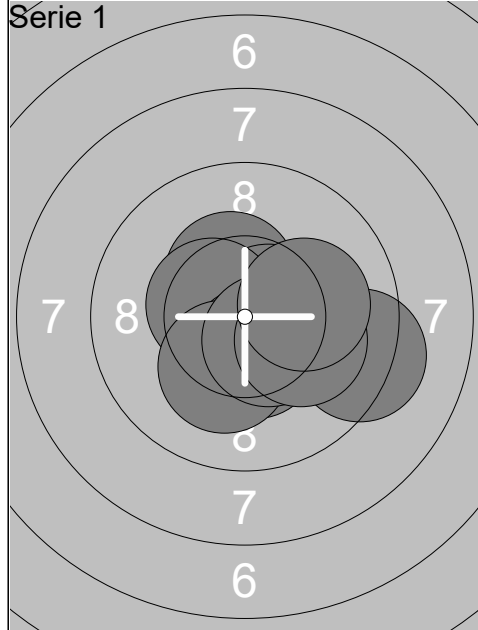


1:	9.9	↗
2:	10.1	↖
3:	10.0	↑
4:	9.5	↓
5:	9.6	↖
6:	9.1	↑
7:	9.6	↑
8:	10.0	↗
9:	10.8x	↘
10:	10.3x	↓
<b>Series</b>	<b>98.9</b>	
	<b>601.3</b>	

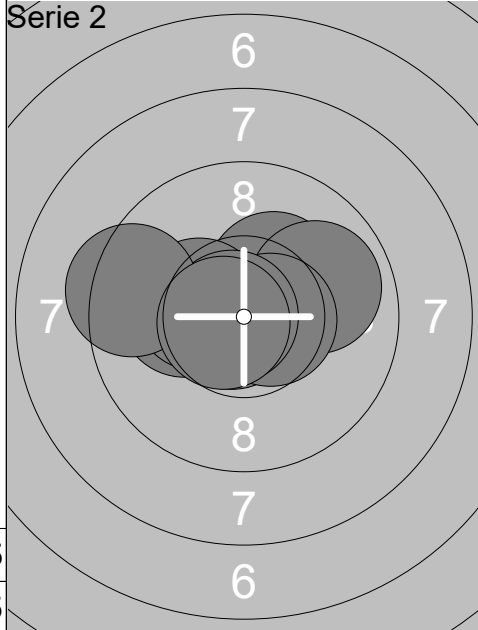
<p><b>Serie 1</b></p>	<p>1: 10.0 ↑</p> <p>2: 10.5x →</p> <p>3: 10.7x ←</p> <p>4: 9.9 ←</p> <p>5: 10.8x ←</p> <p>6: 10.5x ←</p> <p>7: 10.1 ↓</p> <p>8: 10.3x ↗</p> <p>9: 10.5x ↖</p> <p>10: 10.0 ↘</p> <p>Series 103.3</p> <p>103.3</p>	<p><b>Serie 2</b></p>	<p>1: 9.6 ↑</p> <p>2: 9.9 ↖</p> <p>3: 10.5x ↙</p> <p>4: 9.5 ↖</p> <p>5: 9.2 ←</p> <p>6: 10.3x →</p> <p>7: 10.6x ↙</p> <p>8: 10.4x ↓</p> <p>9: 10.1 ←</p> <p>10: 10.7x →</p> <p>Series 100.8</p> <p>204.1</p>
-----------------------	--	-----------------------	--

<p><b>Serie 3</b></p>	<p>1: 10.3x ←</p> <p>2: 9.7 ←</p> <p>3: 10.9x ↙</p> <p>4: 10.2x ↗</p> <p>5: 10.1 ↑</p> <p>6: 9.4 ↖</p> <p>7: 10.7x →</p> <p>8: 10.2x ↙</p> <p>9: 10.7x ↓</p> <p>10: 10.1 ↓</p> <p>Series 102.3</p> <p>306.4</p>	<p><b>Serie 4</b></p>	<p>1: 10.6x ↓</p> <p>2: 10.1 ↙</p> <p>3: 10.6x ←</p> <p>4: 9.7 ↖</p> <p>5: 9.9 ←</p> <p>6: 10.1 ↗</p> <p>7: 10.6x ↗</p> <p>8: 10.7x ↙</p> <p>9: 10.5x ↗</p> <p>10: 10.4x ↑</p> <p>Series 103.2</p> <p>409.6</p>
-----------------------	---	-----------------------	---

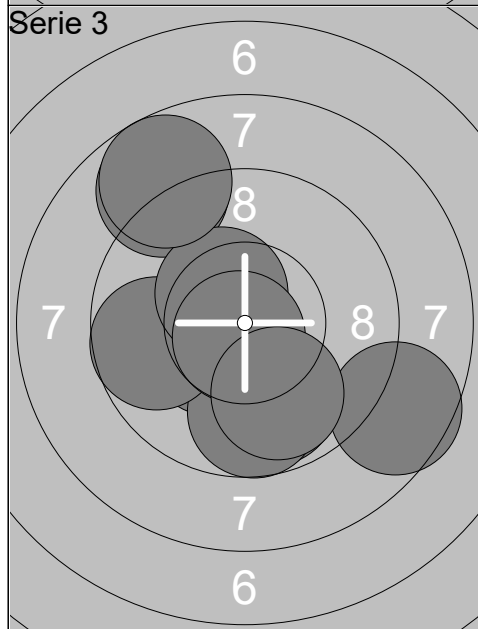
<p><b>Serie 5</b></p>	<p>1: 9.8 →</p> <p>2: 10.7x ↗</p> <p>3: 10.5x →</p> <p>4: 10.5x ↑</p> <p>5: 10.6x ↘</p> <p>6: 10.3x ↓</p> <p>7: 9.8 ↘</p> <p>8: 10.5x ↙</p> <p>9: 10.5x ↓</p> <p>10: 10.4x ←</p> <p>Series 103.6</p> <p>513.2</p>	<p><b>Serie 6</b></p>	<p>1: 10.6x ↙</p> <p>2: 10.2x ↘</p> <p>3: 10.5x ←</p> <p>4: 10.3x →</p> <p>5: 9.8 ↘</p> <p>6: 10.4x →</p> <p>7: 10.3x ↗</p> <p>8: 10.6x ↗</p> <p>9: 10.2x ↓</p> <p>10: 10.2x ↗</p> <p>Series 103.1</p> <p>616.3</p>
-----------------------	---	-----------------------	---



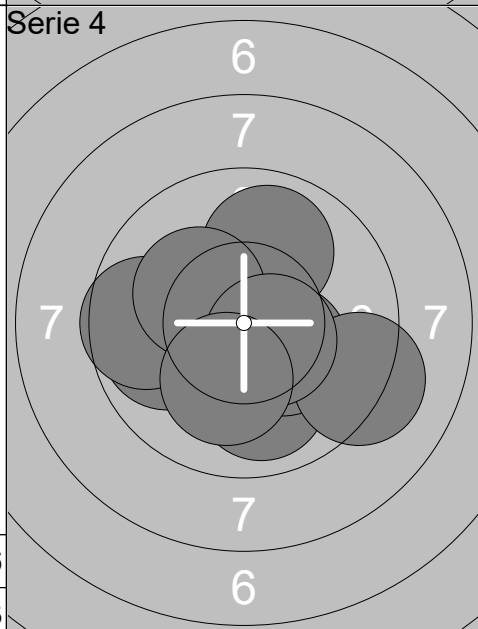
1:	10.5x	↙
2:	10.4x	↗
3:	10.6x	→
4:	10.4x	↙
5:	10.4x	↓
6:	9.3	→
7:	10.2x	↓
8:	10.5x	↓
9:	10.1	→
10:	10.1	→
<b>Series</b>		<b>102.5</b>
		<b>102.5</b>



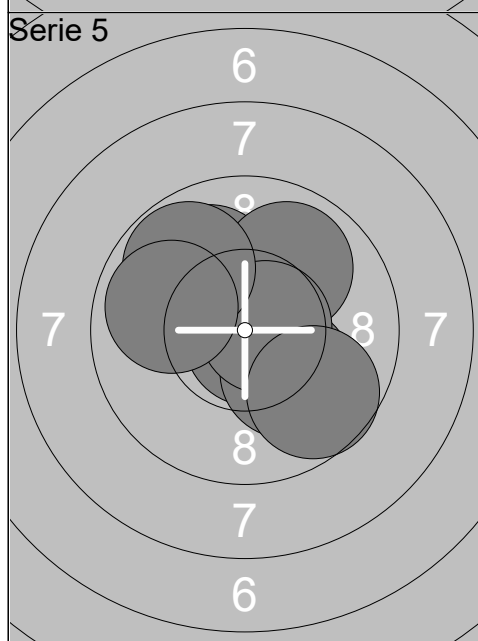
1:	10.5x	→
2:	10.3x	↗
3:	10.8x	↙
4:	9.9	→
5:	10.1	←
6:	10.3x	↙
7:	10.5x	→
8:	10.8x	↙
9:	9.4	←
10:	10.6x	↙
<b>Series</b>		<b>103.2</b>
		<b>205.7</b>



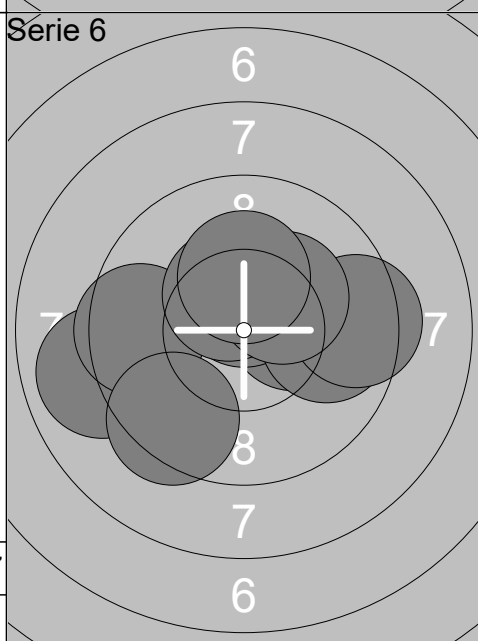
1:	10.3x	↙
2:	9.8	↓
3:	8.6	↘
4:	9.7	↓
5:	9.7	←
6:	8.8	↗
7:	10.4x	↗
8:	10.7x	↓
9:	8.7	↗
10:	9.9	↓
<b>Series</b>		<b>96.6</b>
		<b>302.3</b>



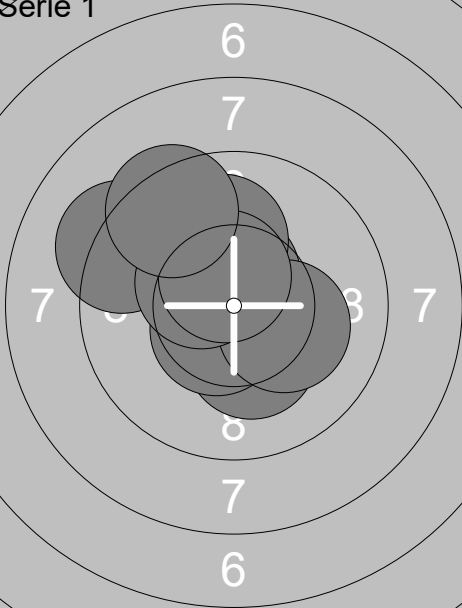
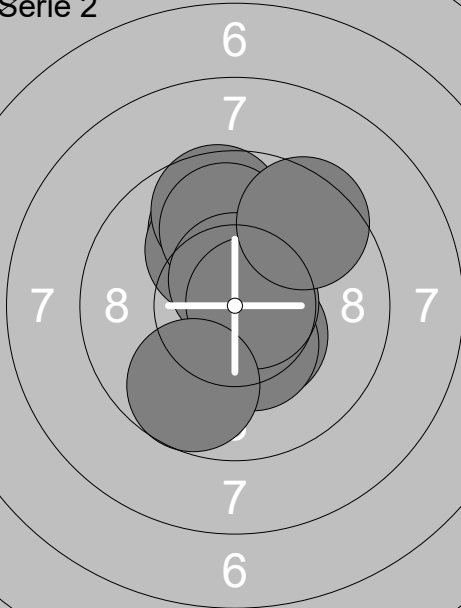
1:	9.9	↓
2:	10.3x	↘
3:	9.8	←
4:	10.6x	↙
5:	9.2	↘
6:	9.9	↗
7:	9.6	←
8:	10.2x	↙
9:	10.5x	↘
10:	10.1	↓
<b>Series</b>		<b>100.1</b>
		<b>402.4</b>

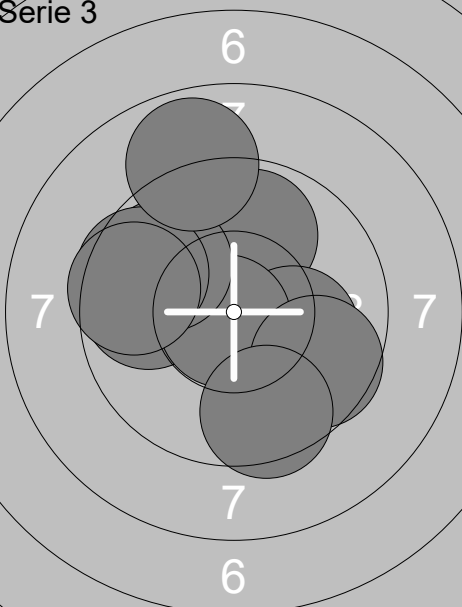
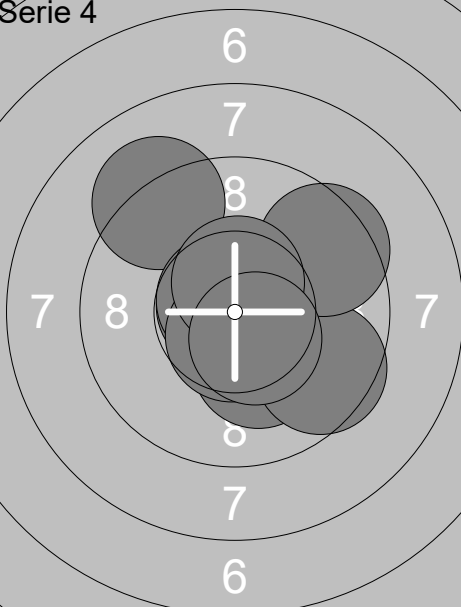


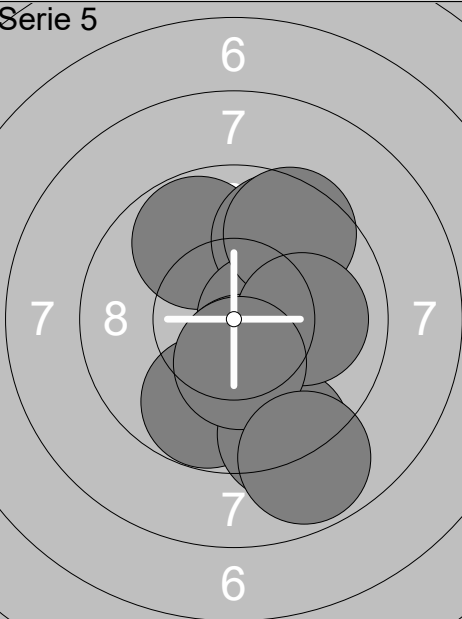
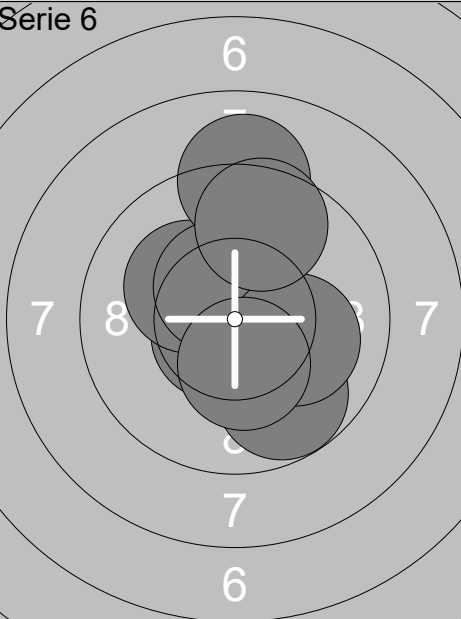
1:	10.8x	↗
2:	10.0	↗
3:	9.9	↗
4:	10.1	↙
5:	10.8x	↘
6:	10.1	↓
7:	10.6x	→
8:	9.8	↗
9:	9.7	↘
10:	9.9	←
<b>Series</b>		<b>101.7</b>
		<b>504.1</b>

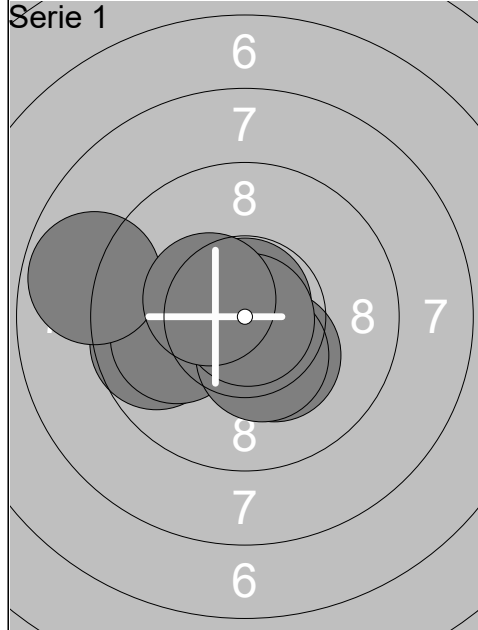


1:	8.9	←
2:	10.2x	→
3:	9.5	←
4:	10.5x	↑
5:	9.8	→
6:	9.4	→
7:	10.4x	↗
8:	10.2x	↗
9:	9.4	↙
10:	10.2x	↑
<b>Series</b>		<b>98.5</b>
		<b>602.6</b>

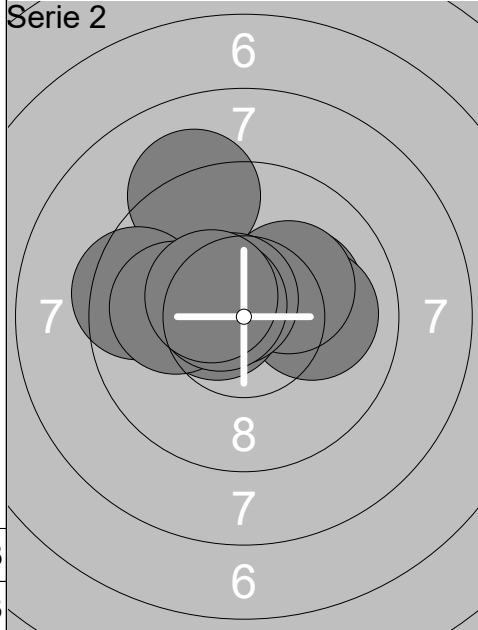
<p><b>Serie 1</b></p> 	<p>1: 10.8x ←</p> <p>2: 9.2 ↖</p> <p>3: 10.5x ↑</p> <p>4: 10.1 ↑</p> <p>5: 10.2x ↓</p> <p>6: 10.5x ↙</p> <p>7: 10.2x →</p> <p>8: 10.4x ↗</p> <p>9: 10.5x ↑</p> <p>10: 9.4 ↗</p> <p>Series 101.8</p> <p>101.8</p>	<p><b>Serie 2</b></p> 	<p>1: 9.9 ↑</p> <p>2: 10.4x ↓</p> <p>3: 10.3x ↓</p> <p>4: 10.1 ↑</p> <p>5: 9.6 ↑</p> <p>6: 9.9 ↑</p> <p>7: 10.6x ↑</p> <p>8: 10.7x →</p> <p>9: 9.7 ↓</p> <p>10: 9.5 ↗</p> <p>Series 100.7</p> <p>202.5</p>
--	--	--	--

<p><b>Serie 3</b></p> 	<p>1: 9.8 ←</p> <p>2: 9.8 ↑</p> <p>3: 10.1 →</p> <p>4: 10.7x ↙</p> <p>5: 9.8 ↗</p> <p>6: 9.6 ↓</p> <p>7: 9.5 ↓</p> <p>8: 9.6 ↖</p> <p>9: 8.8 ↑</p> <p>10: 9.5 ←</p> <p>Series 97.2</p> <p>299.7</p>	<p><b>Serie 4</b></p> 	<p>1: 10.2x ↓</p> <p>2: 10.6x →</p> <p>3: 10.7x ↖</p> <p>4: 9.1 ↗</p> <p>5: 10.7x ↗</p> <p>6: 9.6 ↓</p> <p>7: 10.6x ↓</p> <p>8: 9.5 ↗</p> <p>9: 10.5x ↑</p> <p>10: 10.5x ↓</p> <p>Series 102.0</p> <p>401.7</p>
---	---	---	---

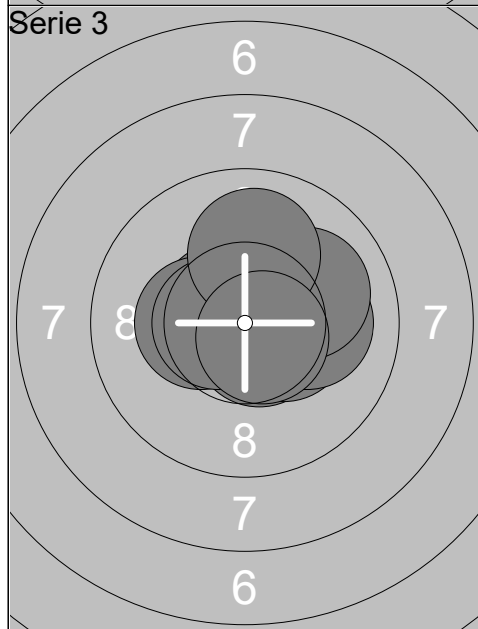
<p><b>Serie 5</b></p> 	<p>1: 9.8 ↓</p> <p>2: 9.8 ↗</p> <p>3: 9.7 ↗</p> <p>4: 10.5x →</p> <p>5: 9.5 ↗</p> <p>6: 10.4x ↓</p> <p>7: 9.2 ↓</p> <p>8: 10.0 →</p> <p>9: 10.3x ↓</p> <p>10: 8.8 ↓</p> <p>Series 98.0</p> <p>499.7</p>	<p><b>Serie 6</b></p> 	<p>1: 10.5x ↓</p> <p>2: 10.6x ↙</p> <p>3: 10.8x ↑</p> <p>4: 9.7 ↓</p> <p>5: 10.2x ↖</p> <p>6: 10.4x ↗</p> <p>7: 10.1 →</p> <p>8: 9.1 ↑</p> <p>9: 9.6 ↑</p> <p>10: 10.3x ↓</p> <p>Series 101.3</p> <p>601.0</p>
--	---	--	--



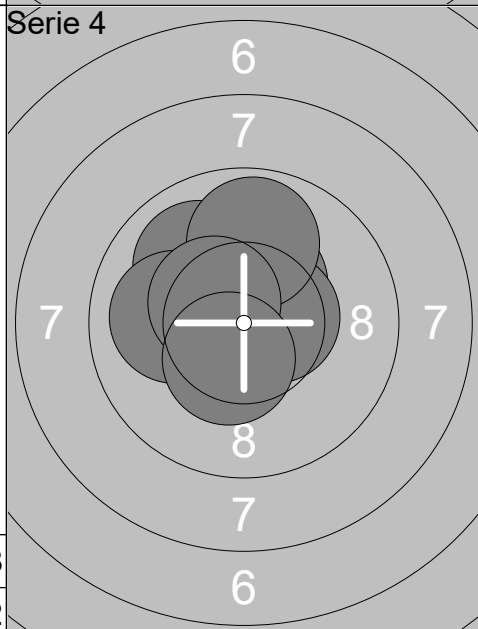
1:	9.7	←
2:	10.6x	↖
3:	10.5x	↖
4:	10.0	←
5:	10.8x	↑
6:	8.8	←
7:	10.3x	↘
8:	10.3x	↘
9:	10.9x	↘
10:	10.4x	↖
<b>Series</b>	<b>102.3</b>	
	<b>102.3</b>	



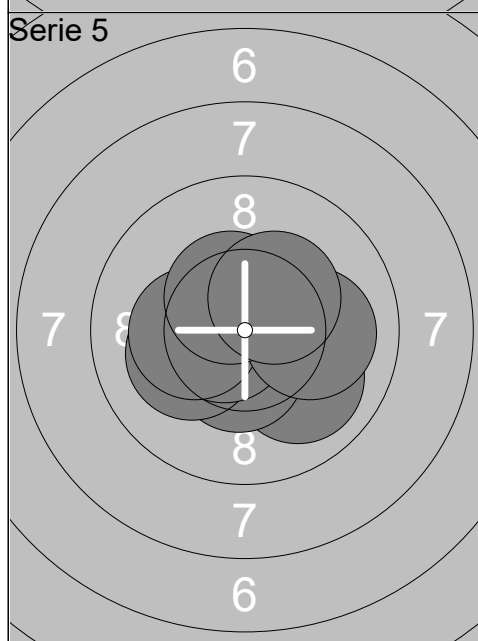
1:	10.1	→
2:	10.0	→
3:	10.6x	↖
4:	10.2x	↗
5:	9.2	↑
6:	9.4	←
7:	10.0	←
8:	10.6x	↖
9:	10.6x	↖
10:	10.4x	↖
<b>Series</b>	<b>101.1</b>	
	<b>203.4</b>	



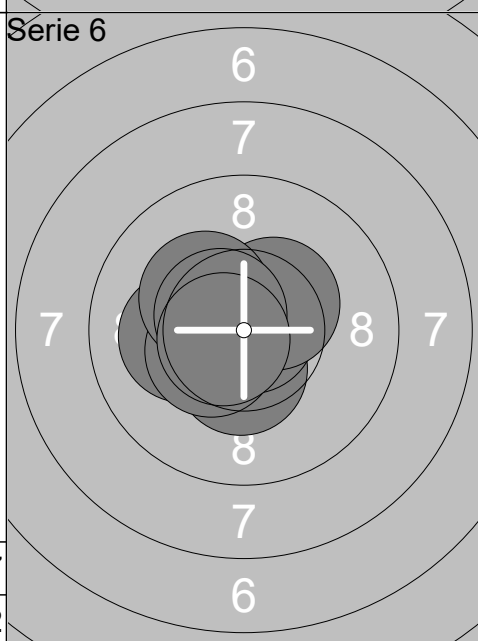
1:	10.6x	↖
2:	10.6x	↘
3:	10.4x	→
4:	10.6x	↖
5:	10.1	→
6:	10.3x	↖
7:	10.0	→
8:	10.6x	↖
9:	10.0	↑
10:	10.6x	↘
<b>Series</b>	<b>103.8</b>	
	<b>307.2</b>	



1:	10.3x	↑
2:	10.4x	↗
3:	10.0	↖
4:	10.0	←
5:	10.7x	↖
6:	10.8x	↓
7:	10.5x	→
8:	9.8	↑
9:	10.4x	↖
10:	10.4x	↘
<b>Series</b>	<b>103.3</b>	
	<b>410.5</b>	



1:	10.0	↘
2:	10.5x	↘
3:	10.1	←
4:	10.6x	↖
5:	10.7x	↗
6:	10.6x	↖
7:	10.3x	↖
8:	10.1	→
9:	10.5x	↖
10:	10.3x	↗
<b>Series</b>	<b>103.7</b>	
	<b>514.2</b>	



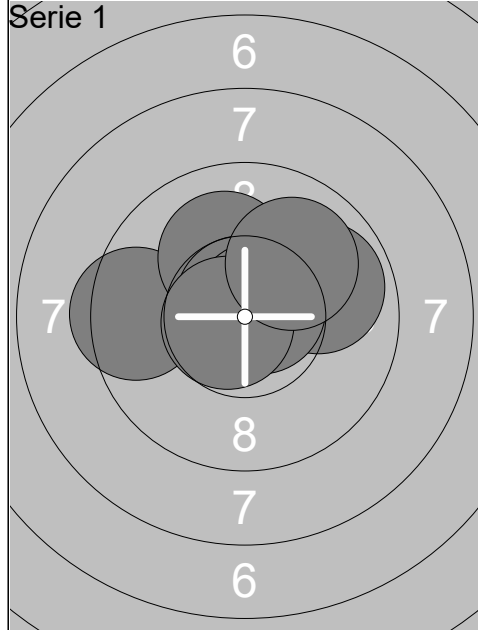
1:	10.7x	↘
2:	10.4x	↓
3:	10.6x	↗
4:	10.1	←
5:	10.8x	→
6:	10.4x	↖
7:	10.4x	↗
8:	10.2x	↖
9:	10.5x	↖
10:	10.6x	↖
<b>Series</b>	<b>104.7</b>	
	<b>618.9</b>	



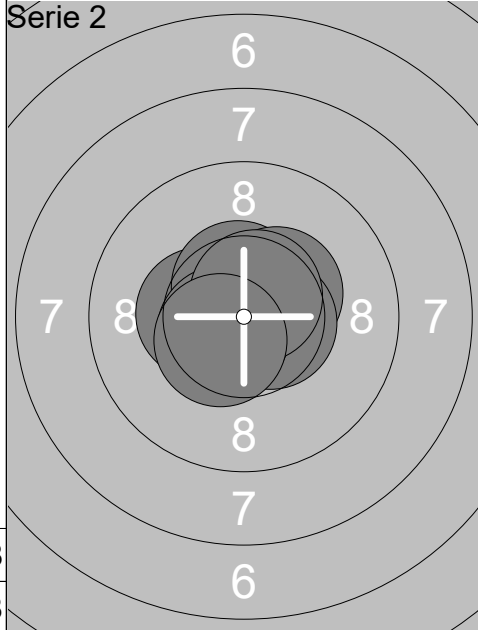
Relay <b>2</b>	Lane <b>20</b>	<b>Vitor Lindgren</b>	
-------------------	-------------------	-----------------------	--

Gundsøllille Megalink OPE	Sjöbo Ungdomsskyttegilde	MJ	
---------------------------	--------------------------	----	--

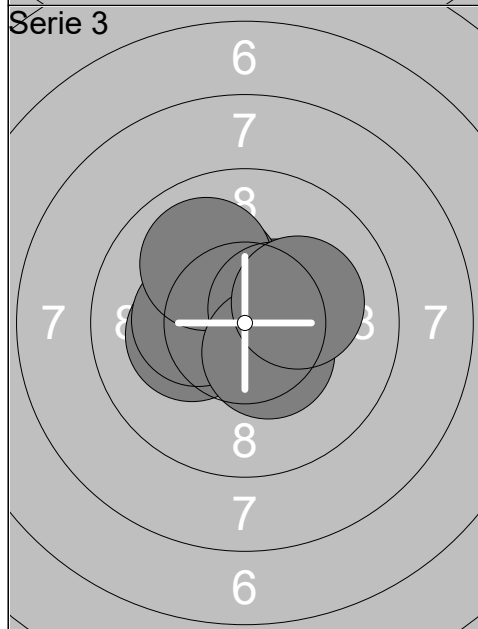
17.01.2020	GMO2020 Day 1	Gundsøllille OPEN 2020	
------------	---------------	------------------------	--



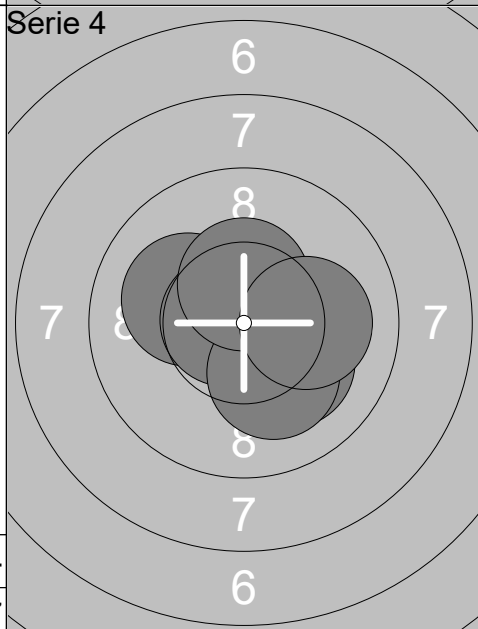
1:	10.6x ↗
2:	10.4x ↗
3:	10.3x ↗
4:	9.4 ←
5:	10.1 ↗
6:	9.9 →
7:	10.7x ↗
8:	10.7x ↗
9:	10.7x ←
10:	10.0 ↗
Series	102.8
	102.8



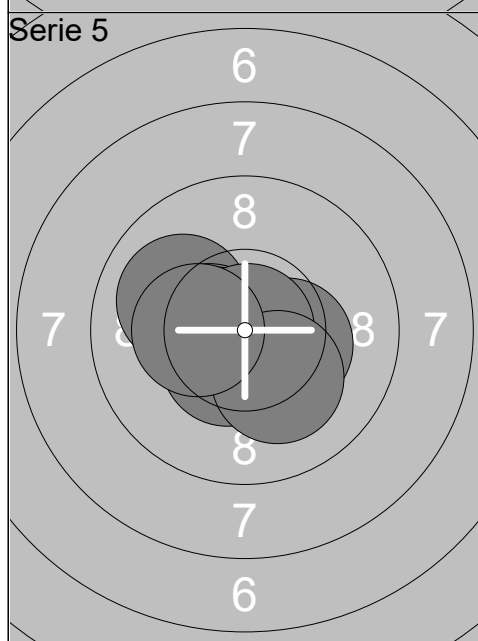
1:	10.8x ↗
2:	10.5x ↗
3:	10.4x ←
4:	10.5x ↗
5:	10.6x ↗
6:	10.4x ↗
7:	10.6x →
8:	10.6x ↙
9:	10.6x ↗
10:	10.5x ↙
Series	105.5
	208.3



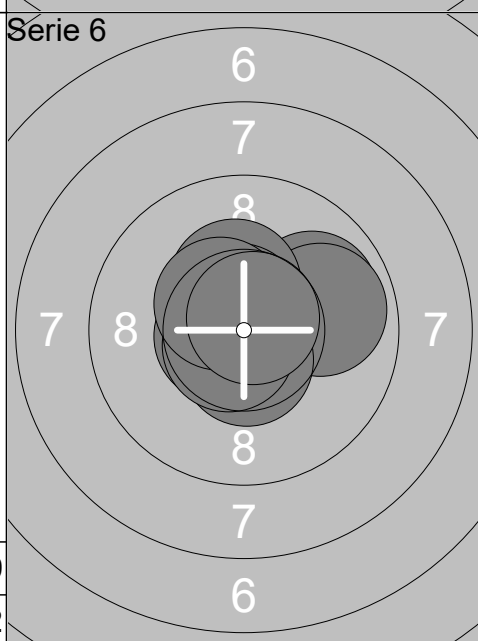
1:	10.5x ↗
2:	10.2x ↗
3:	10.7x →
4:	10.2x ←
5:	10.4x ↗
6:	10.3x ←
7:	10.0 ↗
8:	10.5x ↗
9:	10.4x ↘
10:	10.2x →
Series	103.4
	311.7



1:	10.7x →
2:	10.1 ↘
3:	10.6x →
4:	10.2x →
5:	10.6x ↗
6:	10.1 ←
7:	10.7x ←
8:	10.1 ↘
9:	10.4x ↗
10:	10.1 →
Series	103.6
	415.3

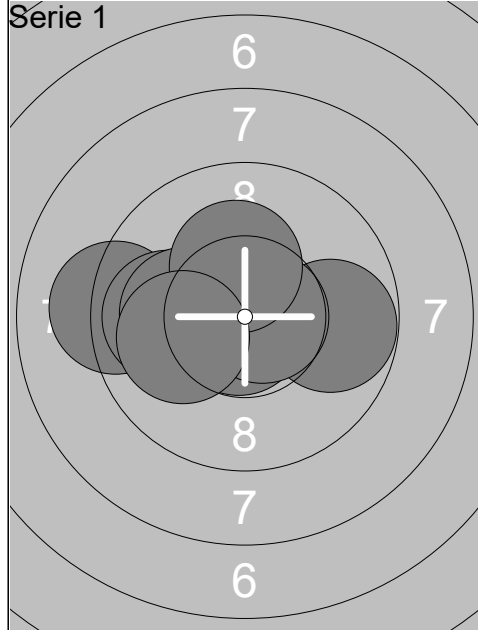


1:	10.3x ↘
2:	10.0 ←
3:	10.4x ←
4:	10.3x →
5:	10.5x ←
6:	10.5x ↘
7:	10.5x ↘
8:	10.9x →
9:	10.2x ↘
10:	10.3x ←
Series	103.9
	519.2

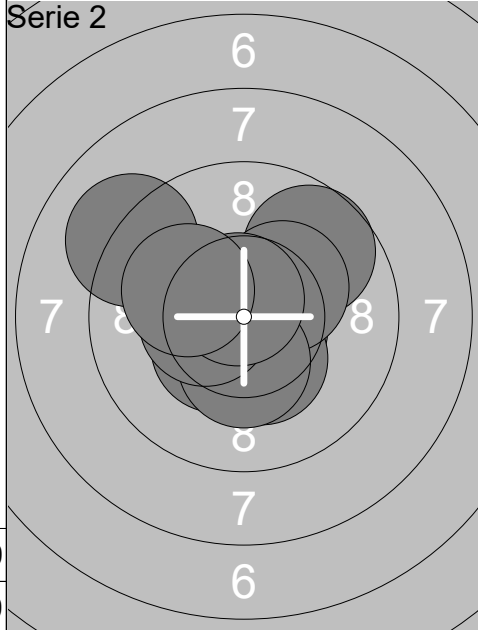


1:	9.9 →
2:	9.9 →
3:	10.6x ↘
4:	10.5x ↘
5:	10.3x ↗
6:	10.6x ←
7:	10.6x ↗
8:	10.6x ↙
9:	10.4x ↗
10:	10.7x ↗
Series	104.1
	623.3

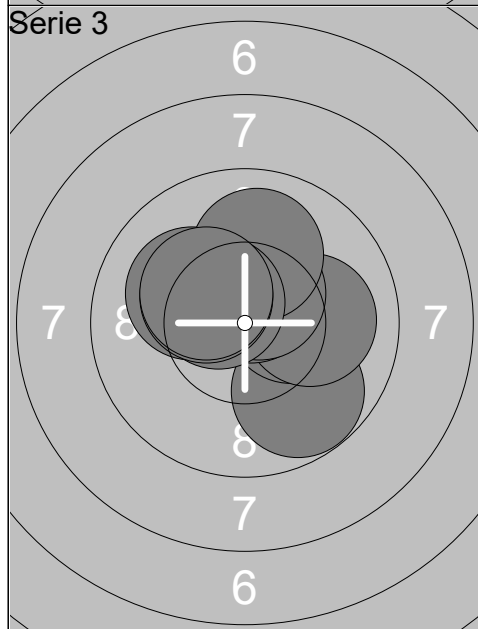
Gundsøllille Megalink Open 2020



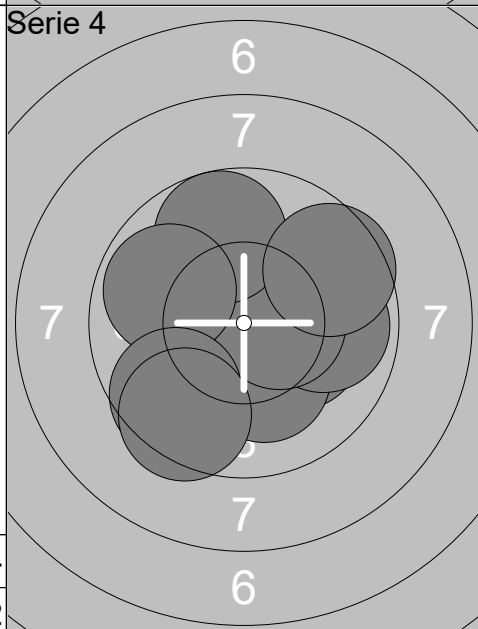
1:	10.7x ↘
2:	10.6x ←
3:	10.7x ←
4:	9.7 →
5:	9.2 ←
6:	9.9 ←
7:	10.1 ←
8:	10.7x →
9:	10.2x ↑
10:	10.1 ←
<b>Series</b>	<b>101.9</b>
	<b>101.9</b>



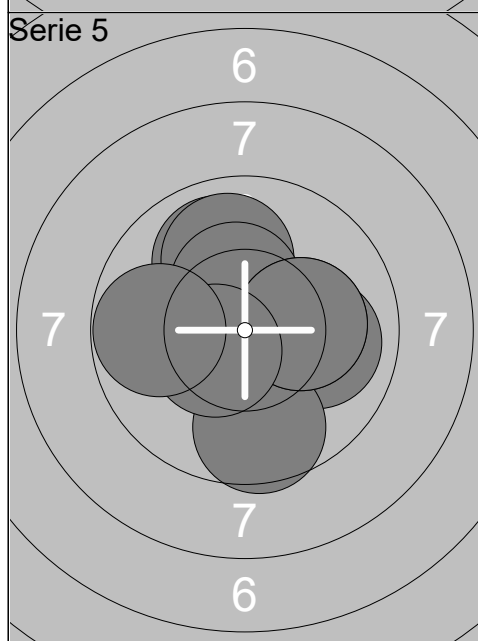
1:	10.4x ↘
2:	10.6x ↘
3:	9.7 ↗
4:	10.3x ↘
5:	10.3x ↗
6:	10.3x ↓
7:	10.4x ←
8:	10.7x ↑
9:	9.1 ↖
10:	10.1 ↖
<b>Series</b>	<b>101.9</b>
	<b>203.8</b>



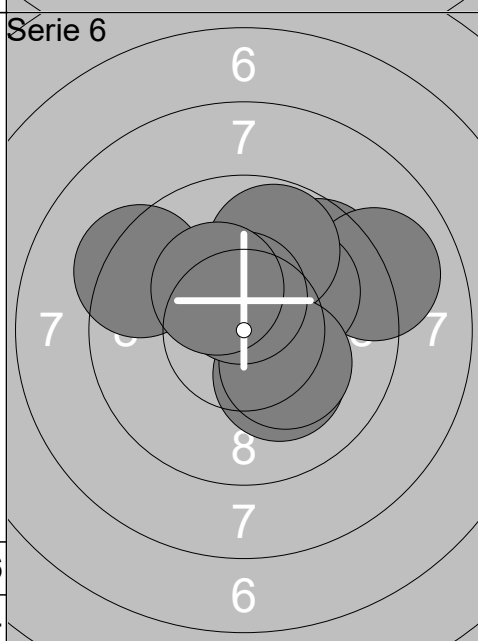
1:	9.7 ↘
2:	10.3x →
3:	10.1 ↖
4:	10.1 →
5:	10.6x ↑
6:	10.5x ↗
7:	10.0 ↑
8:	10.5x ↖
9:	10.3x ↖
10:	10.3x ↖
<b>Series</b>	<b>102.4</b>
	<b>306.2</b>



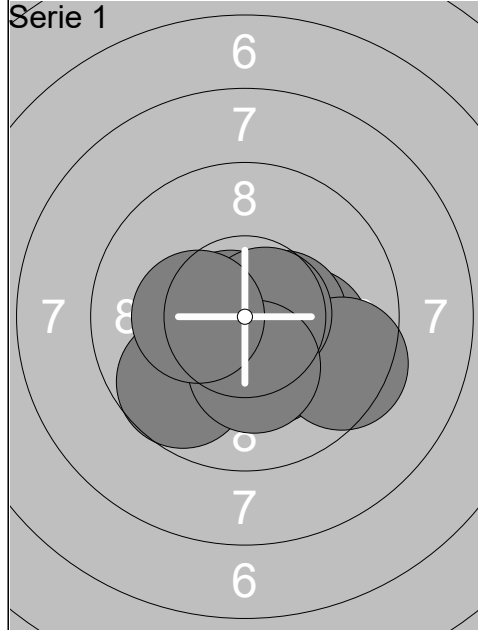
1:	10.9x ↑
2:	10.1 →
3:	10.1 ↓
4:	9.9 →
5:	10.5x →
6:	9.7 ↑
7:	9.8 ↖
8:	9.6 ↘
9:	9.6 ↗
10:	9.4 ↘
<b>Series</b>	<b>99.6</b>
	<b>405.8</b>



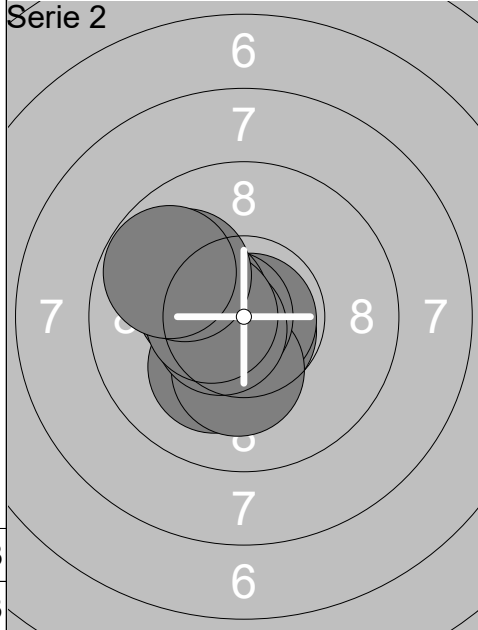
1:	10.3x →
2:	10.0 →
3:	9.6 ↓
4:	9.9 ↑
5:	9.9 ↑
6:	10.4x ↑
7:	10.2x →
8:	10.1 →
9:	10.4x ↘
10:	9.8 ←
<b>Series</b>	<b>100.6</b>
	<b>506.4</b>



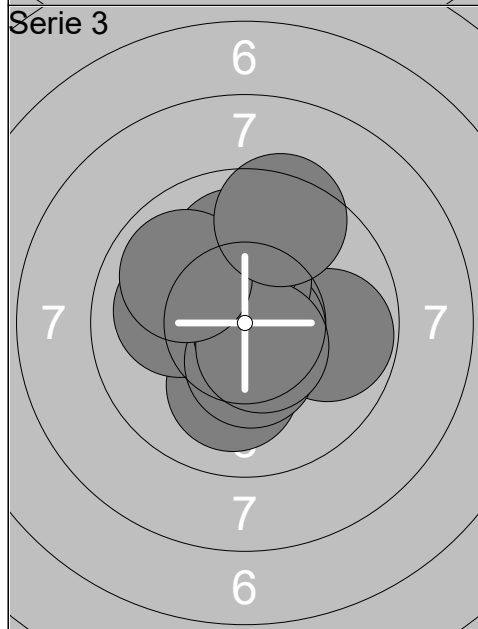
1:	10.3x ↑
2:	9.3 ↖
3:	9.6 ↗
4:	10.1 ↘
5:	9.0 →
6:	10.0 ↗
7:	9.8 ↑
8:	10.2x ↘
9:	10.5x ↑
10:	10.3x ↖
<b>Series</b>	<b>99.1</b>
	<b>605.5</b>



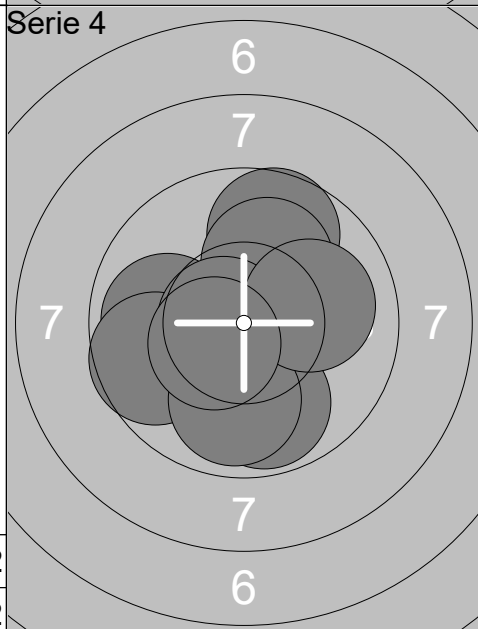
1:	10.3x ↘
2:	10.7x ←
3:	10.1 →
4:	10.4x ↓
5:	9.7 ↘
6:	10.5x →
7:	9.4 →
8:	10.7x →
9:	10.2x ↓
10:	10.3x ←
<b>Series</b>	<b>102.3</b>
	<b>102.3</b>



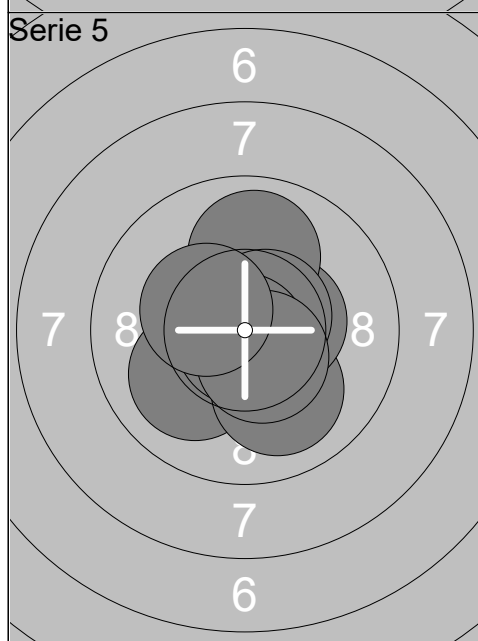
1:	10.1 ↘
2:	10.7x ↓
3:	10.8x ⇒
4:	10.2x ↓
5:	10.7x ←
6:	10.3x ←
7:	10.6x ←
8:	10.5x ←
9:	10.0 ↖
10:	9.8 ↖
<b>Series</b>	<b>103.7</b>
	<b>206.0</b>



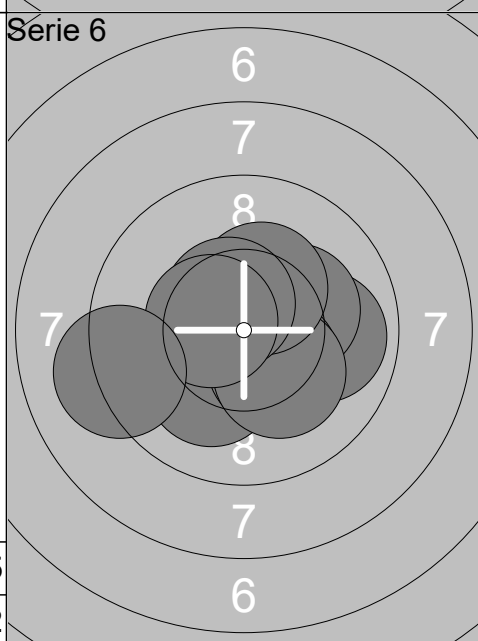
1:	10.1 ↓
2:	9.8 →
3:	10.0 ←
4:	10.4x ↓
5:	10.7x ⇒
6:	10.4x ↑
7:	10.0 ↑
8:	10.5x ↓
9:	9.9 ↖
10:	9.4 ↑
<b>Series</b>	<b>101.2</b>
	<b>307.2</b>



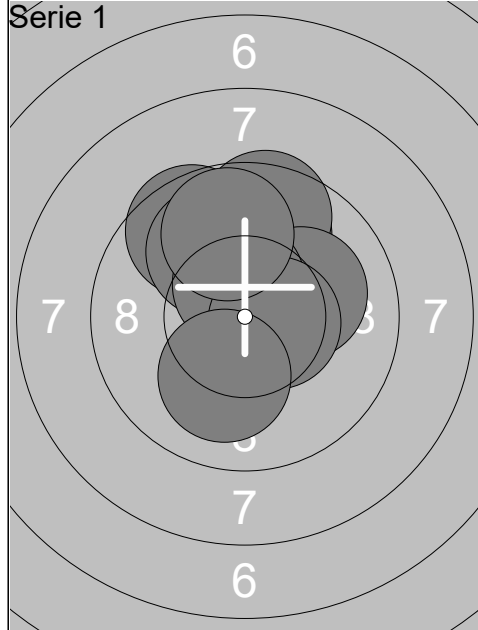
1:	10.5x ←
2:	9.7 ↑
3:	10.1 ↑
4:	9.8 ↓
5:	9.9 ←
6:	9.6 ←
7:	9.9 ↓
8:	10.6x ←
9:	10.0 →
10:	10.4x ←
<b>Series</b>	<b>100.5</b>
	<b>407.7</b>



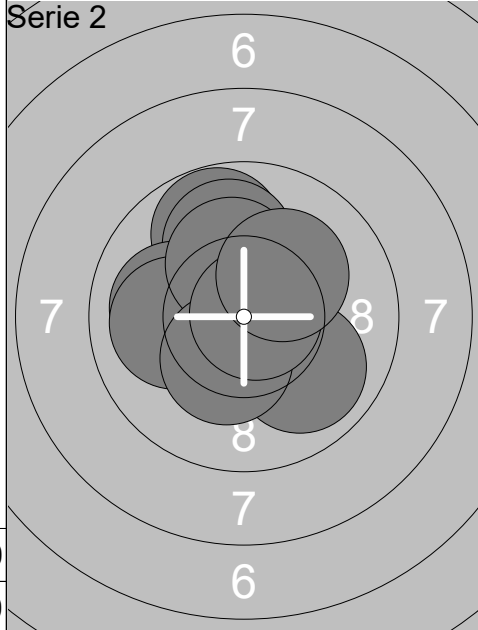
1:	10.4x ↙
2:	10.0 ↙
3:	10.0 ↓
4:	10.6x →
5:	10.4x →
6:	9.9 ↑
7:	10.6x ↗
8:	10.8x ↓
9:	10.5x ↓
10:	10.3x ↖
<b>Series</b>	<b>103.5</b>
	<b>511.2</b>



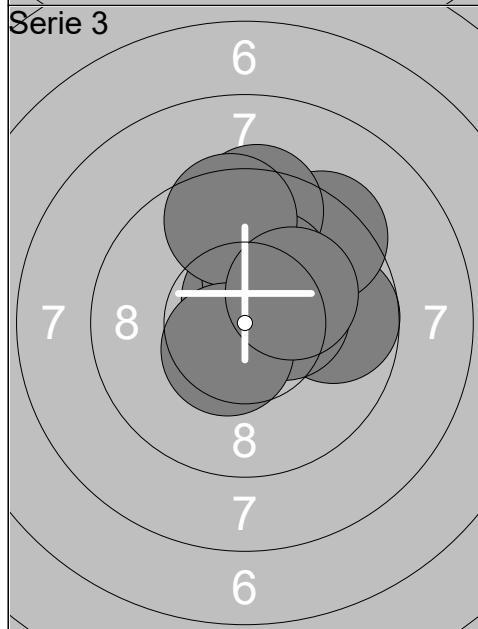
1:	10.1 ↘
2:	9.9 →
3:	10.7x ⇒
4:	10.2x ⇒
5:	10.3x ↘
6:	10.2x ↘
7:	10.3x ↑
8:	10.5x ↗
9:	10.5x ←
10:	9.2 ←
<b>Series</b>	<b>101.9</b>
	<b>613.1</b>



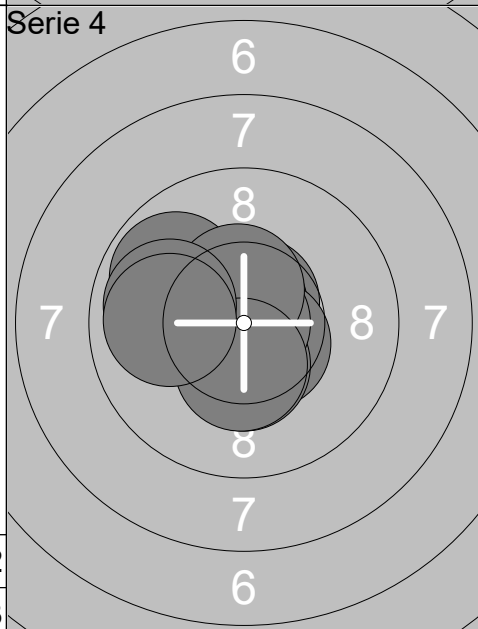
1:	9.6	↖
2:	9.9	↖
3:	9.8	↗
4:	10.1	↗
5:	9.6	↗
6:	10.1	→
7:	10.5x	↗
8:	10.5x	→
9:	9.8	↗
10:	10.1	↘
<b>Series</b>		<b>100.0</b>
		<b>100.0</b>



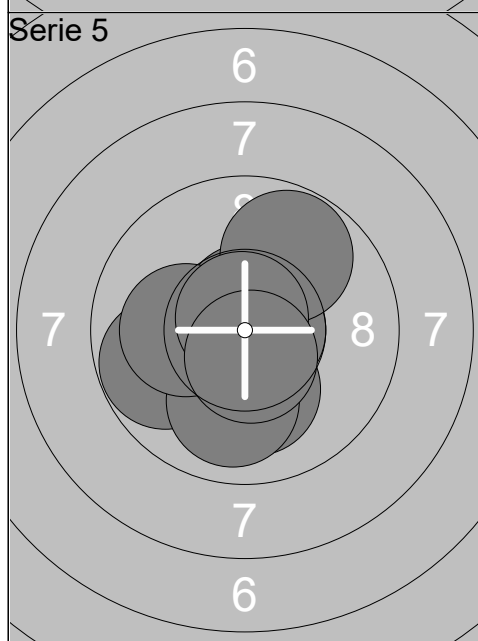
1:	9.7	↗
2:	10.2x	←
3:	9.9	↗
4:	10.0	←
5:	9.9	↘
6:	10.0	←
7:	10.2x	↗
8:	10.3x	↘
9:	10.8x	→
10:	10.1	↗
<b>Series</b>		<b>101.1</b>
		<b>201.1</b>



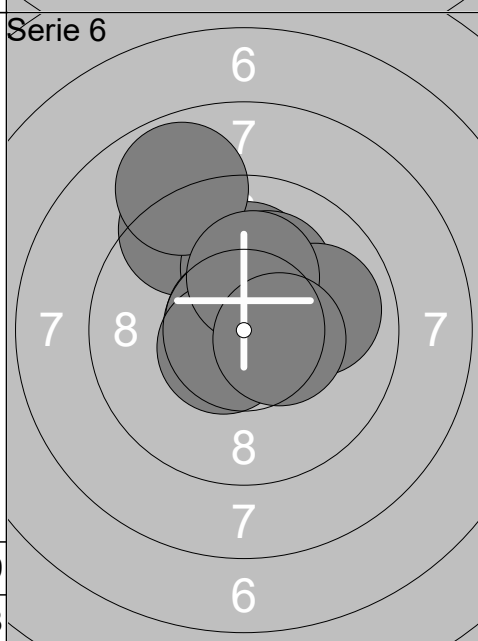
1:	9.7	→
2:	9.4	↗
3:	10.6x	↗
4:	10.4x	→
5:	9.4	↗
6:	10.2x	↗
7:	10.3x	↗
8:	9.5	↗
9:	10.5x	↘
10:	10.2x	↗
<b>Series</b>		<b>100.2</b>
		<b>301.3</b>



1:	10.6x	↗
2:	9.8	↖
3:	10.7x	↗
4:	10.5x	↘
5:	10.4x	↘
6:	10.9x	
7:	10.5x	↗
8:	10.4x	↘
9:	9.9	←
10:	9.9	←
<b>Series</b>		<b>103.6</b>
		<b>404.9</b>



1:	10.6x	↗
2:	10.5x	↘
3:	9.8	←
4:	10.1	↘
5:	10.0	↘
6:	10.1	←
7:	10.7x	→
8:	9.8	↗
9:	10.7x	↗
10:	10.6x	↘
<b>Series</b>		<b>102.9</b>
		<b>507.8</b>



1:	9.4	↖
2:	10.6x	↗
3:	10.1	↗
4:	10.1	↗
5:	10.7x	↖
6:	10.6x	↖
7:	9.9	→
8:	8.8	↗
9:	10.2x	↗
10:	10.4x	→
<b>Series</b>		<b>100.8</b>
		<b>608.6</b>